

505-21B

Pillar type tap



Elbow action. Square type. 1/4- turn ceramic disc. Blue indice. 1/2" BSP male inlet

[SANS 226 TYPE 2](#)

Includes

- * Pillar tap
- * Flanged backnut

Specific Features and Benefits

- * 1/4-turn ceramic disk headpart (*Clockwise closing*)
- * For a green option simply buy and Install a Pressure compensating flow restrictor (**P-WS/6, P-WS/6-NOLIME**)
- * Chrome plated

Spare parts

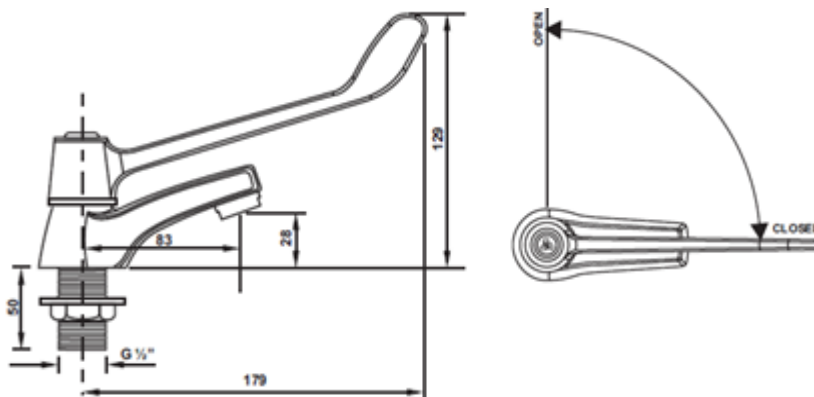
- * Blue headpart complete **S-21-CLOCK**
- * Blue headpart only **S-21-1CLOCK**
- * Aerator **C-M24X1**
- * Connection backnut **088-15**



Weight

825gr

Line drawing



SANS specifications

SANS226, Type 2 (** specific extracts from the applicable SANS specifications and regulations to which such products will have to adhere to, to bear the SABS approved mark)

Design:

The type 2 tap shall be designed to operate on a static water supply pressure of 2,000kPa;
It shall furthermore be designed to ensure that at a dynamic supply pressure of 50kPa, the flow rate of the tap shall not be less than –

Table 1 — Flow rates for taps

1	2	3	4	5
Class of tap	Dynamic supply pressure	Nominal size mm		
		15	20	25
	kPa	Flow rate L/m		
1	10 ⁺¹ ₀	9	15	23
2	50 ⁺⁵ ₀	9	18	25