



**bendi**

Clip-Fit System

## bendi COLOUR CHART

### Solid

B01

BLACK

B02

BROWN

B03

BLUE

B04

DARK GREY

B05

LIGHT GREY

### Wood Foiled

B06

BEECH

B07

CHERRY

B08

MAPLE

B09

MAHOGANY

B10

OAK

Kirk Marketing reserves the right in its absolute discretion to vary any specification or design, and to supply products which are in our sole opinion, equivalent to those being offered to the purchaser.

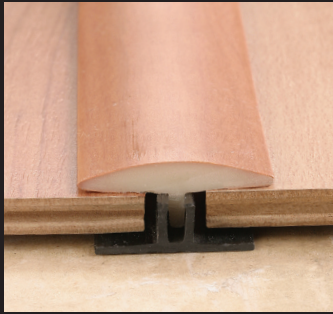
Errors and omissions excepted

# BENDI CLIP-FIT SYSTEM

## Curvable profiles for multi-shaped flooring

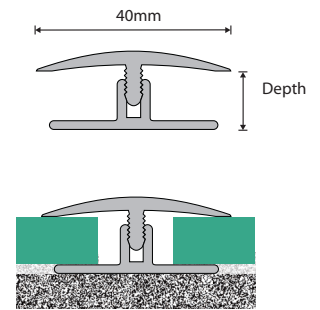
The Bendi profiles are PVC covers that are unique in that when they are heated using hot water or a heat gun are able to form into curves of a minimum radius of between 40cm to 80cm dependant on the profile. The Bendi profiles are made up of two parts the rigid PVC base that is formed by bending the teeth cuts and nailing the base into position. The top which fits into the base is formed by applying heat to the profile, which in turn is shaped into the shape required. Once the top bendi cover cools down it will keep the shape it has been bent into. The cover can be reused and reshaped into a different shape if required. If the covers are correctly fitted they can be used as a retrofit without the base, however we do not advise this method, we always suggest you use the base in conjunction with the cover. The Bendi profile covers have 5 plain colours and 5 foiled colours.

### BENDI COVER CLIP



CODE	SIZE (Width x Depth)	DESCRIPTION
BCC8	40mm x (8 - 12mm)	8 - 12mm Bendi Expansion Cover Clip for Laminate floors
BCC14	40mm x (14 - 19mm)	14 - 19mm Bendi Expansion Cover clip for Wood floors

The Bendi Cover clip is a curvable profile used as an expansion cover for multi-shaped floor for same level floors such as laminate to laminate or wood to wood floors. The Bendi Cover can form to a minimum radius of 40cm and is available in 5 plain colours as well as 5 foiled colours. The Bendi Cover clip is fitted in conjunction with its different height PVC bases, 8mm and 14mm.

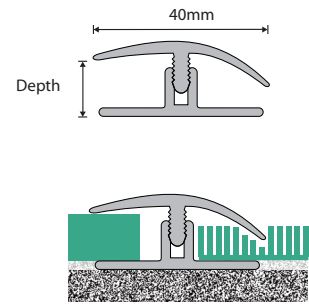


### BENDI TRANSITION CLIP



CODE	SIZE (Width x Depth)	DESCRIPTION
BTC8	40mm x (8 - 12mm)	8 - 12mm Bendi Transition Cover Clip for Laminate floors
BTC14	40mm x (14 - 19mm)	14 - 19mm Bendi Transition Cover Clip for Wood floors

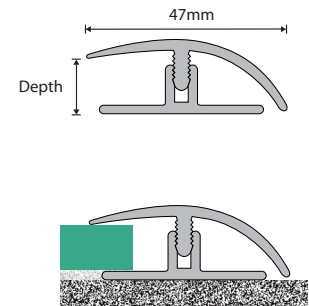
The Bendi Transition clip is a curvable profile used as a transition cover for multi-shaped floor for different level floors such as laminate to carpet, wood to laminate, wood to tile, etc. The Bendi Transition can form to a minimum radius of 40cm and is available in 5 plain colours as well as 5 foiled colours. The Bendi Transition clip is fitted in conjunction with its different height PVC bases, 8mm and 14mm.



### BENDI RAMP CLIP

CODE	SIZE (Width x Depth)	DESCRIPTION
BRC8	47mm x (8 - 12mm)	8 - 12mm Bendi Ramp Cover Clip for Laminate floors
BRC14	47mm x (14 - 19mm)	14 - 19mm Bendi Ramp Cover Clip for Wood floors

The Bendi Ramp clip is a curvable profile used as a ramp cover for multi-shaped floor for different level floors such as laminate to vinyl, laminate to screed or wood to carpet. The Bendi Ramp can form to a minimum radius of 80cm and is available in 5 plain colours as well as 5 foiled colours. The Bendi Ramp clip is fitted in conjunction with its different height PVC bases, 8mm and 14mm.



### BENDI SQUARE CLIP

CODE	SIZE (Width x Depth)	DESCRIPTION
BSQC8	33mm x (8 - 12mm)	8 - 12mm Bendi Square Cover Clip for Laminate floors
BSQC14	33mm x (14 - 19mm)	14 - 19mm Bendi Square Cover Clip for Wood floors

The Bendi Square Clip is a curvable profile used as an end cover for multi-shaped flooring against the borders or walls or on the same level flooring but of different types such as laminate to tile or laminate to carpet. The Bendi Square Clip can form to a minimum radius of 60cm and is available in 5 plain colours as well as 5 foiled colours. The Bendi Square clip is fitted in conjunction with its different height PVC base, 8mm and 14mm.

