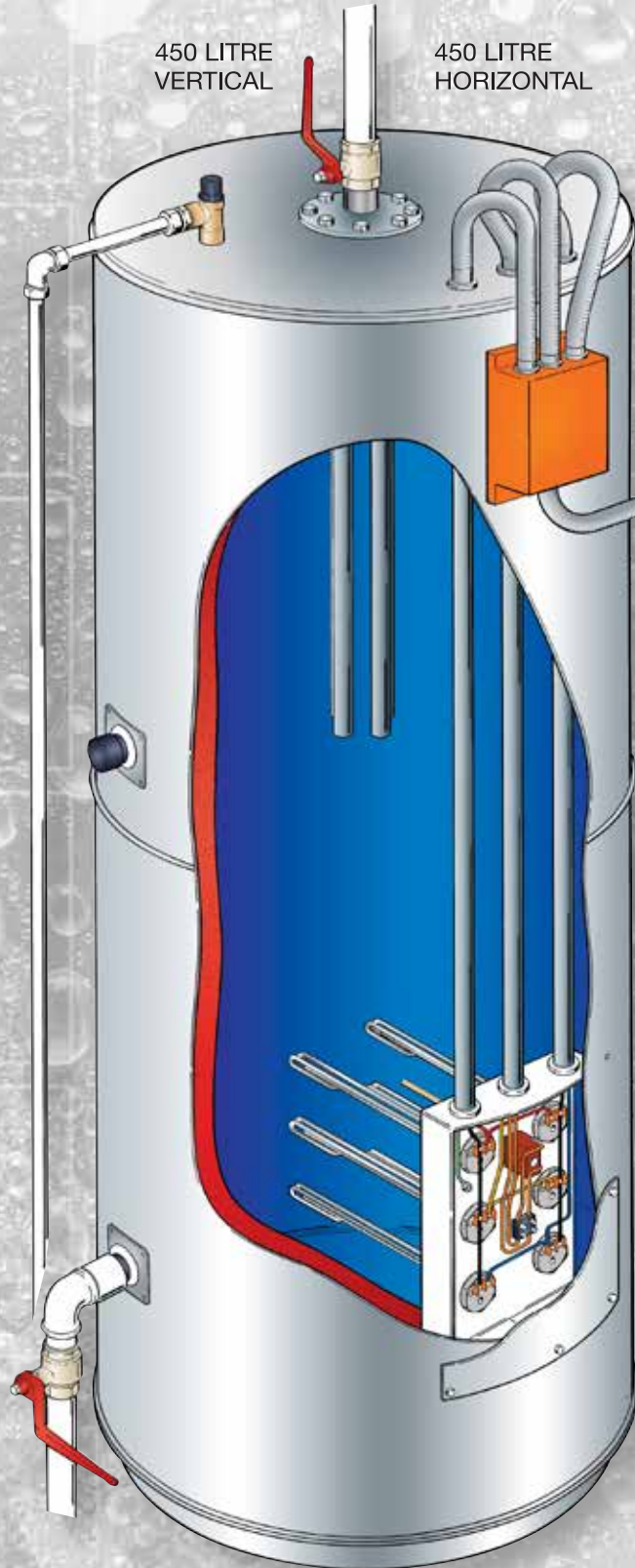


megaflo 450 litre

electric water heaters



450 LITRE
VERTICAL

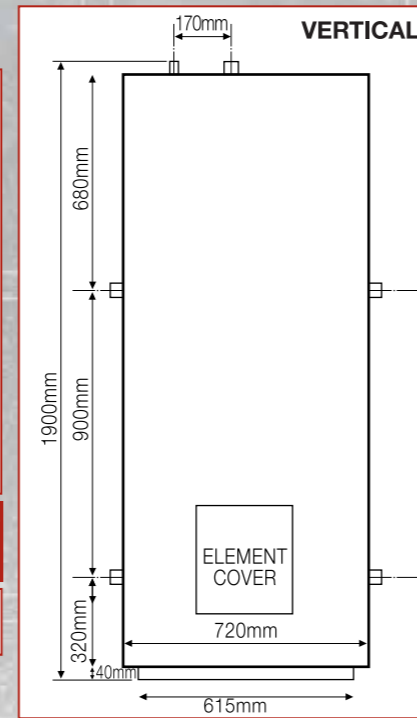
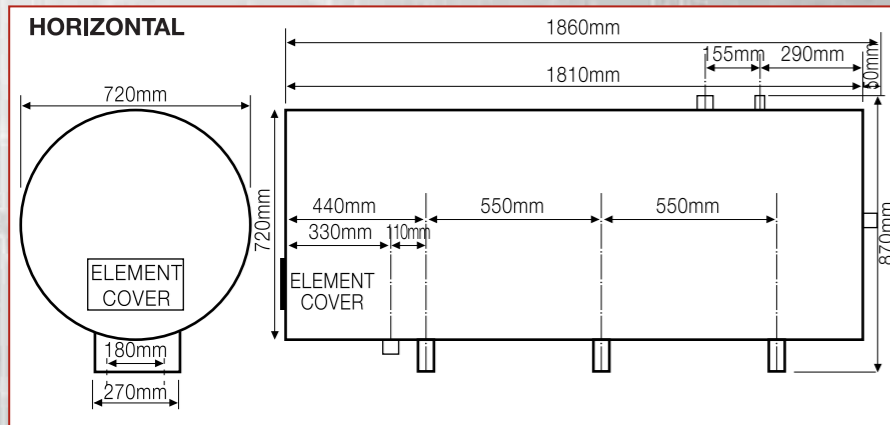
450 LITRE
HORIZONTAL

FOR AN
AMPLE
SUPPLY OF HOT WATER

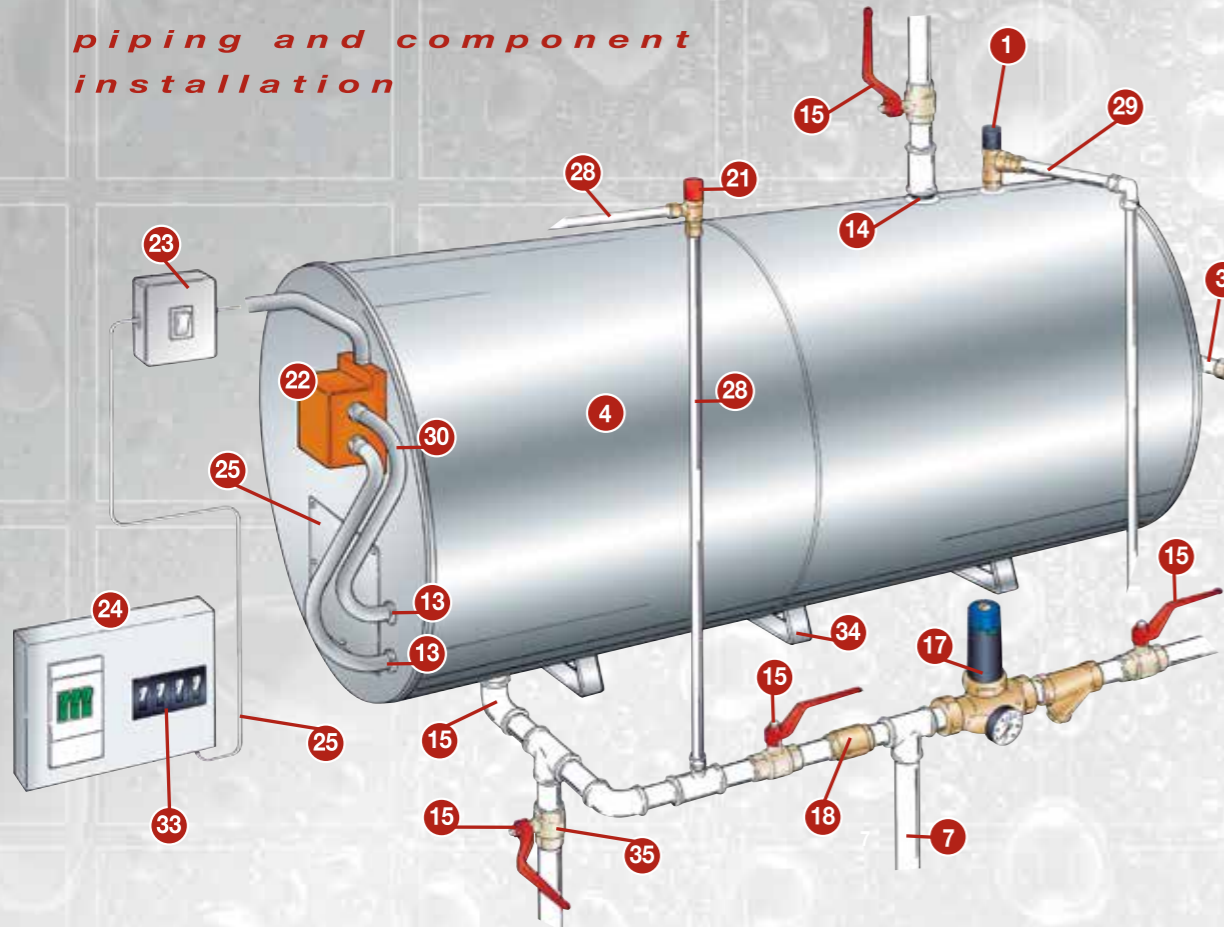
LIGHT COMMERCIAL ELECTRIC WATER HEATERS

product features

- Megaflo 450 litre electric water heaters have been designed for light commercial and large domestic hot water applications.
- When used with good mains pressure, the water heater can be installed almost anywhere - floor standing or roof.
- Megaflo 450 litre water heaters have a polyurethane foam insulation and are finished with a galvanised outer casement.
- The element load cannot be switched directly through the thermostat and a contactor switch rated 30Amp AC1 duty must be utilised. The contactor switch is not a standard component and must be specified and purchased separately.
- Megaflo 450 litre can be installed in all areas. For aggressive water conditions, "incolloy" electric heating elements can be requested at an additional cost.
- Megaflo 450 litre water heaters operate up to **400kPa** and will work efficiently under lower pressures.

product specification data


Product Code	Capacity (Litres)	Element Rating (Kw)	Operating Pressure (kPa)	Mass Empty (kg)	Connections (mm) (male iron)
MF 450V (vertical)	450	18	Up to 400	124	40
MF 450H (horizontal)	450	12	Up to 400	129	40

pipng and component installation

product installation data

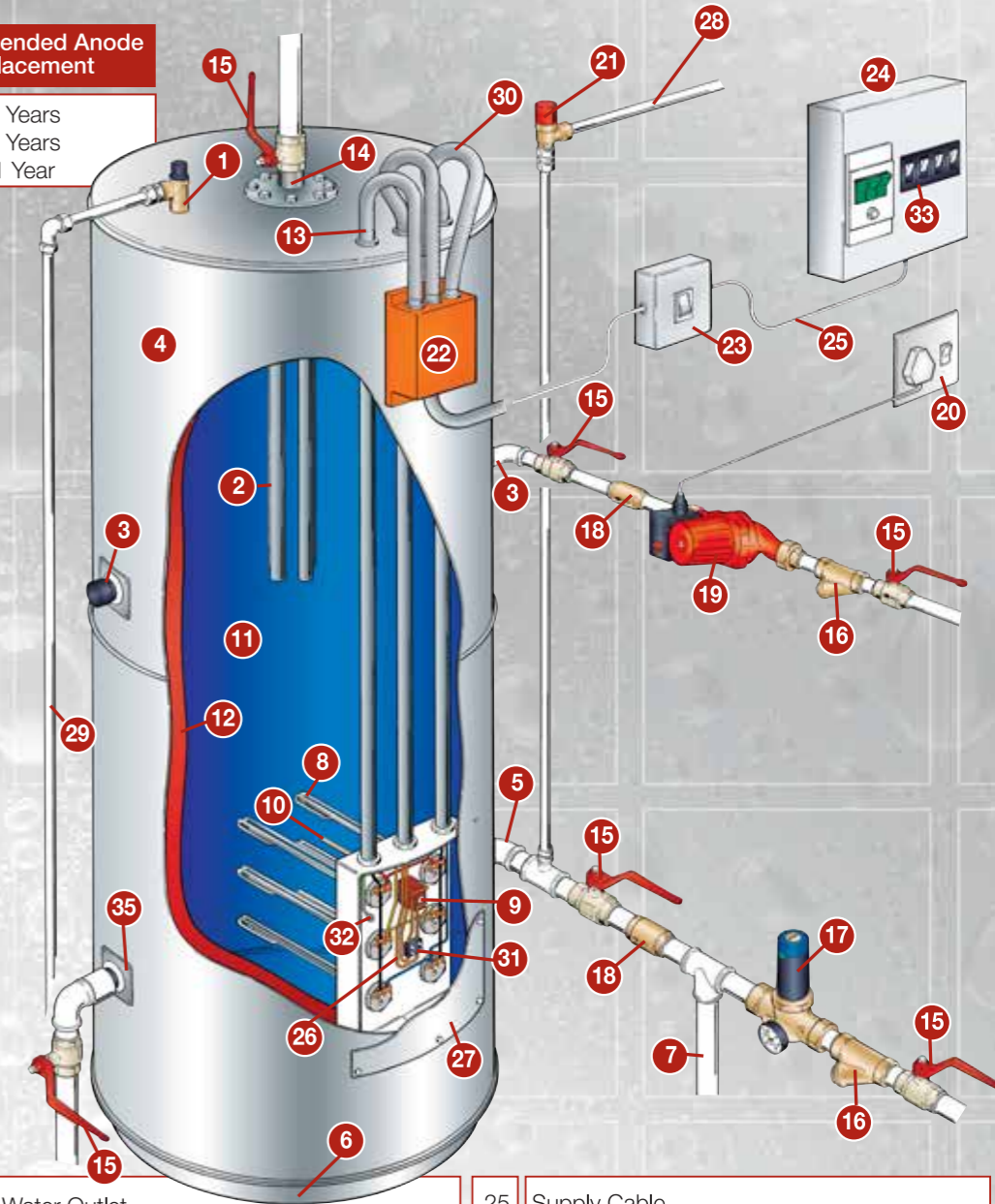
- The water heater must be installed under cover (inside or outside) and not exposed directly to climatic weather conditions.
- The following minimum installation clearance must be allowed for: 500mm clear space around the Safety Valve and for servicing the anodes.
- 300mm clear space immediately in front of the electrical cover plate.
- Do not wall mount.

product warranty and anode servicing

The period of guarantee is from the date of installation providing that documentation of proof of installation is furnished, or alternatively from date of manufacture as determined from the serial plate or date stamp code.

- One year on the standard immersion VKF7" elements, thermostat and flange assembly plate and gasket.
- Two years on the Safety Valve.
- Three Years on the inner cylinder, subject to water conditions equivalent to main Metropolitan supply authorities. This guarantee is subject to only genuine Kwikot replacement parts (element and thermostat etc) been used whilst the inner cylinder is still under guarantee.
- The guarantee on the installation is the responsibility of the installer. Water specification and Anode servicing/replacement is as follows:

Total Dissolved Solids (Parts per Million)	Recommended Anode Replacement
100-600	3 Years
601-1000	2 Years
Over 1000	1 Year


Product Description

1	Temperature & Pressure Safety Valve (400kpa)	14	40mm Hot Water Outlet	25	Supply Cable
2	4 X Sacrificial Anodes	15	Isolating Lever-Ball Valve	26	Thermostat Control Wires
3	40mm Return Connection	16	Strainer	27	Electrical Cover Plate
4	0,8mm Galvanised Sheet Steel	17	Pressure Reducing Valve With or Without Gauge	28	Expansion Overflow Pipe (metallic)
5	Cold Water Inlet	18	Non-return Valve	29	Safety Overflow Pipe (metallic)
6	Floor Standing Base Ring For Vertical Only	19	Inline Circulation Pump	30	Flexible Conduit
7	Balanced Cold Water Draw Off To Other Services	20	15 Amp Wall Socket	31	Terminal Block
8	6 X 3kW Standard Immersion Elements (vertical only)	21	Expansion Relief Valve (400kPa)	32	Earth Stud
9	VKF 7" Thermostat Set At 60° C	22	Contactor Switch	33	3-phase Circuit Breaker
10	Kwikot Thermostat Pocket	23	3 Phase Isolator	34	Kwikot Floor Bracket For Horizontal Cylinder
11	Thermofused Porcelain Coating	24	Distribution Board (3 Phase)	35	Drain Connection
12	50mm Polyurethane Foam Insulation				
13	25mm Electrical Conduit Entry				



megaflo
450 litre

electric water heaters

standard fitted accessories

- Immersion elements.
- Fail-safe thermostat graduated between 30°C and 70°C.
- Flange plate with magnesium sacrificial anodes.
- Thermostat pocket.
- The safety valve (supplied fitted to water heater) is designed to release water if the pressure in the water heater approaches **400kPa** or if the temperature approaches 94°C. The safety valve is fitted with a 20mm male thread connection and the overflow is a 22mm Conex, which must be piped with a metallic overflow pipe to the exterior of the building.

additional installation components

A selection of Kwikot installation components available.



Basket Strainer-
15mm to 100mm



Lever Ball Valves-
15mm to 100mm



Non Return Valves-
15mm to 100mm

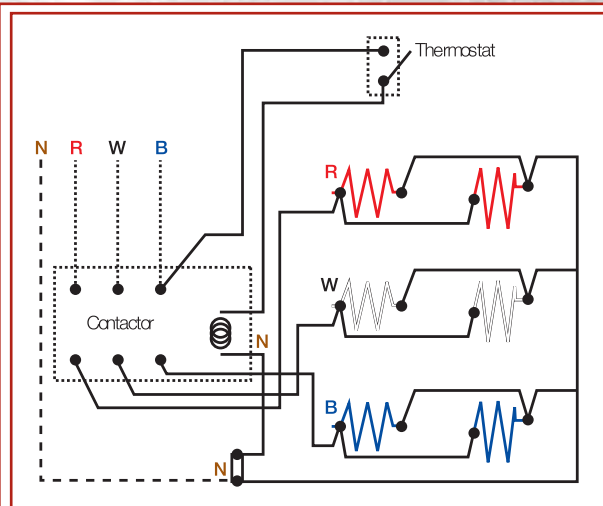
Pressure Reducing Valves-
15mm to 100mm
(150kPa to 600kPa)



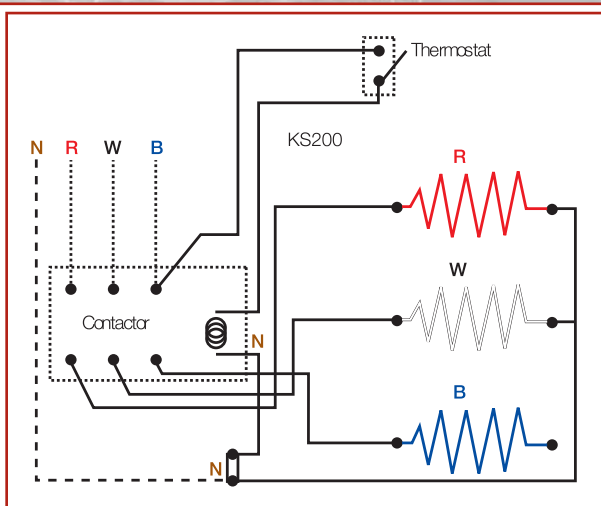
Screwed-End Circulating Pumps-
various sizes available



electrical wiring diagrams



450 litre Vertical 6x3kw Elements



450 litre Horizontal 3x4kw Elements

Electrolux SA (Pty) Ltd



www.electrolux.co.za

inland division
3 Aberdeen Road,
Industrial Sites,
Benoni
Tel: (011) 897 4600

eastern cape division
31-34 Leadwood Crescent,
Fairview,
Port Elizabeth
Tel: (041) 399 4000
Fax: (041) 367 1005

western cape division
15 Purdey Road,
Sheffield Business Park, Phillippi,
Cape Town
Tel: (021) 690 2700
Fax: (021) 690 2800

kwazulu-natal division
814 Peter Close,
Springfield Park,
Durban
Tel: (031) 574 8700
Fax: (031) 574 8750