

KwikBoil

INSTANT BOILING WATER DISPENSERS



BOILING WATER

24/7

ON TAP

INSTANT BOILING WATER DISPENSERS



KwikBoil

INSTANT BOILING WATER DISPENSERS

product features

- Modern and aesthetically appealing.
- Stainless steel or white epoxy outer casing.
- On tap boiling water.
- Wall mounted.
- Fully automatic.
- Advanced electronic controls.
- Safe, hygienic and energy efficient.
- Steam free and convenient.
- Diagnostic PC board for fault finding.
- Additional safety probe.



product specification data

Diagnostic PC Board

- The unit is fitted with self diagnostics and indicative LED lights. The self diagnostic features programmed into the PC board, enables the unit to determine if a component is faulty, or if there is a fault in the heating and/or filling modes i.e. if there is no water connected.
- A further added safety feature to the unit is a third level water probe in the tank. This will enable the PC board to detect if the normal operating water level probe is faulty, or dirty and will prevent the unit from overflowing.
- Diagnostic faults are indicated on the front LED's of the face plate and on the PC board, with the respective component LED, eg. "SL" indicates Sollenoid Valve. The respective LED will flash when a fault is detected.



product specification data and dimensions

Specifications	2,5 litre	5 litre	7,5 litre	10 litre	15 litre	25 litre
Product code - white epoxy	Kwikboil 2.5	Kwikboil 5	Kwikboil 7.5	Kwikboil 10	Kwikboil 15	Kwikboil 25
Product code - stainless steel	Kwikboil 2.5 SS	Kwikboil 5 SS	Kwikboil 7.5 SS	Kwikboil 10 SS	Kwikboil 15 SS	Kwikboil 25 SS
Nominal storage capacity (litres)	2,5	5	7,5	10	15	25
Initial draw-off (180ml cups)	15	30	45	60	100	150
Recovery per min (180ml cups)	2	2	2	2	2,5	3
First hour delivery (180ml cups)	120	135	150	175	200	270
Approx. time for 1st cup (mins)	6	7	7	10	11	11
Heating element input (kW)	1.8	2,0	2,0	2,0	2,4	3,0
Min. supply pressure (kPa)	20	20	20	20	20	20
Max. supply pressure (kPa)	1 000	1 000	1 000	1 000	1 000	1 000
Approx. weight empty (kg)	6,6	8,5	8,7	10	11,2	14,2
Approx weight full (kg)	10,7	16,3	18,3	25,5	30,4	47,2

NB. Operates at 230 Volts AC, 50 Hz, single phase electricity.
Flexible 1,5m electrical cord with a 3 pin plug fitted to all units.

product accessories

Stainless steel drip tray.



Specifications	
Product code	SS-Tray
Outer Dimensions (mm)	335 x 255
Inner Dimensions (mm)	300 x 235
Depth (mm)	50



specification maintenance

The water level probe must be cleaned on a regular basis to remove scale build up.

To download the cleaning instructions, go to:

<https://www.kwikot.com/kwikot/manuals/KwikBoil-Level-Probe-Cleaning-Instructions-Aug-2015.pdf>

product warranty

One year warranty is calculated from the date of sale of the unit, as verified by **Electrolux SA(Pty) Ltd** from the information contained in the company's records, and to the following conditions:

- The Kwikboil boiling water dispenser must be installed in accordance with the manufacturer's installation instructions, supplied with the unit and all statutory requirements of the geographical area in which the unit is to be installed.
- Where the failed component of the boiling water dispenser is replaced under warranty, the balance of the original warranty period will remain effective. The replaced component or complete boiling water dispenser does not carry a new warranty and the warranty period of the original unit is not extended for an additional period.
- The warranty only applies to the Kwikboil boiling units and therefore, does not cover any plumbing or electrical parts supplied by the installer and not an integral part of the boiling water unit eg. pressure control valve, stop cock, electrical switches or fuses.
- The warranty is applicable in South Africa, Namibia, Lesotho, Swaziland and Botswana and is subject to water conditions equivalent to main Metropolitan supply authorities.

This is the only guarantee given, and it expressly excludes all other warranties, expressed or implied in law, including any implied warranty of merchant ability or fitness for a particular purpose. No amendments or additions to the warranty shall be binding on Electrolux SA(Pty) Ltd.



Red (Power Supply)

Blue (Ready)



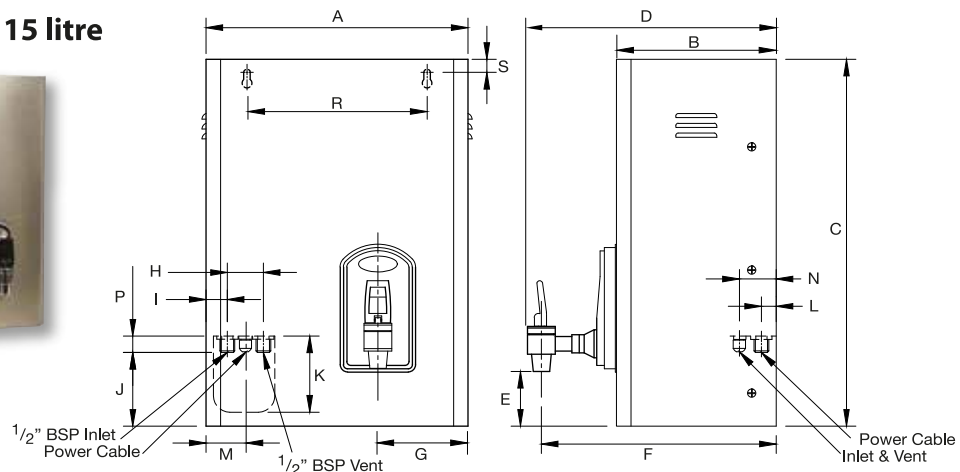
product dimensions

Dimensions (mm)	2,5 litre	5 litre	7,5 litre	10 litre	15 litre	25 litre
A	275	320	320	348	370	400
B	165	195	195	225	230	255
C	365	448	448	460	513	613
D	263	293	293	323	328	353
E	82	82	82	82	82	82
F	243	273	273	303	306	333
G	110	110	110	137	140	115
H	44	44	44	44	44	44
I	28	28	28	28	28	28
J	90	90	90	90	90	90
K	93	93	93	93	93	93
L	18	18	18	18	18	18
M	49	49	49	49	49	49
N	45	45	45	45	45	45
P	20	20	20	20	20	20
R	220	220	220	220	220	220
S	16	16	16	16	16	16
T	N/A	N/A	N/A	N/A	N/A	135

2,5; 5; 7,5; 10 & 15 litre



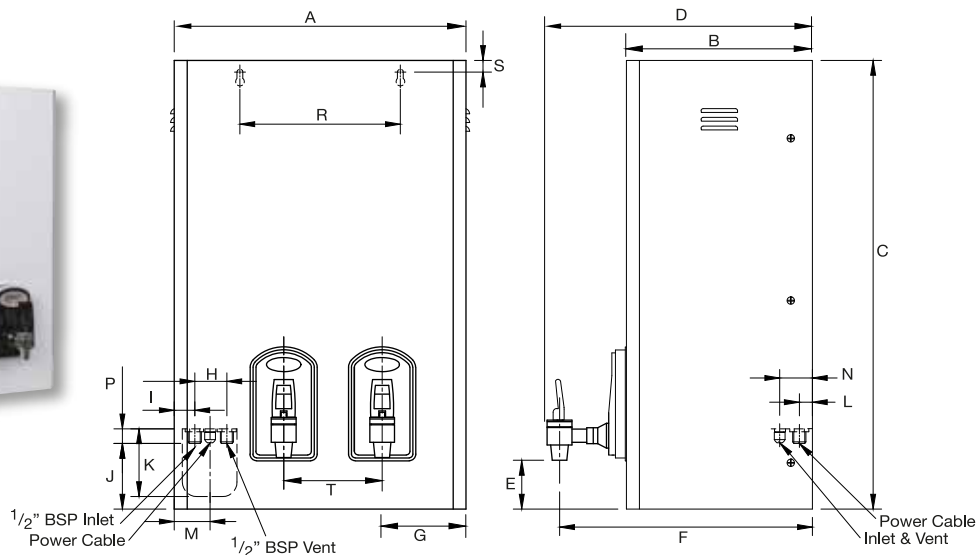
15 litre
Stainless Steel



25 litre



25 litre
white epoxy



Electrolux SA (Pty) Ltd



www.electrolux.co.za

inland division

3 Aberdeen Road,
Industrial Sites,
Benoni
Tel: (011) 897 4600

eastern cape division

39-41 Leadwood Crescent,
Fairview,
Port Elizabeth
Tel: (041) 399 4000
Fax: (041) 367 1005

western cape division

15 Purdey Road,
Sheffield Business Park, Phillippi,
Cape Town
Tel: (021) 690 2700
Fax: (021) 690 2800

kwazulu-natal division

814 Peter Close,
Springfield Park,
Durban
Tel: (031) 574 8700
Fax: (031) 574 8750