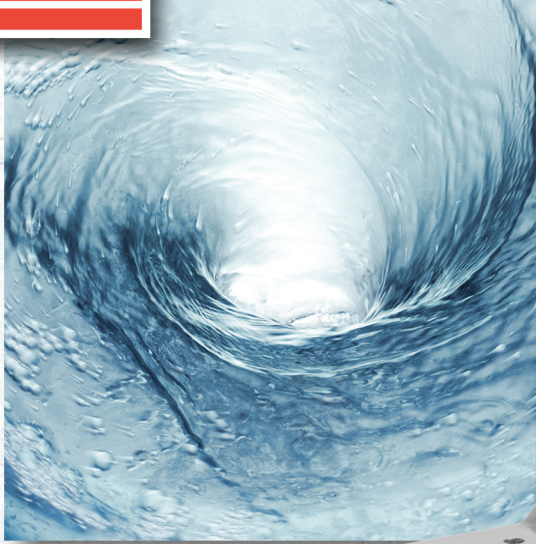




COMMERCIAL

stainless steel



**SANITARY
EQUIPMENT**
floor mounted
wc pan
SWC - PAN - FM

SANITARY EQUIPMENT - FLOOR MOUNTED WATER CLOSET PAN



COMMERCIAL stainless steel

FLOOR MOUNTED WC PAN MODEL SWC-PAN-FM

features

- Grade 304 (18/10) Stainless Steel
- Durable
- Hygienic
- Complies with paper removal test: SABS 497:2006
- Complies with flushing test: SABS 1733:2007
- Inlet to suit standard flush pipe connections
- Outlet to suit standard PVC or cast iron sewerage systems

specification for model SWC - PAN - FM

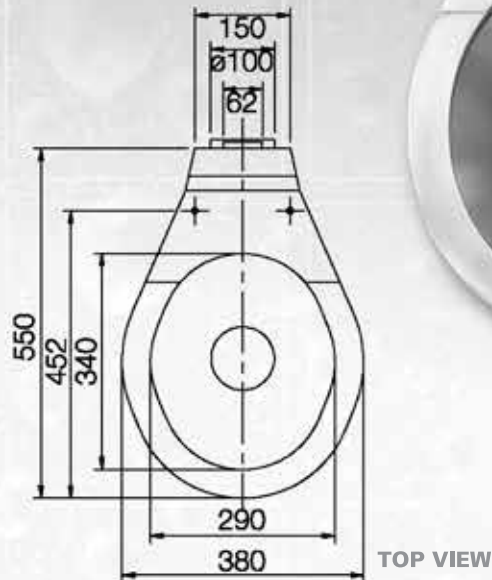
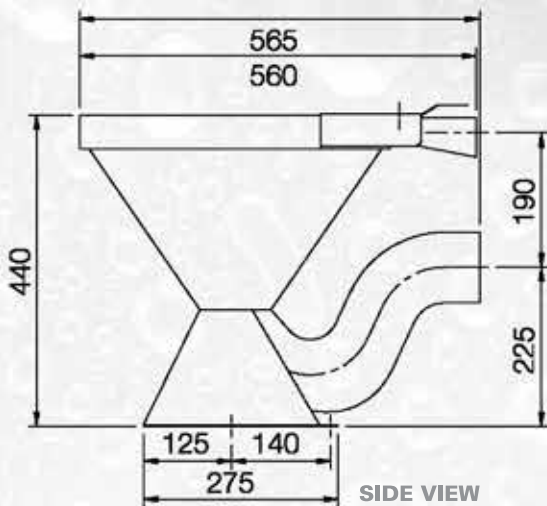
Kwikot floor mounted WC pan Code: SWC-PAN-FM manufactured from 304 (18/10) Stainless Steel with concealed flushing rim and integral Stainless Steel 110mm Ø "P" trap and back entry flush pipe inlet. Provision to be made for standard seat hole. Fixed to floor with anchor bolts. (Supplied by installer).

optional flushing systems

- Surface mounted or concealed flush valve
- 11 Litre low-level cistern

standard size for model SWC - PAN - FM

MODEL	WIDTH (mm)	DEPTH (mm)
SWC-PAN-FM	550	380



MODEL SWC-PAN-FM



SANITARY EQUIPMENT - FLOOR MOUNTED WATER CLOSET PAN

Electrolux SA (Pty) Ltd



www.electrolux.co.za

inland division
3 Aberdeen Road,
Industrial Sites,
Benoni
Tel: (011) 897 4600

eastern cape division
31-34 Leadwood Crescent,
Fairview,
Port Elizabeth
Tel: (041) 399 4000
Fax: (041) 367 1005

western cape division
15 Purdey Road,
Sheffield Business Park, Phillippi,
Cape Town
Tel: (021) 690 2700
Fax: (021) 690 2800

kwazulu-natal division
814 Peter Close,
Springfield Park,
Durban
Tel: (031) 574 8700
Fax: (031) 574 8750