



COMMERCIAL

stainless steel



**SANITARY
EQUIPMENT**
**single wash
hand basin**
MODEL SHB-001

SANITARY EQUIPMENT - SINGLE WASH HAND BASIN



COMMERCIAL

stainless steel

WASH HAND BASIN MODEL SHB-001



MODEL SHB-001

features

- Grade 304 (18/10) Stainless Steel
- One piece pressed
- With or without tiling key
- Durable
- Hygienic

specification for model SHB - 001 wash hand basin

Kwikot Model SHB-001 wash hand basin manufactured from Grade 304 (18110) Stainless Steel with/without 25mm splash back and tiling key. (Please Specify).

optional mounting methods

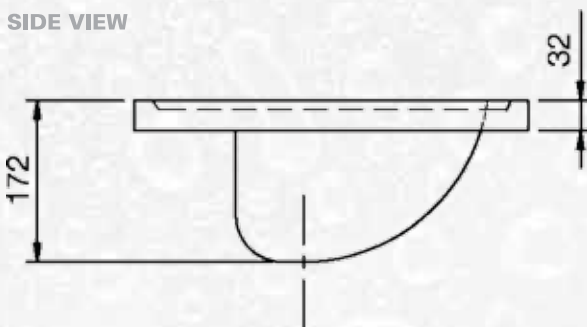
- 25mm square Stainless Steel gallow brackets.
- 25mm square Stainless Steel gallow brackets and front legs.
- Stainless Steel "Dura" brackets.

standard sizes for model SHB - 001

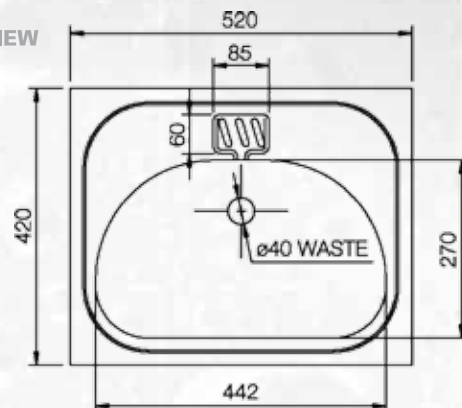
MODEL	WIDTH (mm)	DEPTH (mm)
SHB-001	520	420



SIDE VIEW



TOP VIEW



Electrolux SA (Pty) Ltd



www.electrolux.co.za

inland division

3 Aberdeen Road,
Industrial Sites,
Benoni
Tel: (011) 897 4600

eastern cape division

31-34 Leadwood Crescent,
Fairview,
Port Elizabeth
Tel: (041) 399 4000
Fax: (041) 367 1005

western cape division

15 Purdey Road,
Sheffield Business Park, Phillippi,
Cape Town
Tel: (021) 690 2700
Fax: (021) 690 2800

kwazulu-natal division

814 Peter Close,
Springfield Park,
Durban
Tel: (031) 574 8700
Fax: (031) 574 8750