



COMMERCIAL

stainless steel



**SANITARY
EQUIPMENT**
wall hung
wc pan

SWC-PAN-WM

SANITARY EQUIPMENT - WALL HUNG WATER CLOSET PAN



COMMERCIAL stainless steel



WALL HUNG WC PAN MODEL SWC - PAN - WM

features

- Grade 304 (18/10) Stainless Steel
- Durable
- Hygienic
- Outer body totally enclosed
- Complies with paper removal test: SABS 497:2:006
- Complies with flushing test: SABS 1733:2007
- External surfaces of 1,2mm gauge. Mounting panel 3mm gauge.
- Integral "P" trap and WC shroud
- All plumbing built into wall
- Inlet and outlet to suit standard flush pipe/PVC or cast iron sewerage systems.
- Seat provision
- Fixed to wall with 12mm anchor bolts (Supplied by installer).

MODEL SWC-PAN-WM

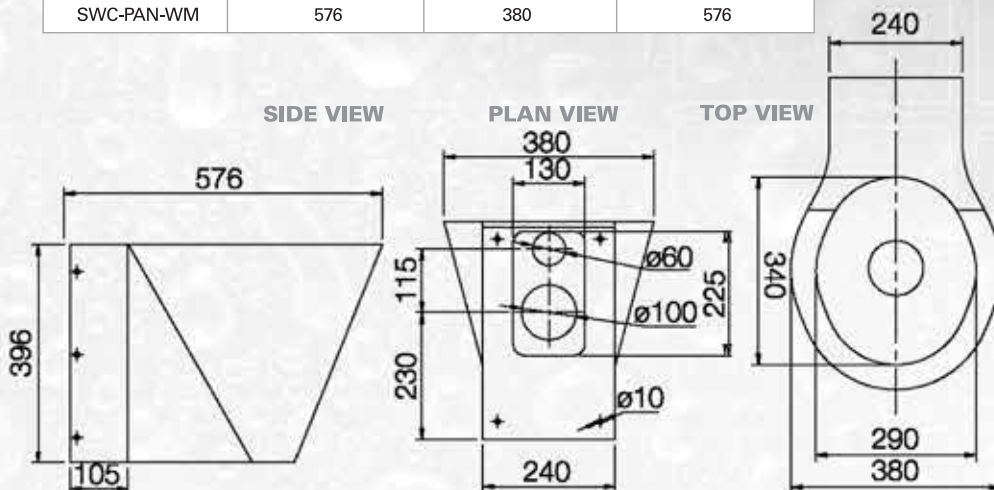


specifications for model SWC - PAN - WM

Kwikot Wall Hung WC Pan Code: SWC-PAN-WM manufactured from Grade 304 (18/10) Stainless Steel complete with pressed integral "P" trap and wall mounting bracket.

standard size for model SWC - PAN - WM

MODEL	HEIGHT (mm)	WIDTH (mm)	DEPTH
SWC-PAN-WM	576	380	576



SANITARY EQUIPMENT - WALL HUNG WATER CLOSET PAN

Electrolux SA (Pty) Ltd



www.electrolux.co.za

inland division
3 Aberdeen Road,
Industrial Sites,
Benoni
Tel: (011) 897 4600

eastern cape division
31-34 Leadwood Crescent,
Fairview,
Port Elizabeth
Tel: (041) 399 4000
Fax: (041) 367 1005

western cape division
15 Purdey Road,
Sheffield Business Park, Phillippi,
Cape Town
Tel: (021) 690 2700
Fax: (021) 690 2800

kwazulu-natal division
814 Peter Close,
Springfield Park,
Durban
Tel: (031) 574 8700
Fax: (031) 574 8750