

ELECTRIC WATER HEATERS

domestic range



Slimline



Standard

SUPPLY OF SUPERIOR

RELIABLE

WATER HEATING SOLUTIONS

DOMESTIC ELECTRIC WATER HEATERS



superline 400

DUAL
electric water heaters

Electric Water Heater System

product features

- The Kwikot Superline 400 Dual is a high pressure electric water heater available in a 100 litre, 150 litre and 200 litre and are SABS 400kPa approved.
- The inner cylinder is manufactured from 1.6mm steel and thermofused porcelain enamelled for cylinder longevity and hygiene.
- The polyurethane insulation between the inner cylinder and the outer galvanised casement is **128%** thicker, resulting in the hourly standing heat loss decreasing from 108 watts per hour to 50 watts per hour, a 50% decrease on the 150 lt.
- A lower energy loss, a more efficient electric water heater. Energy efficiency improved from a D rating to a B rating.
- Renewable energy ready for a Solar Retrofit System or a Heat Pump.
- The units can be installed horizontally or vertically. (See product installation data below).

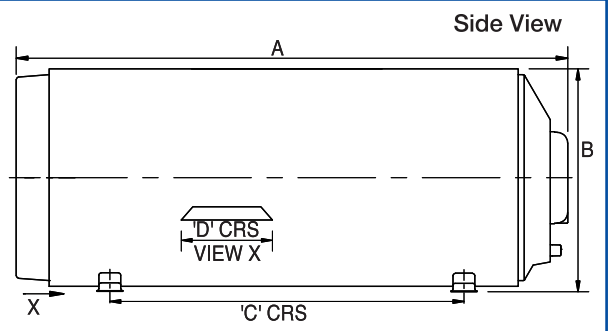


Renewable energy ready connection

product specification data

Capacity (Litres)	Element Rating (kW)	Operating Pressure (kPa)	Mass Empty (kg)	Connections (mm) (male iron)
100	2	Up to 400	28	20
150	3	Up to 400	39	20
200	4	Up to 400	45	20

Product Code	Capacity (Litres)	Dimension A (mm)	Dimension B (mm)	Dimension C (mm)	Dimension D (mm)
DSG -100	100	932	543	465	355
DSG -150	150	1320	543	865	355
DSG -200	200	1331	596	860	355



Complies to SABS 151 Specifications

product installation data

The Kwikot Superline 400 Dual must be installed in compliance with SANS 10254 Installation and Maintenance of Electric Storage Water Heaters, with a Kwikot Temperature & Pressure Valve (Safety Valve) and a Kwikot Drain Cock (both supplied with the water heater), a SABS approved Pressure Control Valve, Drip Tray and Vacuum Breakers. The Kwikot Superline 400 Dual water heater is IPX4 rated.

The 100lt, 150lt and 200lt, can be installed horizontally on the floor (in the roof) and wall mounted vertically or horizontally left hand, or horizontally right hand.

In a horizontal wall mounting installation, the brackets (feet) need to be moved by 90° to the alternative holes in the outer casement. In a vertical wall mounting installation, the brackets (feet) are not moved to the alternative holes in the outer casement.

The wall installation of a 200lt water heater is not recommended, unless the reliability and strength of the wall is determined beforehand by a suitably qualified construction person. The weight of the water heater when completely full must be taken into account. Kwikot cannot be held responsible should a water heater pull out or fall off a wall. The installation is the responsibility of the installer.

The following minimum installation clearance must be allowed for on each side in the event of having to remove the element, thermostat or the anode: 100 lt and 150 lt – 450mm
: 200 lt – 920mm.



megaflo
DUAL



Electric Water Heater System

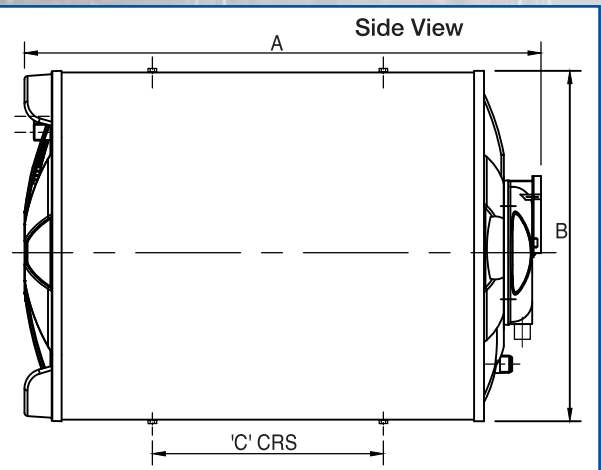
product features

- The Kwikot Megaflo-i Dual is a high-pressure electric water heater available in 100 litre, 150 litre and 200 litre and are SABS 600kPa approved.
- An Isolator Switch is fitted to the end electrical cover.
- The inner cylinder is manufactured from 2mm steel and thermofused porcelain enamelled for cylinder longevity and hygiene.
- Polyurethane insulation between the inner cylinder and outer casement reduces energy and heat loss.
- The units can be installed horizontally or vertically. Adjustable brackets are available on request for left or right wall mountings.
- Plastic end domes and the metal casement is aesthetically appealing in appliance white.

product specification data

Capacity (Litres)	Element Rating (kW)	Operating Pressure (kPa)	Mass Empty (kg)	Connections (mm, male iron)
100	2	Up to 600	32	20
150	3	Up to 600	41	20
200	4	Up to 600	52	20

Product Code	Capacity (Litres)	Dimension A (mm)	Dimension B (mm)	Dimension C (mm)
MF-100-D2-2A-I	100	782	531	370
MF-150-D2-2A-I	150	1087	531	640
MF-200-D2-2A-I	200	1362	531	930



Complies to SABS 151 Specifications

product installation data

The Kwikot Megaflo-i Dual must be installed in compliance with SANS 10254 Installation and Maintenance of Electric Storage Water Heaters, with a Kwikot Temperature & Pressure Valve (Safety Valve) and a Kwikot Drain Cock (both supplied with the water heater), a SABS approved Pressure Control Valve, Drip Tray and Vacuum Breakers. The Kwikot Megaflo-i Dual water heater is IPX1 rated.

The water heater must be installed under cover if installed outside and not exposed directly to climatic weather conditions.

The 100lt, 150lt and 200lt, can be installed horizontally on the floor (in the roof) and wall mounted vertically or horizontally left hand, or horizontally right hand.

In a horizontal wall mounting installation, the brackets (feet) need to be moved by 90° to the alternative holes in the outer casement. In a vertical wall mounting installation, the brackets (feet) are not moved to the alternative holes in the outer casement.

The wall installation of a 200lt water heater is not recommended, unless the reliability and strength of the wall is determined beforehand by a suitably qualified construction person. The weight of the water heater when completely full must be taken into account.

Kwikot cannot be held responsible should a water heater pull out or fall off a wall. The installation is the responsibility of the installer.

The following minimum installation clearance must be allowed for on each side in the event of having to remove the element, thermostat or the anode: 100 lt and 150 lt – 450mm
: 200 lt – 920mm.



Slimline



Standard



Renewable energy ready connection

Electric Water Heater System

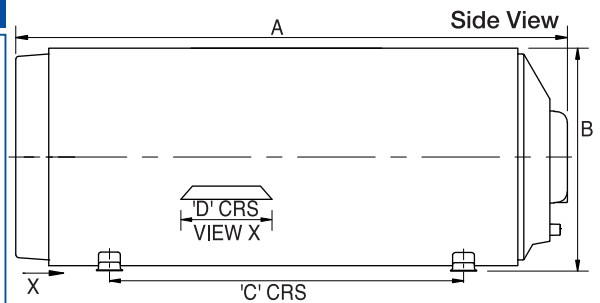
product features

- The Kwikot 600 Dual is a high-pressure electric water heater and is SABS 600kPa approved and available in Slimline (50lt, 100lt and 150lt) and Standard (150lt, 200lt and 250lt) formats.
- The inner cylinder is manufactured from 1.6mm steel on all sizes except the 250 litre, which is 2mm steel and thermofused porcelain enamelled for cylinder longevity and hygiene.
- Polyurethane insulation between the inner cylinder and outer galvanised casement reduces energy and heat loss.
- Renewable energy ready for a Solar Retrofit System or a Heat Pump.
- The units can be installed horizontally or vertically.
- An electrical cover plate with isolator switch can be purchased separately and fitted to the front end dome (Product code: CVR-G-I-1010)

product specification data

Capacity (Litres)	Element Rating (kW)	Operating Pressure (kPa)	Mass Empty (kg)	Connections (mm) (male iron)	Capacity (Litres)	Element Rating (kW)	Operating Pressure (kPa)	Mass Empty (kg)	Connections (mm) (male iron)
SLIMLINE					STANDARD				
50	2	Up to 600	21	20	150	3	Up to 600	36	20
100	2	Up to 600	30	20	200	4	Up to 600	43	20
150	3	Up to 600	39	20	250	4	Up to 600	65	20

Product Code	Capacity (Litres)	Dimension A (mm)	Dimension B (mm)	Dimension C (mm)	Dimension D (mm)
SLIMLINE					
ESG-050	50	580	480	135	355
ESG-100	100	950	480	510	355
ESG-150	150	1320	480	890	355
STANDARD					
EF150-2D	150	1055	538	580	355
EF200-2D	200	1345	538	865	355
EF250-RD	250	1640	538	1155	355



Complies to SABS 151 Specifications

product installation data

The Kwikot 600 Dual must be installed in compliance with SANS 10254 Installation and Maintenance of Electric Storage Water Heaters, with a Kwikot Temperature & Pressure Valve (Safety Valve) and a Kwikot Drain Cock (both supplied with the water heater), a SABS approved Pressure Control Valve, Drip Tray and Vacuum Breakers. The Kwikot 600 Dual water heater is IPX 4 rated.

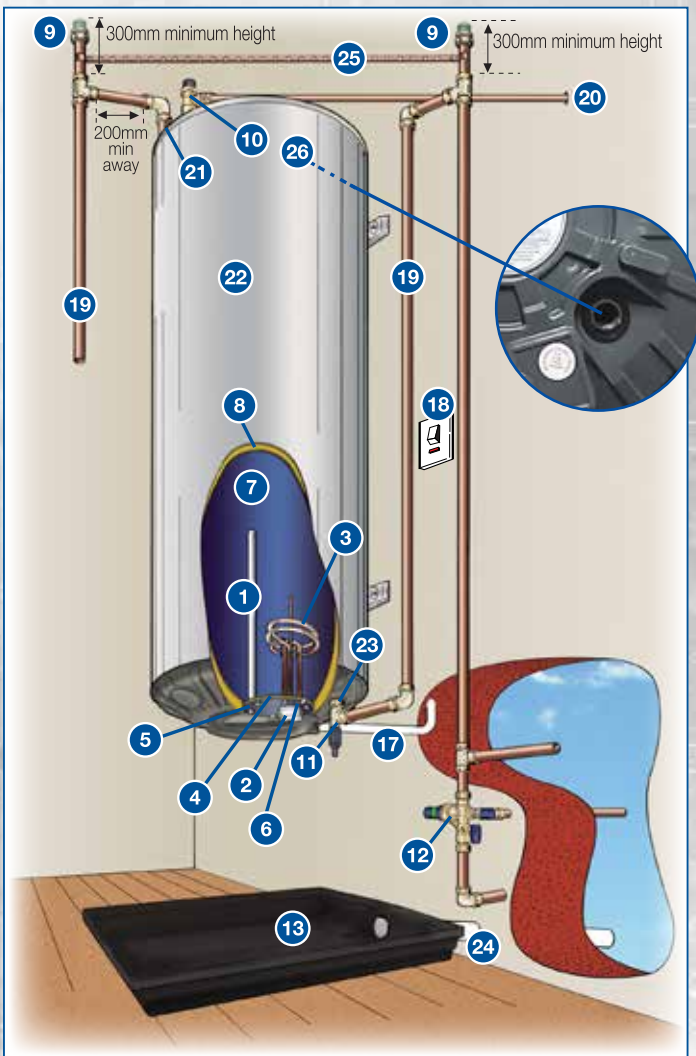
The 50lt, 100lt, 150lt, 200lt and 250lt, can be installed horizontally on the floor (in the roof) and wall mounted vertically or horizontally left hand, or horizontally right hand, except the 250lt. **(NB. The maximum wall mount geyser capacity is 200 litres).**

In a horizontal wall mounting installation, the brackets (feet) need to be moved by 90° to the alternative holes in the outer casement. In a vertical wall mounting installation, the brackets (feet) are not moved to the alternative holes in the outer casement.

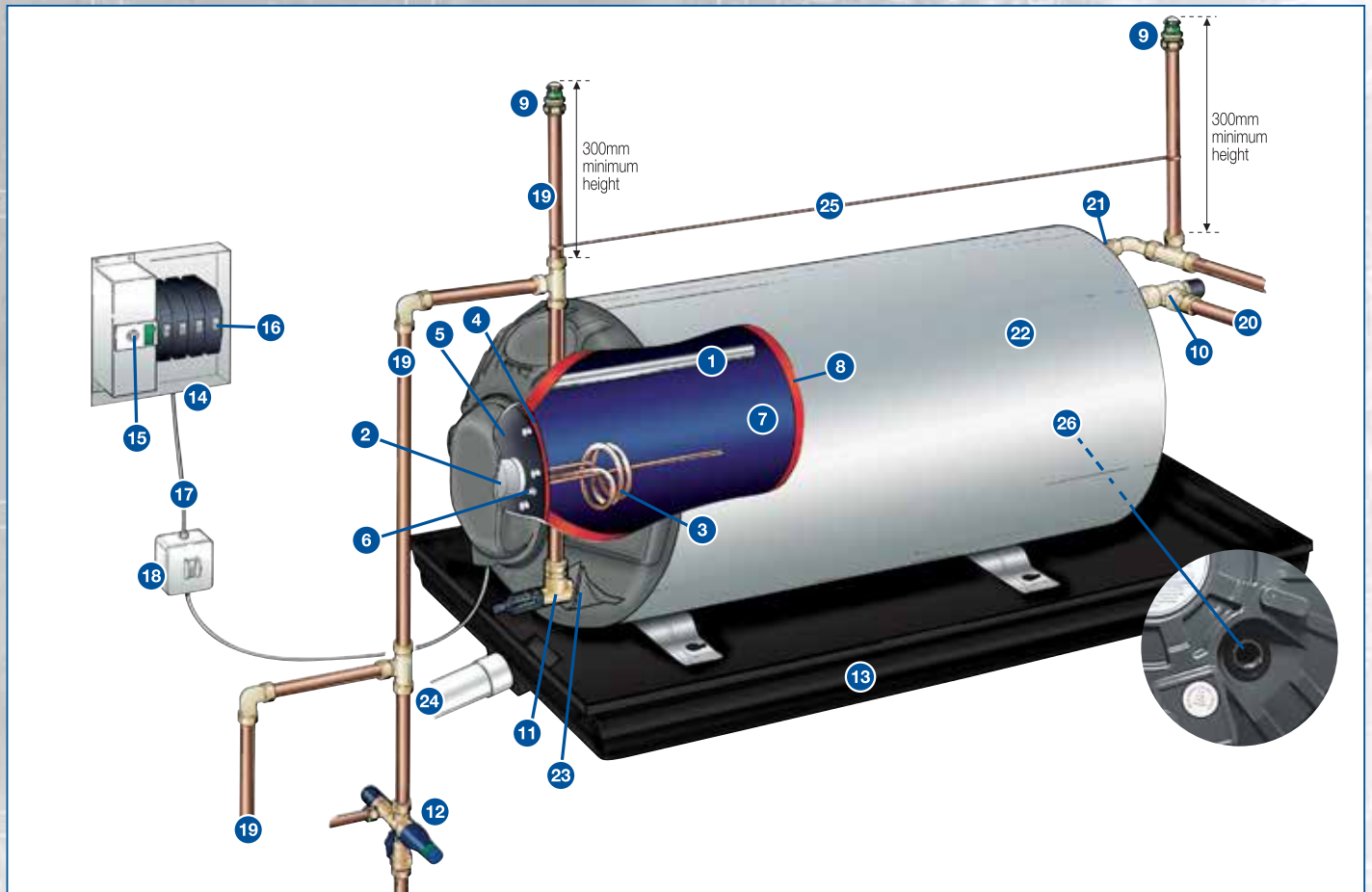
The wall installation of a 200lt water heater is not recommended, unless the reliability and strength of the wall is determined beforehand by a suitably qualified construction person. The weight of the water heater when completely full must be taken into account. Kwikot cannot be held responsible should a water heater pull out or fall off a wall. The installation is the responsibility of the installer.

The following minimum installation clearance must be allowed for on each side in the event of having to remove the element, thermostat or the anode: 50 lt, 100 lt and 150 lt – 450mm
: 200 lt and 250 lt – 920mm.

Product Description	
1	Anode
2	Kwikot Thermostat TH208, 20Amp
3	Kwikot Spiral Element
4	Flange Gasket
5	Flange
6	Earth Stud
7	Thermofused Porcelain Enamel Lining
8	Urethane Insulation
9	Kwikot Vacuum Breaker
10	Kwikot Safety Valve (400kPa/600kPa)
11	Kwikot Draincock
12	Kwikot Multi Valve (400kPa/600kPa)
13	Kwiktray Geyser Tray
14	Distribution Board
15	Earth Leakage - 60 Amp
16	Geyser Circuit Breaker
17	Cable Size, Minimum of 2,5mm ²
18	Isolating Switch within 1m from Electrical Connection on Geyser
19	Copper Pipe
20	Overflow Pipe to Exterior of Building, 20mm Metallic
21	Hot Water Outlet
22	Kwikot Geyser (400kPa/600kPa)
23	Cold Water Inlet
24	Geyser Tray Overflow Pipe, 50mm
25	Earth Bonding Strap between Hot and Cold Water
26	Renewable Energy Ready Connection



product installation:
vertical standard and horizontal slimline



product warranties

The period of guarantee is from the date of installation providing that documentation of proof of installation is furnished, or alternatively from date of manufacture as determined from the serial plate on the end dome.

- **Superline 400 Dual** : **Seven** Years on the inner cylinder.
- **Megaflou Dual** : **Six** Years on the inner cylinder.
- **600 Dual** : **Five** Years on the inner cylinder.

The above guarantees are subject to only genuine Kwikot replacement parts (spiral element and thermostat etc) been used whilst the inner cylinders are still under guarantee and are subject to water conditions equivalent to main Metropolitan supply authorities.

- One year on the spiral element, thermostat, isolator switch, flange assembly plate and gasket.
- Two years on the Safety Valve and Drain Cock.
- The guarantee on the installation is the responsibility of the installer.

auxilliary components in compliance to sans 10254

pressure control valves

- Kwikot Multi Valves with integral isolating valve and expansion relief valve are available in **200kPa**, **400kPa** and superior **600kPa** high pressure, with various connection sizes and types.
- Kwikot Mono Valves with expansion relief valve are available in **200kPa**, **400kPa** and superior **600kPa** high pressure, with various connection sizes and types.



Pressure Control Valves

vacuum breakers

- Kwikot Vacuum Breakers 22mm CXC



Vacuum Breakers

electric water heater blanket

- one common blanket size for all geyser capacities up to 200 litres.



Blanket

thermal pipe lagging

- thermal pipe lagging sizes 15mm and 22mm



Thermal Pipe Lagging

kwikot branch contact details:

kwikot (pty) ltd inland division

PO Box 1016, Benoni, 1500
Tel: (011) 897 4600

Domestic Sales

email: sales.inland@kwikot.com
AFTER SALES SERVICE TEL:
0861 KWIKOT (694568)

Export Sales:

email: sales.export@kwikot.com

Marketing:

email: marketing.info@kwikot.com

Technical:

email: technical.info@kwikot.com

kwikot (pty) ltd eastern cape division

PO Box 29142, Sunridge Park, Port Elizabeth, 6008
Tel: (041) 399 4000
Fax: (041) 367 1005

Domestic Sales

Email: sales.easterncape@kwikot.com

kwikot (pty) ltd western cape division

PO Box 32072, Ottery, Cape Town, 7808
Tel: (021) 690 2700
Fax: (021) 690 2800

Domestic Sales

Email: sales.westerncape@kwikot.com

kwikot (pty) ltd kwazulu-natal division

P O Box 47366, Greyville, Durban, 4023
Tel: (031) 574 8700
Fax: (031) 574 8750

Domestic Sales

email: sales.kwazulunatal@kwikot.com