



prisma

Classique

**POINT OF USE
ELECTRIC WATER HEATER**



30 litre Over Basin



15 litre Over Basin



10 litre Over Basin



10 litre Under Basin

*Saves on
Water Wastage*

**INSTRUCTION, INSTALLATION
& WARRANTY MANUAL**

Product Applications

Kwikot Prisma Classique Electric Water Storage Heaters are suitable for domestic kitchens and laundries, medical suites, clinics and office kitchenettes where hot water is readily required. The units solve the problem of having to wait for hot water from larger electric water heaters (geysers), which may be installed some distance from the point of use, thus saving on water wastage.

Product Specifications

- Kwikot Prisma Classique Electric Water Heaters have a Glasslined Inner Cylinder, offering a long life to the cylinder (subject to water conditions equivalent to Metropolitan supply authorities).
- All units have a shiny non-corrosive polypropylene outer, which provides aesthetic appeal and will not discolour overtime.
- Thick polyurethane foam insulation is used to reduce inner cylinder heat loss.
- Units are fitted with a large sacrificial anode, providing additional tank protection.
- External Temperature Controls are fitted with a maximum temperature setting of 75°C.
- Capillary Thermostat for accurate temperature settings.
- Fitted electrical cable with 15 Amp 3 Pin Electrical Plug.
- The Under Basin unit may only be fitted with a counter surface PUSH THROUGH MIXER (not supplied) and the Over Basin Unit with an over counter PUSH THROUGH MIXER (not supplied) or with STOP COCK and SPOUT (not supplied). These are available from Kwikot.

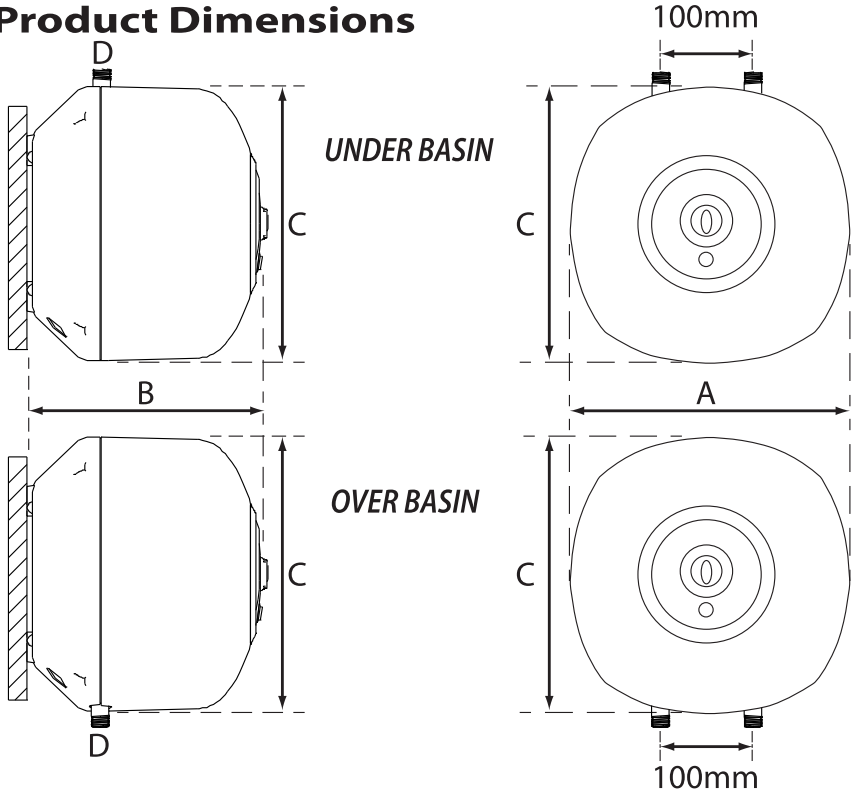
Model	10lt Under Basin	10lt Over Basin	15lt Over Basin	30lt Over Basin
Weight (empty)	8.1 kgs	7.9 kgs	9.28 kgs	14.0 kgs
Electrical Supply	230V	230V	230V	230V
Wattage	1500	1500	1500	1500
Heating Time ($\Delta=50^{\circ}\text{C}$)	26 minutes	26 minutes	40 minutes	80 minutes
Working Pressure	0 kPa	0 kPa	0 kPa	0 kPa

Product Standards and Safety Features

Units are tested to SANS 60335-2-21.

The Thermostat will cutout when the required temperature is reached. The recommended setting is 60°C. Faulty Thermostats and Elements can be replaced when necessary. The Sacrificial Anode must be checked every 6 months for degradation and replaced when necessary.

Product Dimensions



Product Code	FPRX-10-UB	FPRX-10-OB	FPRX-15-OB	FPRX-30-OB
Dimensions	10lt Under Basin	10lt Over Basin	15lt Over Basin	30lt Over Basin
A(mm)	340	340	360	440
B(mm)	291	291	329	389
C(mm)	347	347	375	445
D(inch)	$\frac{1}{2}$	$\frac{1}{2}$	$\frac{1}{2}$	$\frac{1}{2}$

Installation Specification

In terms of open-outlet water heaters, the outlets acts as a vent and must not be connected to any tap or fitting other than those specified in the instructions.

The security valve (800kPa) supplied with the unit, must be installed directly onto the cold inlet pipe with the arrow on the valve pointing towards the unit.

If the supply cord is damaged, it must be replaced by the manufacturer or its appointed service agent, or a similarly qualified person in order to avoid a potential hazard.

Installation of the open-outlet water heater must be carried out by a qualified plumber or handy DIY person.

Installation of the Under Basin Unit

Allow sufficient space beneath the basin/sink for the unit and a 15 Amp wall socket should be within 1.5m of the unit.

1. Selecting a Position for the Mixer on the Basin/Sink (using the Kwikot Under Basin Mixer PMX-74)

- Select the side of the basin/sink most suited for the tap hole mixer and where the space is directly underneath the unit.
- Ideally the cold water connection should be on the same side as the mixer and under the basin/sink.
- Using a drilling machine with a hole saw for stainless steel sinks or acrylic basins, drill the mounting hole. On ceramic basins the mounting hole should already be provided.
- Fit the mixer to the basin/sink and fit the flexible hoses to the mixer. Note the directional flow arrows on the hoses.

2. Mounting the Unit

- Hold the unit against the wall within reach of the mixer's flexible hoses and mark the unit's position.
- Remove the unit and drill two 8mm Ø holes 66mm horizontally apart (holes 45mm deep), with a masonry drill bit to fix the hanging bracket to the wall. Insert the two supplied expansion plugs into the holes.
- Fix the bracket to the wall by means of the two supplied screws and ensure that the bracket is level by using a split-level.
- Hang the unit onto the two hooks on the bracket.



3. Connecting the Mixer Pipes to the Unit and Water Supply Connection

- Position the hoses to line up with the hot and cold connection point on the unit.
- Using PTFE thread tape, screw the two hoses (hot and cold) onto the correct connections on the unit and connect the third hose to the main cold water supply, ensuring all hoses are tightly fastened.
- Installation instructions for the push through mixer is supplied with the mixer.

4. Filling the Unit with Water

- Open the main cold water supply to the unit and the mixer.
- Open the cold water side of the mixer with the BLUE dot.
- Open the hot side of the mixer with the RED dot. Allow all the air to expel from the installation and for the water to flow freely from the spout.
- Close both the cold and hot water sides on the mixer.

5. Connecting the Electricity Supply

- Plug the 15 Amp lead into the wall socket and switch “ON”.
- Adjust the External Temperature Control to the desired setting (recommended 60°C) and switch “ON” the unit. The amber light will glow indicating that the water is been heated.

Important Note:

After the first heating cycle of 26 minutes or more, depending on the size of the unit, drain off all the hot water to expel any contaminants i.e. solder flux.

Installation of the Over Basin Units

The area above the basin/sink must be bricked or tiled with no window, a 15 Amp wall socket should be within 1.5m of the unit and a 15mm female cold water connection positioned 350mm above and in the centre of the basin/sink.

1. Position for the Mixer (using the Kwikot Over Basin Mixer PMX-72) and Water Supply Connection

- Slide the chrome finishing trim onto the mixer and screw the mixer without the spout onto the 15mm female cold water connection. Make sure the spout connection points downwards and the mixer is tightened.
- Attach the spout.



2. Mounting the Unit

- The ideal height for the unit is +/-600mm from the top of the basin/sink to the bottom of the unit.
- Hold the unit against the wall and mark the unit's position.
- Remove the unit and drill two 8mm Ø holes 66mm horizontally apart (holes 45mm deep), with a masonry drill bit to fix the hanging bracket to the wall. Insert the two supplied expansion plugs into the holes.
- Fix the bracket to the wall by means of the two supplied screws and ensure that the bracket is level by using a split-level.
- Hang the unit onto the two hooks on the bracket.

3. Connecting the Mixer Pipes.

- Measure the length between the pipe connections on the bottom of the unit and the mixer and cut the pipes to size using a hacksaw or tube cutter.
- Slide the pipe nuts and sealing washers over the pipes and fit the pipes (hot and cold) onto the correct connections, ensuring all hoses are tightly fastened.

4. Filling the Unit with Water

- Open the main cold water supply to the unit and the mixer.
- Open the cold water side of the mixer with the BLUE dot.
- Open the hot side of the mixer with the RED dot. Allow all the air to expel from the installation and for the water to flow freely from the spout.
- Close both the cold and hot water sides on the mixer.

5. Connecting the Electricity Supply

- Plug the 15 Amp lead into the wall socket and switch "ON".
- Adjust the External Temperature Control to the desired setting (recommended 60°C) and switch "ON" the unit. The amber light will glow indicating that the water is been heated.

Important Note:

After the first heating cycle of 26 minutes or more, depending on the size of the unit, drain off all the hot water to expel any contaminants i.e. solder flux.



prisma

Classique

**POINT OF USE
ELECTRIC WATER HEATER**

Product Warranty

One Year on the Glasslined Inner Cylinder and on the Element and Thermostat.

Guarantees are applicable from date of purchase and validated by means of a purchase invoice, delivery note or submittance of a completed warranty card to Kwikot (card on last page of this manual).

The warranty is applicable in South Africa, Namibia, Lesotho, Swaziland and Botswana and subject to water conditions equivalent to main Metropolitan supply authorities.



IEC 60353-5-2-21

IPX4

CONTACT DETAILS

- **Kwikot Inland Division**

P.O. Box 1016
Benoni, 1500
Tel: (+2711) 897 4600
Fax: (+2711) 914 4750
Email: sales.inland@kwikot.com

**AFTER SALES SERVICE TEL:
0861 KWIKOT(594568)**

- **Kwikot KwaZulu-Natal Division**

P.O. Box 47366
Greyville
Durban, 4023
Tel: (+2731) 574 8700
Fax: (+2731) 574 8750
Email: sales.kwazulunatal@kwikot.com

- **Kwikot Western Cape Division**

P.O. Box 443
Eppindust
Cape Town, 7475
Tel: (+2721) 690 2700
Fax: (+2721) 690 2800
Email: sales.westerncape@kwikot.com

- **Kwikot Eastern Cape Division**

P.O. Box 29142
Sunridge Park
Port Elizabeth, 6008
Tel: (+2741) 399 4000
Fax: (+2741) 367 1005
Email: sales.easterncape@kwikot.com

- **Technical Information**

Email: technical.info@kwikot.com

- **Website: www.kwikot.com**



Date of installation: -----

HOMEOWNER/CUSTOMER'S DETAILS

Name: -----

Physical Address: -----



Postal Address: -----

Postal code: -----

Contact Tel: (-----) -----

Cell: -----

DETAILS OF NEW PRISMA CLASSIQUE

Type of unit installed: Over Basin Under Basin Capacity: ----- Litre

Serial Code/No: ----- Date of purchase: -----

Purchased from: -----

NB! Retain the purchase invoice or delivery note while the product is still under the warranty period.

INSTALLER'S DETAILS

Was the unit installed by: Yourself (D.I.Y installation)

Qualified Installer's Name: ----- A qualified plumber/installer

Contact Tel: (-----) ----- Cell: -----



prisma

Classique

**POINT OF USE
ELECTRIC WATER HEATER**

TO BE RETAINED BY THE HOME OWNER INSTALLERS DETAILS (IF NOT HOMEOWNER/CUSTOMER)

Name:

Physical Address:

.....

.....

Postal Address:

.....

.....

Postal code:

Tel (Work): (.....)

Fax (Work): (.....)

Cell:

e-mail:

.....
Signature of Installer

.....
Date of Installation

Place
postal
stamp
here

KWIKOT (Pty) Ltd
PO Box 389
Benoni
1500

