



# COMMERCIAL

*stainless steel*



**SANITARY  
EQUIPMENT**  
curved back urinals  
MODELS KCB101 & 102  
trough urinals MODEL KTU

SANITARY EQUIPMENT - CURVED BACK URINALS AND TROUGH URINALS



# COMMERCIAL

## stainless steel

### CURVED BACK URINALS KCB 101 & KCB 102

#### features model KCB 101

- For use with flush valve or high level cistern
- Concealed sparge pipe
- Grade 304 (18/10) Stainless Steel 1,2mm gauge
- Fully sound deadened

#### specification for KCB 101 curved back urinals

Kwikot Model KCB101 curved back urinal, length (please specify). Urinal to be fitted with one centre or left hand or right hand outlet (please specify).

##### RECOMMENDED INLETS

LENGTH (mm)	NO OF INLETS	NO OF FLUSH VALVES OR CISTERNS
600 to 2135	1	1
2285 to 3350	2	2
3365 to 4570	3	3
4875 to 6095	4	4

##### STANDARD LENGTH SIZES (mm) CENTRE OUTLET ONLY

915 1065 1220 1370 1525 1675 1830

#### features model KCB 102

- Built in automatic flushing tank
- 12mm adjustable drip cock for water supply
- Grade 304 (18/10) Stainless Steel
- Fully sound deadened

#### specification for KCB 102 curved back urinals

Kwikot Model KCB102 curved back urinal, length (please specify). Urinal to be fitted with one centre or left hand or right hand outlet (please specify).

##### STANDARD LENGTH SIZES (mm) CENTRE OUTLET ONLY

915 1065 1220 1370 1525 1675 1830

### TROUGH URINALS KTU

#### features model KTU

- 0.9mm Grade 304 (18/8) Stainless Steel
- Concealed sparge pipe
- Supplied with 28mm CP Conex coupling for connection to flush pipe or Junior flush valve
- Left or right hand outlets (provision for 40mm waste outlet)
- Sloped drip ledge
- Available with free standing end/s or tiling key/s for applications between walls

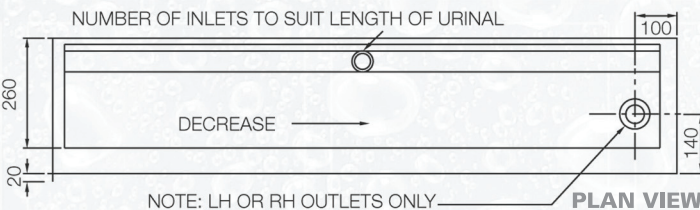
#### specification for KTU trough urinals

Kwikot Model KTU Trough Urinal, length...mm (please specify).

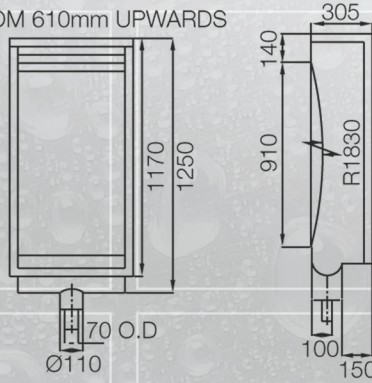
Urinal to be manufactured to fit between two walls/to one free end/against wall with two free standing ends (please specify). Urinal to be fitted with one right hand or left hand outlet (please specify).

##### STANDARD LENGTH SIZES (mm) CENTRE OUTLET ONLY

915 1065 1220 1370 1525 1675 1830



FROM 610mm UPWARDS

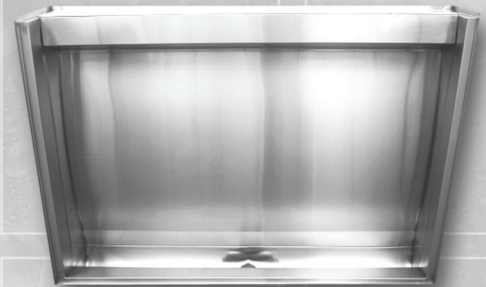


FRONT VIEW

SIDE VIEW



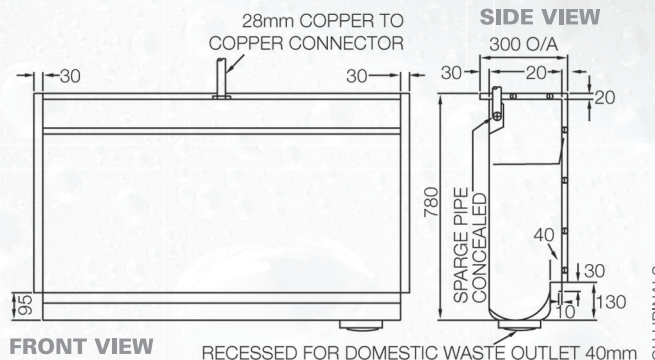
MODEL KCB101



MODEL KCB102



MODEL KTU



FRONT VIEW

SIDE VIEW

**Kwikot (Pty) Ltd  
Inland Division**  
P.O. Box 1016  
Benoni  
1500  
Tel: 011 897 4600  
Fax: 011 914 4750

**Kwikot (Pty) Ltd  
Kwazulu-Natal Division**  
P.O. Box 47366  
Greyville  
Durban  
4023  
Tel: 031 574 8700  
Fax: 031 574 8750

**Kwikot (Pty) Ltd  
Eastern Cape Division**  
P.O. Box 29142  
Sunridge Park  
Port Elizabeth  
6008  
Tel: 041 399 4000  
Fax: 041 367 1005

**Kwikot (Pty) Ltd  
Western Cape Division**  
P.O. Box 32072  
Ottery  
Cape Town  
7808  
Tel: 021 690 2700  
Fax: 021 690 2800

**After Sales Service :**  
**0861KWIKOT (594568)**

[www.kwikot.com](http://www.kwikot.com)