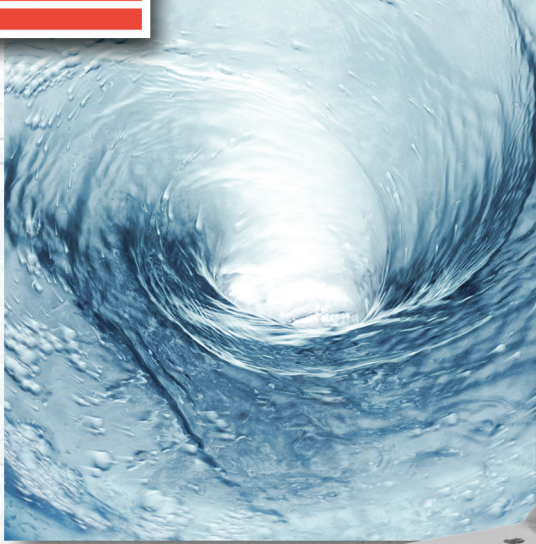




COMMERCIAL

stainless steel



**SANITARY
EQUIPMENT**
floor mounted
wc pan
SWC - PAN - FM

SANITARY EQUIPMENT - FLOOR MOUNTED WATER CLOSET PAN



COMMERCIAL

stainless steel

FLOOR MOUNTED WC PAN MODEL SWC-PAN-FM

features

- Grade 304 (18/10) Stainless Steel
- Durable
- Hygienic
- Complies with paper removal test: SABS 497:2006
- Complies with flushing test: SABS 1733:2007
- Inlet to suit standard flush pipe connections
- Outlet to suit standard PVC or cast iron sewerage systems

specification for model SWC - PAN - FM

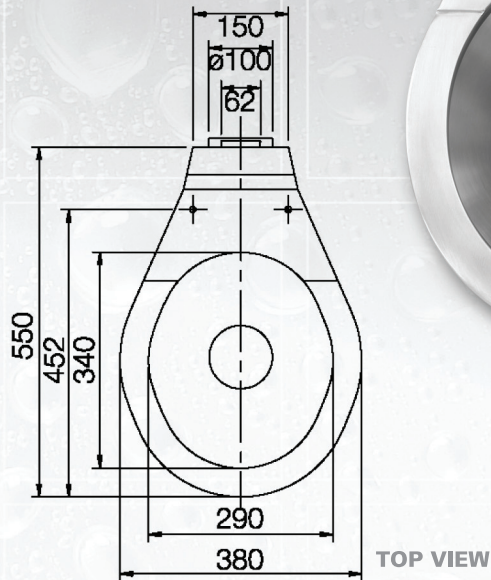
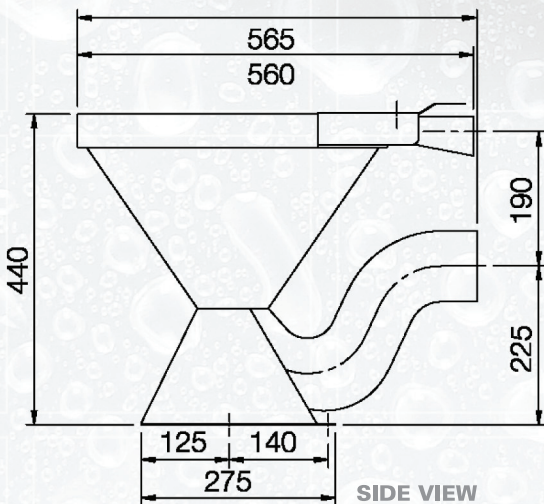
Kwikot floor mounted WC pan Code: SWC-PAN-FM manufactured from 304 (18/10) Stainless Steel with concealed flushing rim and integral Stainless Steel 110mm Ø "P" trap and back entry flush pipe inlet. Provision to be made for standard seat hole. Fixed to floor with anchor bolts. (Supplied by installer).

optional flushing systems

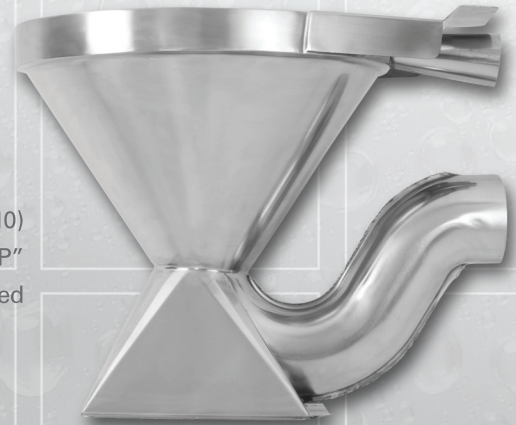
- Surface mounted or concealed flush valve
- 11 Litre low-level cistern

standard size for model SWC - PAN - FM

MODEL	WIDTH (mm)	DEPTH (mm)
SWC-PAN-FM	550	380



MODEL SWC-PAN-FM



SANITARY EQUIPMENT - FLOOR MOUNTED WATER CLOSET PAN

**Kwikot (Pty) Ltd
Inland Division**
P.O. Box 1016
Benoni
1500
Tel: 011 897 4600
Fax: 011 914 4750

After Sales Service :
0861KWIKOT (594568)

**Kwikot (Pty) Ltd
Kwazulu-Natal Division**
P.O. Box 47366
Greyville
Durban
4023
Tel: 031 574 8700
Fax: 031 574 8750

www.kwikot.com

**Kwikot (Pty) Ltd
Eastern Cape Division**
P.O. Box 29142
Sunridge Park
Port Elizabeth
6008
Tel: 041 399 4000
Fax: 041 367 1005

**Kwikot (Pty) Ltd
Western Cape Division**
P.O. Box 32072
Ottery
Cape Town
7808
Tel: 021 690 2700
Fax: 021 690 2800