

# PRESSURE CONTROL VALVES

*domestic range*



BALANCED

# PRESSURE

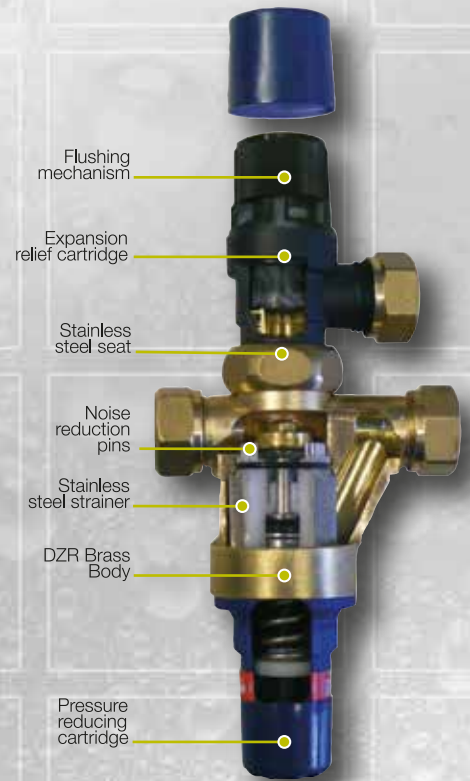
PRESSURE CONTROL VALVES AND HOUSE WATER STATIONS

## product features

- The Kwikot Mono Valve body is manufactured from high grade forged DZR Brass with stainless steel relief seat.
- The fully serviceable cartridge with stainless steel strainer and spindle makes this valve suitable for domestic plumbing applications with a long service lifespan.
- The compact design with integral expansion relief valve lends itself to ease of installation, with 15mm and 22mm copper-to-copper connections.
- The expansion relief valve has a rotating flushing mechanism, which can be rotated through 360° and flushes dirt and sediment from the valve.

## product specification data

Kwikot Mono Valves comply with SANS 198 Specification (Control and Functional Valves) and carry the SABS mark of approval.



Product Code	Connection Sizes and Type	Pressure Rating
KHN3.104	15mm Copper to Copper Compression Connections	400kPa
KHN3.106	15mm Copper to Copper Compression Connections	600kPa
KHN3.112	22mm Copper to Copper Compression Connections	200kPa
KHN3.114	22mm Copper to Copper Compression Connections	400kPa
KHN3.116	22mm Copper to Copper Compression Connections	600kPa



KHN3.104



KHN3.106



KHN3.112



KHN3.114



KHN3.116

## replacement cartridges, expansion relief valves & tools

Product Code	Pressure Control Valve Cartridges	Product Code	Expansion Relief Cartridges
KHN3.102C	Cartridge for Pressure Control Valves 200kPa	KH2.152C	Cartridge for Expansion Relief Valves 200kPa
KHN3.104C	Cartridge for Pressure Control Valves 400kPa	KH2.154C	Cartridge for Expansion Relief Valves 400kPa
KHN3.106C	Cartridge for Pressure Control Valves 600kPa	KH2.156C	Cartridge for Expansion Relief Valves 600kPa
Product Code	Tools	Product Code	Expansion Relief Valves
KH2.000	Spanner (to Remove and Replace Cartridges)	KH2.254T	15mm Expansion Relief (Grivory), 400kPa
		KH2.256T	15mm Expansion Relief (Grivory), 600kPa

## product installation data

The Kwikot Mono and Multi Valves should be installed on the outside of the dwelling on the incoming cold water supply from the water main.

The valves can be installed in a horizontal or vertical position. The forged arrow (►) on the brass body indicates the direction of the water flow.

## product warranty

The Kwikot Mono and Multi Valves have a two year warranty from date of purchase, (proof of purchase invoice to be supplied), against manufacturing defects and such goods will be replaced or repaired at Kwikot's discretion free of charge.

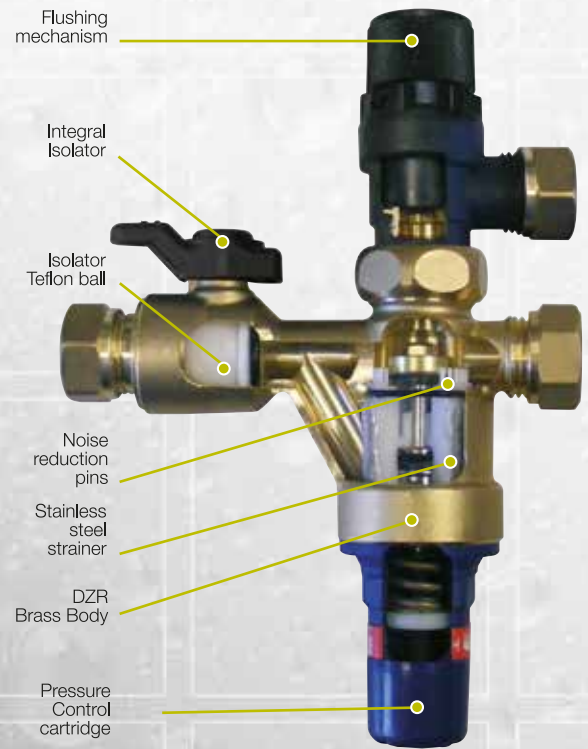


## product features

- The Kwikot Multi Valve body is manufactured from high grade forged DZR Brass with stainless steel relief seat.
- The fully serviceable cartridge with stainless steel strainer and spindle makes this valve suitable for domestic plumbing applications with a long service lifespan.
- The body incorporates an isolating valve with a non-corrosive Teflon ball, allowing the water supply to be shut off at the valve.
- The compact design with integral expansion relief valve lends itself to ease of installation, with 15mm and 22mm copper-to-copper connections and 20mm male iron connections.
- The expansion relief valve has a rotating flushing mechanism, which can be rotated through 360° and flushes dirt and sediment from the valve.

## product specification data

Kwikot Multi Valves comply with SANS 198 Specification (Control and Functional Valves) and carry the SABS mark of approval.



Product Code	Connection Sizes and Type	Pressure Rating
KHN3.204	15mm Copper to Copper Compression Connections	400kPa
KHN3.206	15mm Copper to Copper Compression Connections	600kPa
KHN3.212	22mm Copper to Copper Compression Connections	200kPa
KHN3.214	22mm Copper to Copper Compression Connections	400kPa
KHN3.216	22mm Copper to Copper Compression Connections	600kPa
KHN3.224	20mm Male Iron Connections	400kPa
KHN3.226	20mm Male Iron Connections	600kPa



KHN3.204



KHN3.206



KHN3.212



KHN3.214



KHN3.216



KHN3.224



KHN3.226

## Pressure Control Valve with Y-Strainer and Lever Ball Valve



House Water Station

### product features

- A House Water Station (HWS) comprising of a Kwikot Mono Pressure Control Valve, Kwikot Y-Strainer and Kwikot Lever Ball Valve assembled in an aesthetically appealing polyethylene box.
- Mounted to the outside wall with 22mm Male Threaded Connections on the inlet and outlet, this HWS offers easy access when having to shut off the water flow into the house, by closing the Lever Ball Valve.
- Maintenance to any component in the HWS can easily be carried out.
- The Kwikot Mono Valve body is manufactured from high grade forged DZR Brass with stainless steel relief seat.
- The fully serviceable cartridge with stainless steel strainer and spindle makes this valve suitable for domestic plumbing applications with a long service lifespan.
- The compact design with integral expansion relief valve lends itself to ease of installation.
- The expansion relief valve has a rotating flushing mechanism, which can be rotated through 360° and flushes dirt and sediment from the valve.

### product specification data

- Kwikot Mono Valves comply with SANS 198 Specification (Control and Functional Valves) and carry the SABS mark of approval.

Product Code	Connection Sizes and Type	Pressure Rating
KHN3.134	22mm Male Threaded Connections Inlet/Outlet	400kPa
KHN3.136	22mm Male Threaded Connections Inlet/Outlet	600kPa

### product installation data

The Kwikot Mono Box should be installed on the outside of the dwelling on the incoming cold water supply from the water main. The valves can be installed in a horizontal or vertical position. The forged arrow (▶) on the brass body of the Mono Pressure Control Valve indicates the direction of the water flow.

### product warranty

Two years from date of purchase on the PCV and one year on the Y-strainer and Lever Ball Valve (proof of purchase invoice to be supplied) against manufacturing defects, such goods will be replaced or repaired at Kwikot's discretion free of charge.

### kwikot branch contact details:

#### kwikot (pty) ltd inland division

PO Box 1016, Benoni, 1500  
Tel: (011) 897 4600

#### Domestic Sales

email: sales.inland@kwikot.com  
AFTER SALES SERVICE TEL:  
0861 KWIKOT (594568)

#### Export Sales:

email: sales.export@kwikot.com

#### Marketing:

email: marketing.info@kwikot.com

#### Technical:

email: technical.info@kwikot.com

#### kwikot (pty) ltd eastern cape division

PO Box 29142, Sunridge Park, Port Elizabeth, 6008  
Tel: (041) 399 4000  
Fax: (041) 367 1005

#### Domestic Sales

Email: sales.easterncape@kwikot.com

#### kwikot (pty) ltd western cape division

PO Box 32072, Ottery, Cape Town, 7808  
Tel: (021) 690 2700  
Fax: (021) 690 2800

#### Domestic Sales

Email: sales.westerncape@kwikot.com

#### kwikot (pty) ltd kwazulu-natal division

P O Box 47366, Greyville, Durban, 4023  
Tel: (031) 574 8700  
Fax: (031) 574 8750

#### Domestic Sales

email: sales.kwazulunatal@kwikot.com