



COMMERCIAL

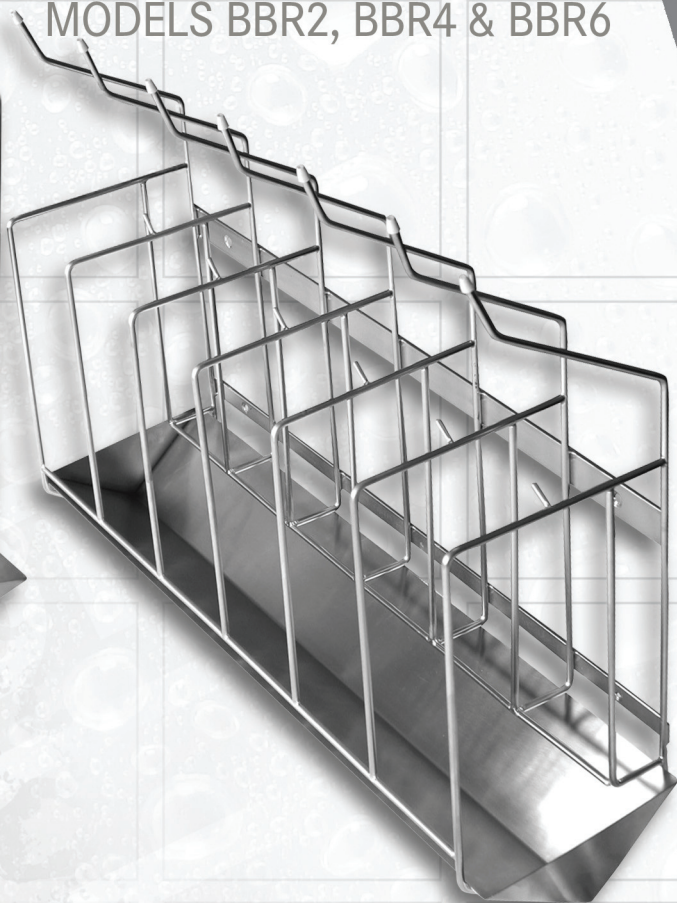
stainless steel



HOSPITAL EQUIPMENT

bedpan and bottle racks

MODELS BBR2, BBR4 & BBR6





COMMERCIAL

stainless steel

BEDPAN & BOTTLE RACK MODELS BBR2, BBR4 & BBR6



features

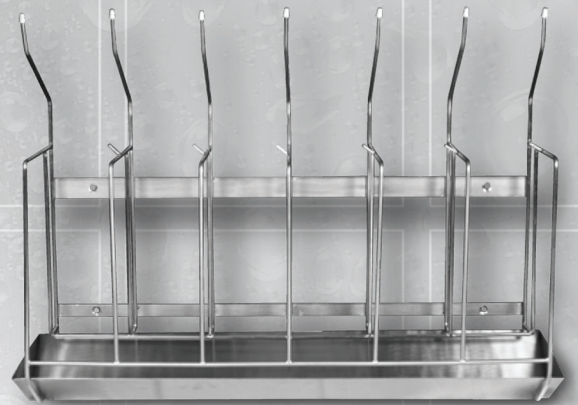
- Grade 304 (18/10) Stainless Steel 1,2mm gauge
- Hygienic and durable
- Available in three standard sizes
- Rubber grommets to ends of bottle rack to prevent scratching of bottles
- Removable Stainless Steel drip tray



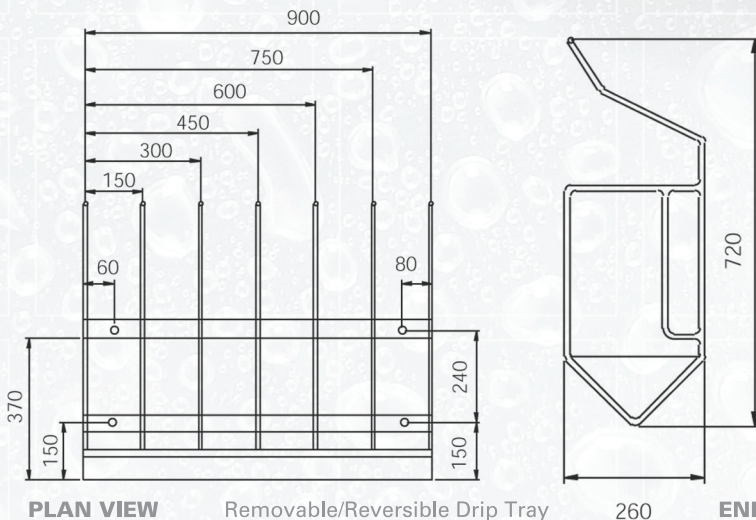
MODEL BBR2



MODEL BBR6



standard size for models BBR2, BBR4 & BBR6



MODEL	DIMENSIONS (LxHxD)	NO OF PANS	NO OF BOTTLES
BBR2	305x560x260	2	3
BBR4	610x560x260	4	5
BBR6	915x560x260	6	7

HOSPITAL EQUIPMENT - BEDPAN & BOTTLE RACKS

**Kwikot (Pty) Ltd
Inland Division**
P.O. Box 1016
Benoni
1500
Tel: 011 897 4600
Fax: 011 914 4750

After Sales Service :
0861KWIKOT (594568)

**Kwikot (Pty) Ltd
Kwazulu-Natal Division**
P.O. Box 47366
Greyville
Durban
4023
Tel: 031 574 8700
Fax: 031 574 8750

www.kwikot.com

**Kwikot (Pty) Ltd
Eastern Cape Division**
P.O. Box 29142
Sunridge Park
Port Elizabeth
6008
Tel: 041 399 4000
Fax: 041 367 1005

**Kwikot (Pty) Ltd
Western Cape Division**
P.O. Box 32072
Ottery
Cape Town
7808
Tel: 021 690 2700
Fax: 021 690 2800