



COMMERCIAL

stainless steel



**HOSPITAL
EQUIPMENT**
plaster of paris
preparation sink
MODEL POPGL

HOSPITAL EQUIPMENT - PLASTER OF PARIS PREPARATION SINK



COMMERCIAL

stainless steel

PLASTER OF PARIS PREPARATION SINK MODEL POPGL

features

- Grade 304(18/10) Stainless Steel
- Hygienic and durable
- Plaster bowl with removable strainer and lid
- Hospital bead to prevent spillage
- Rinse bowl discharging into plaster bowl

specifications for model POPGL plaster of paris preparation sink

Kwikot Model POPGL size 1500 x 550mm Plaster of Paris preparation sink, with a 150mm high integral splashback to the rear. The unit is fitted with a preparation bowl measuring 550 x 375 x 230mm deep with a waste outlet discharging into a cylinder measuring 250mm round 625mm deep. Waste cylinder fitted with Stainless Steel lid and removeable strainer with provision for 40mm \varnothing round waste outlet. The underside of the draining board fitted with mild steel galvanised backing sheet and supporting frame. Unit to be fitted with 40 x 40mm square Stainless Steel gallows brackets and 40mm square Stainless Steel front legs with adjustable foot pieces OR four 41mm \varnothing round legs with adjustable foot pieces.

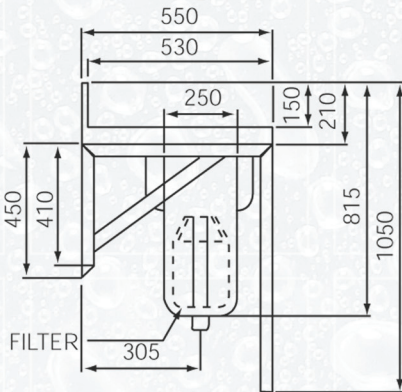


MODEL POPGL

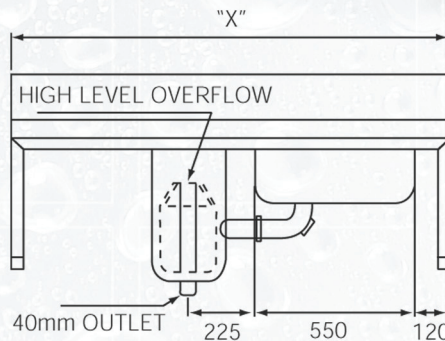


HOSPITAL EQUIPMENT - PLASTER OF PARIS PREPARATION SINK

standard sizes for model POPGL plaster of paris preparation sink



PLAN VIEW



END VIEW

LENGTH (mm)	WIDTH (mm)
1320	550
1500	550

**Kwikot (Pty) Ltd
Inland Division**
P.O. Box 1016
Benoni
1500
Tel: 011 897 4600
Fax: 011 914 4750

After Sales Service :
0861KWIKOT (594568)

**Kwikot (Pty) Ltd
Kwazulu-Natal Division**
P.O. Box 47366
Greyville
Durban
4023
Tel: 031 574 8700
Fax: 031 574 8750

www.kwikot.com

**Kwikot (Pty) Ltd
Eastern Cape Division**
P.O. Box 29142
Sunridge Park
Port Elizabeth
6008
Tel: 041 399 4000
Fax: 041 367 1005

**Kwikot (Pty) Ltd
Western Cape Division**
P.O. Box 32072
Ottery
Cape Town
7808
Tel: 021 690 2700
Fax: 021 690 2800