



# COMMERCIAL

*stainless steel*



**SANITARY  
EQUIPMENT**  
**wall hung  
WC pan**

SWC-PAN-WM

SANITARY EQUIPMENT - WALL HUNG WATER CLOSET PAN





# COMMERCIAL

## stainless steel

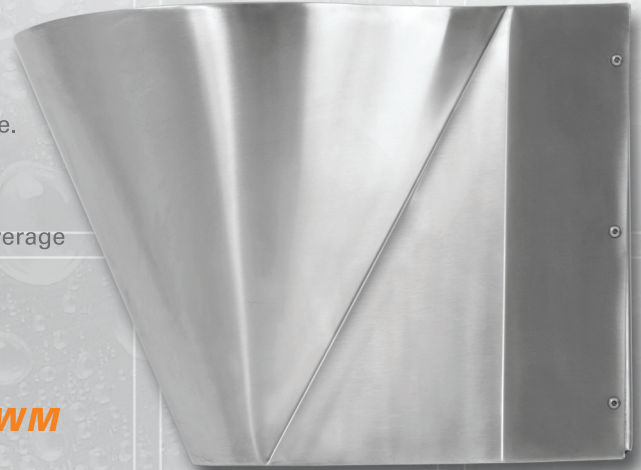


### WALL HUNG WC PAN MODEL SWC - PAN - WM

#### features

- Grade 304 (18/10) Stainless Steel
- Durable
- Hygienic
- Outer body totally enclosed
- Complies with paper removal test: SABS 497:2:006
- Complies with flushing test: SABS 1733:2007
- External surfaces of 1,2mm gauge. Mounting panel 3mm gauge.
- Integral "P" trap and WC shroud
- All plumbing built into wall
- Inlet and outlet to suit standard flush pipe/PVC or cast iron sewerage systems.
- Seat provision
- Fixed to wall with 12mm anchor bolts (Supplied by installer).

MODEL SWC-PAN-WM

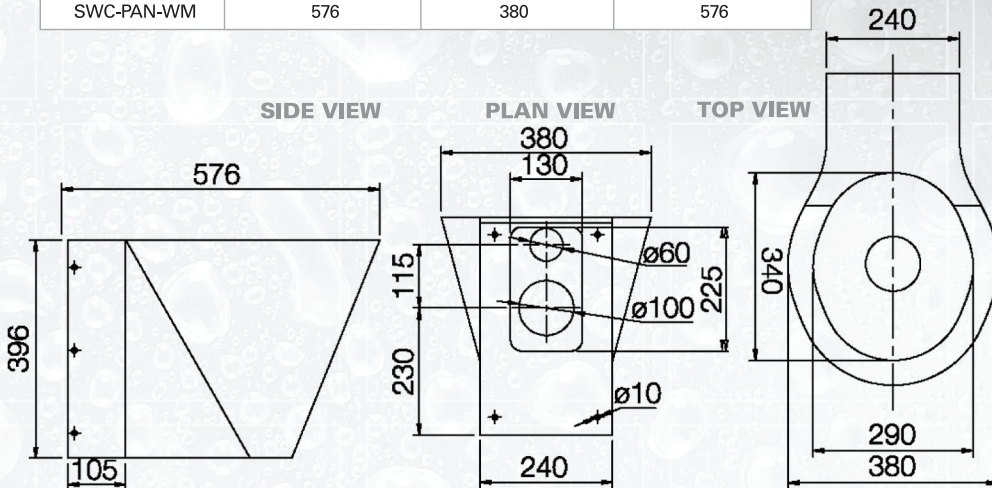


#### specifications for model SWC - PAN - WM

Kwikot Wall Hung WC Pan Code: SWC-PAN-WM manufactured from Grade 304 (18/10) Stainless Steel complete with pressed integral "P" trap and wall mounting bracket.

#### standard size for model SWC - PAN - WM

MODEL	HEIGHT (mm)	WIDTH (mm)	DEPTH
SWC-PAN-WM	576	380	576



SANITARY EQUIPMENT - WALL HUNG WATER CLOSET PAN

**Kwikot (Pty) Ltd  
Inland Division**  
P.O. Box 1016  
Benoni  
1500  
Tel: 011 897 4600  
Fax: 011 914 4750

**Kwikot (Pty) Ltd  
Kwazulu-Natal Division**  
P.O. Box 47366  
Greyville  
Durban  
4023  
Tel: 031 574 8700  
Fax: 031 574 8750

**Kwikot (Pty) Ltd  
Eastern Cape Division**  
P.O. Box 29142  
Sunridge Park  
Port Elizabeth  
6008  
Tel: 041 399 4000  
Fax: 041 367 1005

**Kwikot (Pty) Ltd  
Western Cape Division**  
P.O. Box 32072  
Ottery  
Cape Town  
7808  
Tel: 021 690 2700  
Fax: 021 690 2800

**After Sales Service :  
0861KWIKOT (594568)**

[www.kwikot.com](http://www.kwikot.com)