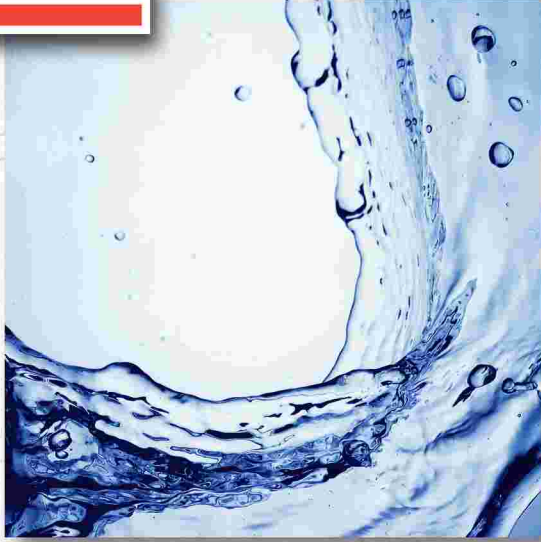




COMMERCIAL

stainless steel



**SANITARY
EQUIPMENT**
curved back urinals
MODELS KCB101 & 102
trough urinals MODEL KTU

SANITARY EQUIPMENT - CURVED BACK URINALS AND TROUGH URINALS



COMMERCIAL

stainless steel

CURVED BACK URINALS KCB 101 & KCB 102

features model KCB 101

- For use with flush valve or high level cistern
- Concealed sparge pipe
- Grade 304 (18/10) Stainless Steel 1,2mm gauge
- Fully sound deadened

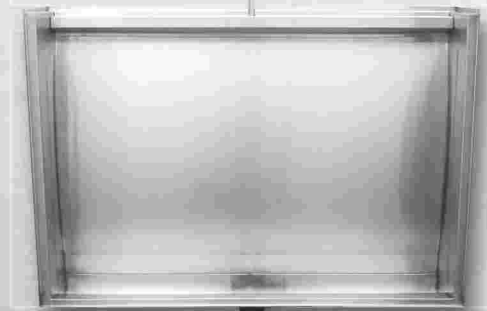
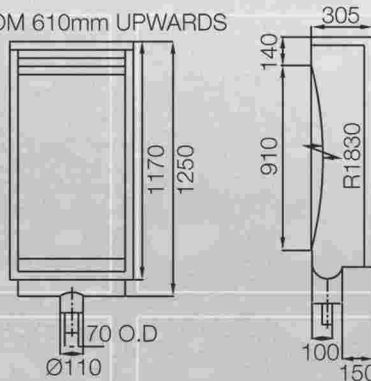
specification for KCB 101 curved back urinals

Kwikot Model KCB101 curved back urinal, length (please specify). Urinal to be fitted with one centre or left hand or right hand outlet (please specify).

RECOMMENDED INLETS

LENGTH (mm)	NO OF INLETS	NO OF FLUSH VALVES OR CISTERNS
600 to 2135	1	1
2285 to 3350	2	2
3365 to 4570	3	3
4875 to 6095	4	4

FROM 610mm UPWARDS



MODEL KCB101

STANDARD LENGTH SIZES (mm) CENTRE OUTLET ONLY

915 1065 1220 1370 1525 1675 1830

features model KCB 102

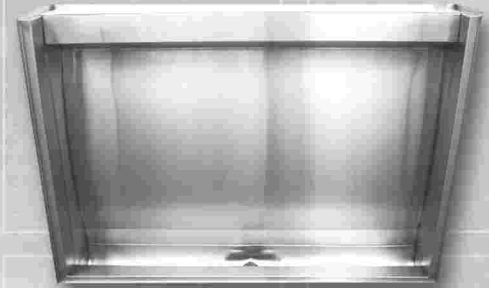
- Built in automatic flushing tank
- 12mm adjustable drip cock for water supply
- Grade 304 (18/10) Stainless Steel
- Fully sound deadened

specification for KCB 102 curved back urinals

Kwikot Model KCB102 curved back urinal, length (please specify). Urinal to be fitted with one centre or left hand or right hand outlet (please specify).

STANDARD LENGTH SIZES (mm) CENTRE OUTLET ONLY

915 1065 1220 1370 1525 1675 1830



MODEL KCB102

TROUGH URINALS KTU

features model KTU

- 0.9mm Grade 304 (18/8) Stainless Steel
- Concealed sparge pipe
- Supplied with 28mm CP Conex coupling for connection to flush pipe or Junior flush valve
- Left or right hand outlets (provision for 40mm waste outlet)
- Sloped drip ledge
- Available with free standing end/s or tiling key/s for applications between walls

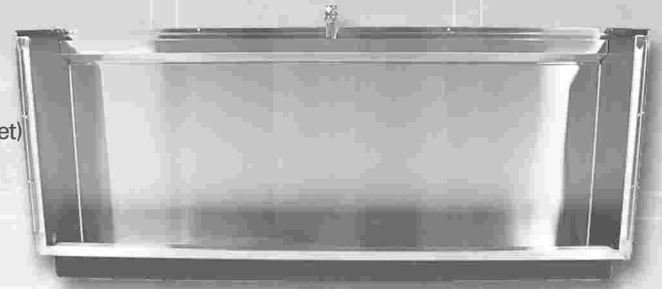
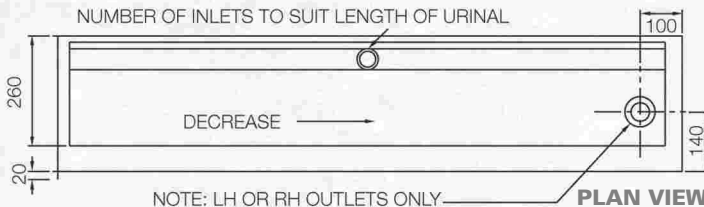
specification for KTU trough urinals

Kwikot Model KTU Trough Urinal, length...mm (please specify).

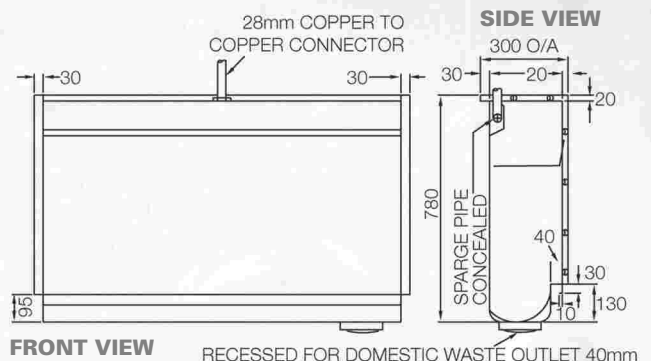
Urinal to be manufactured to fit between two walls/to one free end/against wall with two free standing ends (please specify). Urinal to be fitted with one right hand or left hand outlet (please specify).

STANDARD LENGTH SIZES (mm) CENTRE OUTLET ONLY

915 1065 1220 1370 1525 1675 1830



MODEL KTU



RECESSED FOR DOMESTIC WASTE OUTLET 40mm

**Kwikot (Pty) Ltd
Inland Division**
P.O. Box 1016
Benoni
1500
Tel: 0118974600
Fax: 0119144750

**Kwikot (Pty) Ltd
Kwazulu-Natal Division**
P.O. Box 47366
Greyville
Durban
4023
Tel: 0315748700
Fax: 0315748750

**Kwikot (Pty) Ltd
Eastern Cape Division**
P.O. Box 3082
North End
Port Elizabeth
6056
Tel: 0413730575
Fax: 0413730577

**Kwikot (Pty) Ltd
Western Cape Division**
P.O. Box 443
Eppingdust
Cape Town
7475
Tel: 0215343691
Fax: 0215341606

After Sales Service:
0861KWIKOT (594568)

www.kwikot.com

Kwikot, over a century of reliability