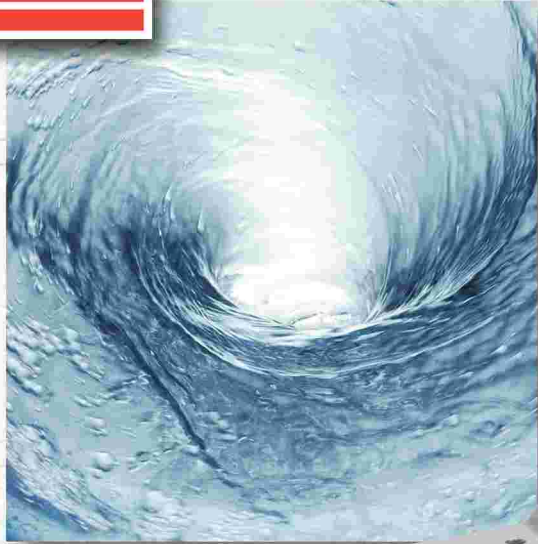




COMMERCIAL

stainless steel



**SANITARY
EQUIPMENT**
floor mounted
wc pan
SWC - PAN - FM

SANITARY EQUIPMENT - FLOOR MOUNTED WATER CLOSET PAN



COMMERCIAL

stainless steel

FLOOR MOUNTED WC PAN MODEL SWC-PAN-FM

features

- Grade 304 (18/10) Stainless Steel
- Durable
- Hygienic
- Complies with paper removal test: SABS 497:2006
- Complies with flushing test: SABS 1733:2007
- Inlet to suit standard flush pipe connections
- Outlet to suit standard PVC or cast iron sewerage systems

specification for model SWC - PAN - FM

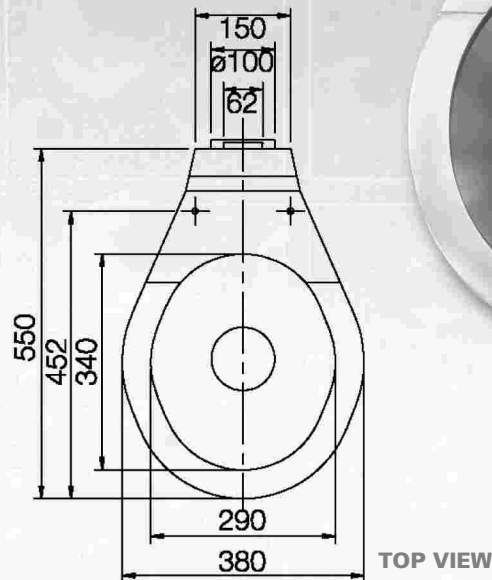
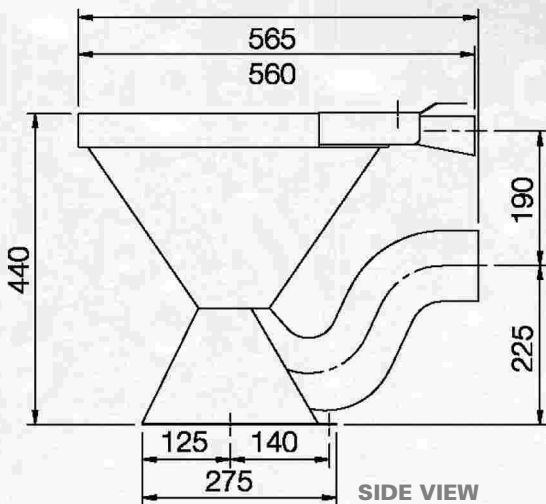
Kwikot floor mounted WC pan Code: SWC-PAN-FM manufactured from 304 (18/10) Stainless Steel with concealed flushing rim and integral Stainless Steel 110mm Ø "P" trap and back entry flush pipe inlet. Provision to be made for standard seat hole. Fixed to floor with anchor bolts. (Supplied by installer).

optional flushing systems

- Surface mounted or concealed flush valve
- 11 Litre low-level cistern

standard size for model SWC - PAN - FM

MODEL	WIDTH (mm)	DEPTH (mm)
SWC-PAN-FM	550	380



MODEL SWC-PAN-FM



SANITARY EQUIPMENT - FLOOR MOUNTED WATER CLOSET PAN

**Kwikot (Pty) Ltd
Inland Division**
P.O. Box 1016
Benoni
1500
Tel: 0118974600
Fax: 0119144750

**Kwikot (Pty) Ltd
Kwazulu-Natal Division**
P.O. Box 47366
Greyville
Durban
4023
Tel: 0315748700
Fax: 0315748750

**Kwikot (Pty) Ltd
Eastern Cape Division**
P.O. Box 3082
North End
Port Elizabeth
6056
Tel: 0413730575
Fax: 0413730577

**Kwikot (Pty) Ltd
Western Cape Division**
P.O. Box 443
Eppingdust
Cape Town
7475
Tel: 0215343691
Fax: 0215341606

**After Sales Service:
0861KWIKOT (594568)**

www.kwikot.com

Kwikot, over a century of reliability