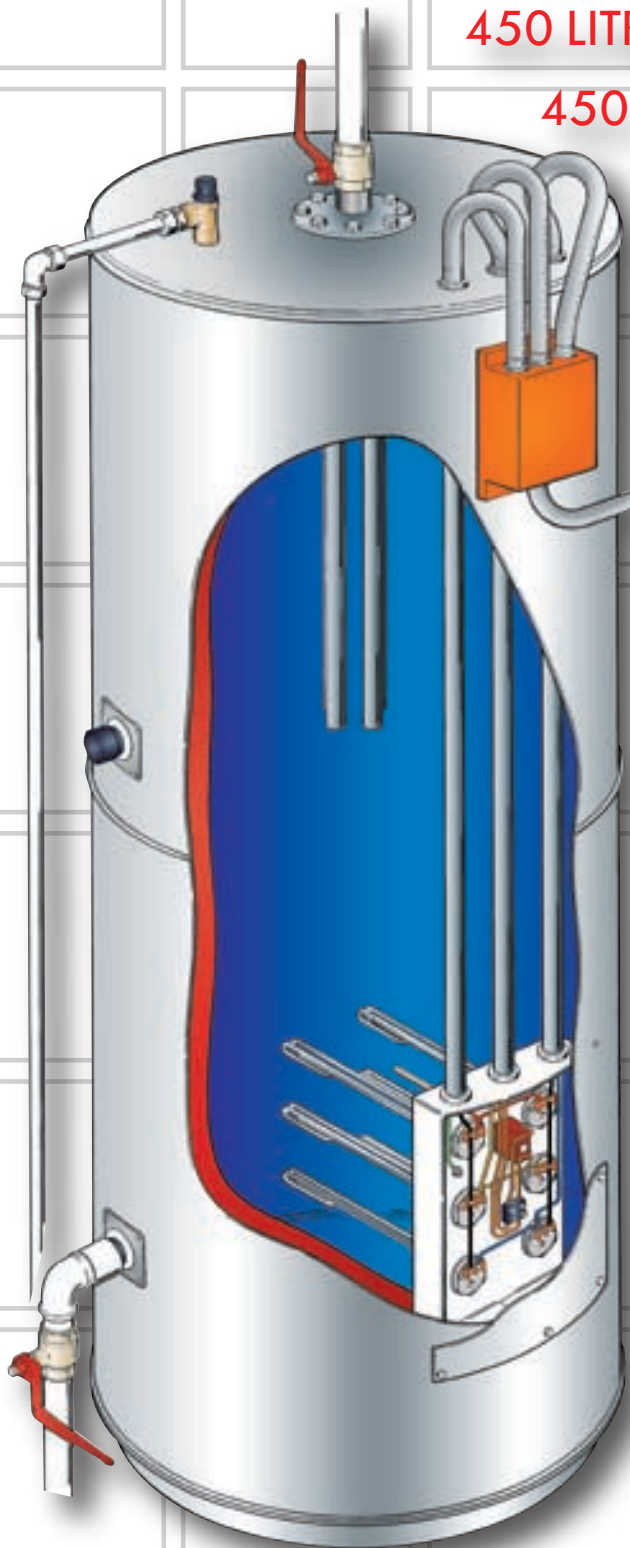


# megaflo 450 litre

*electric water heaters*

450 LITRE HORIZONTAL  
450 LITRE VERTICAL



LIGHT COMMERCIAL ELECTRIC WATER HEATERS



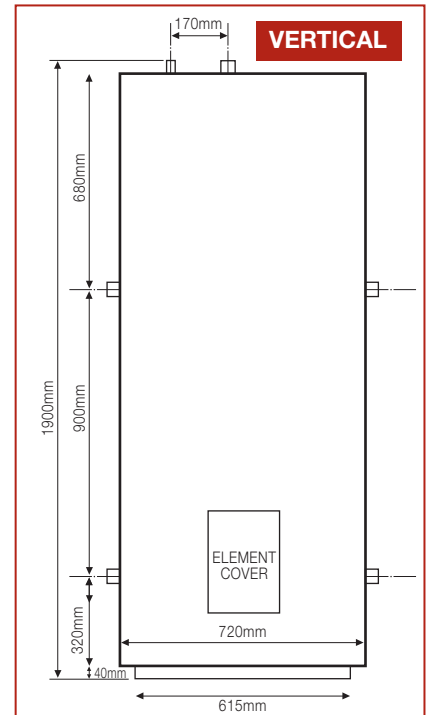
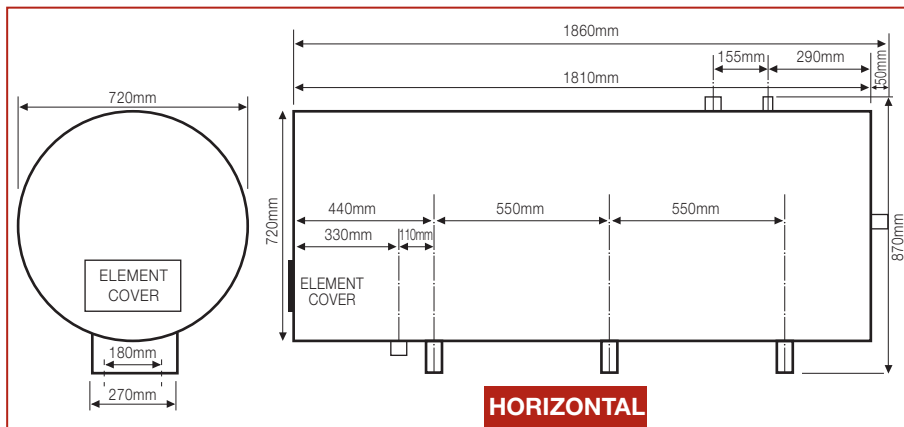
## Electric Water Heater

### product features

- Megafile 450 litre electric water heaters have been designed for light commercial and large domestic hot water applications.
- When used with good mains pressure, the water heater can be installed almost anywhere - floor standing or roof.
- Megafile 450 litre water heaters have a polyurethane foam insulation and are finished with a galvanised outer casement.
- The element load cannot be switched directly through the thermostat and a contactor switch rated 30Amp AC1 duty must be utilised. The contactor switch is not a standard component and must be specified and purchased separately.
- Megafile 450 litre can be installed in all areas. For aggressive water conditions, "incolloy" electric heating elements can be requested at an additional cost.
- Megafile 450 litre water heaters operate up to **400kPa** and will work efficiently under lower pressures.

### product specification data

Product Code	Capacity (Litres)	Element Rating (Kw)	Operating Pressure (kPa)	Mass Empty (kg)	Connections (mm) (male iron)
MF 450V (vertical)	450	18	Up to 400	124	40
MF 450H (horizontal)	450	12	Up to 400	129	40



- Complies to SABS 151-1992 Specification.

### standard fitted accessories

- Immersion elements.
- Fail-safe thermostat graduated between 30°C and 70°C.
- Flange plate with magnesium sacrificial anodes.
- Thermostat pocket.
- The safety valve (supplied fitted to water heater) is designed to release water if the pressure in the water heater approaches **400kPa** or if the temperature approaches 94°C. The safety valve is fitted with a 20mm male thread connection and the overflow is a 22mm Conex, which must be piped with a metallic overflow pipe to the exterior of the building.

### product installation data

- The water heater must be installed under cover (inside or outside) and not exposed directly to climatic weather conditions.
- The following minimum installation clearance must be allowed for: 500mm clear space around the Safety Valve and for servicing the anodes.
- 300mm clear space immediately in front of the electrical cover plate.
- Do not wall mount.

### product warranty and anode servicing

The period of guarantee is from the date of installation providing that documentation of proof of installation is furnished, or alternatively from date of manufacture as determined from the serial plate or date stamp code.

- One year on the standard immersion VKF7" elements, thermostat and flange assembly plate and gasket.
- Two years on the Safety Valve.
- Three Years on the inner cylinder, subject to water conditions equivalent to main Metropolitan supply authorities. This guarantee is subject to only genuine Kwikot replacement parts (element and thermostat etc) been used whilst the inner cylinder is still under guarantee.
- The guarantee on the installation is the responsibility of the installer. Water specification and Anode servicing/replacement is as follows:

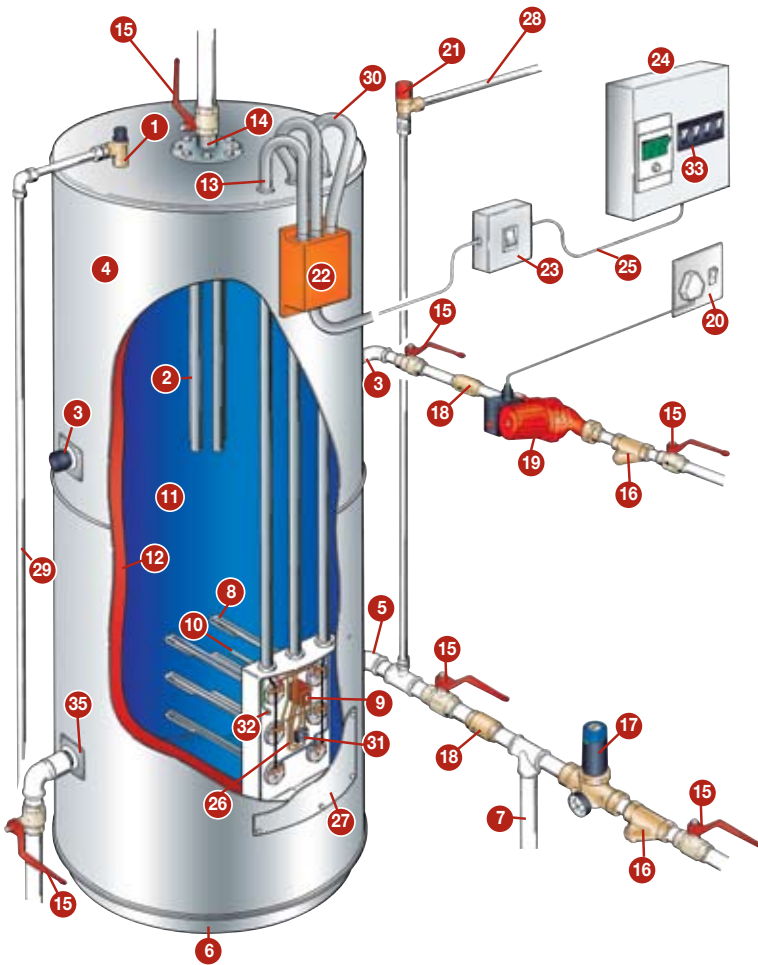
Total Dissolved Solids (Parts per Million)	Recommended Anode Replacement
100-600	3 Years
601-1000	2 Years
Over 1000	1 Year



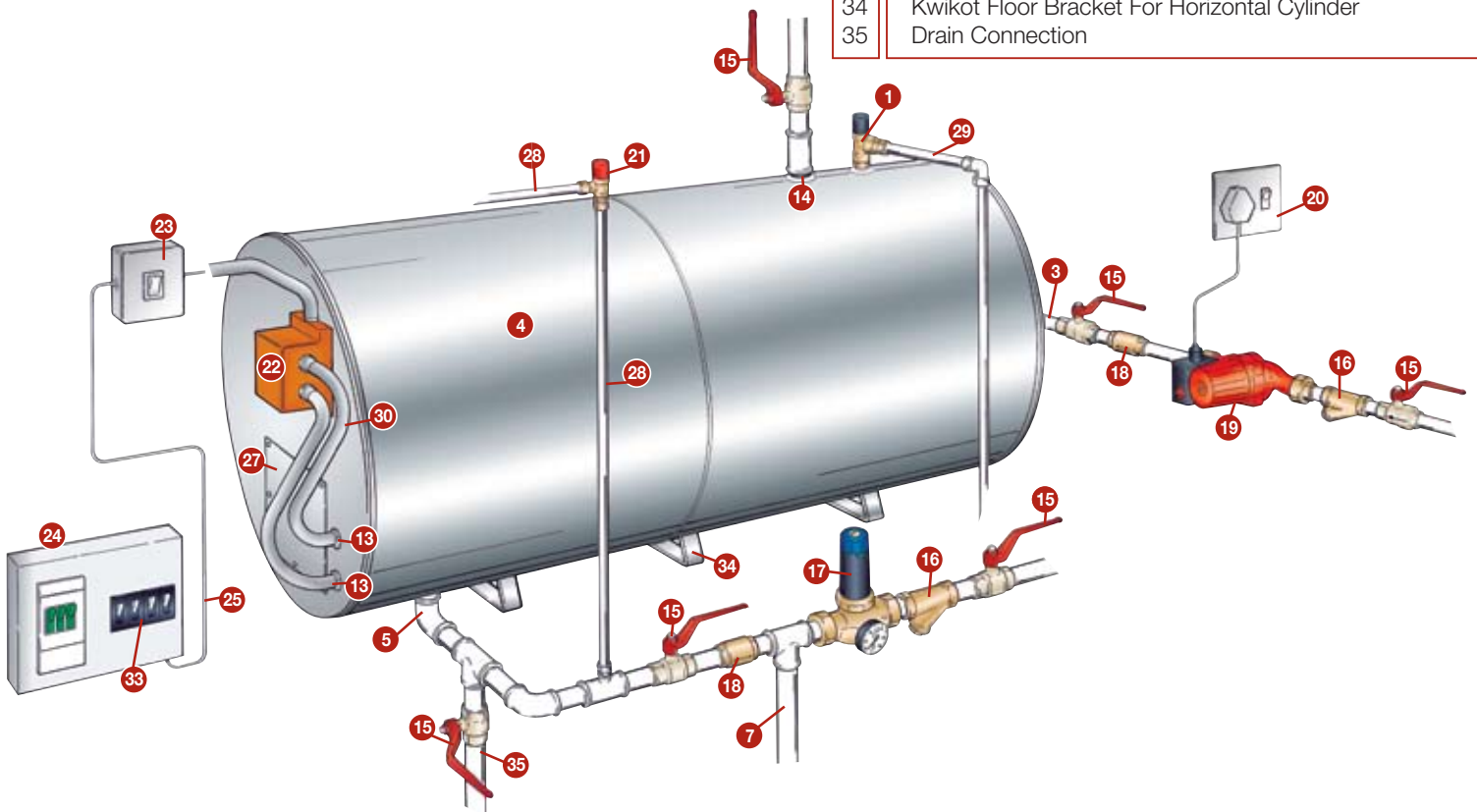
**mega flo**  
450 litre

Electric Water Heater

pip ing and component installation



Product Description	
1	Kwikot T & P Safety Valve (400kpa)
2	4 X Sacrificial Anodes
3	40mm Return Connection
4	0,8mm Galvanised Sheet Steel
5	Cold Water Inlet
6	Floor Standing Base Ring For Vertical Only
7	Balanced Cold Water Draw Off To Other Services
8	6 X 3kw Standard Immersion Elements (vertical Only)
9	Kwikot VKF 7" Thermostat Set At 60° C
10	Kwikot Thermostat Pocket
11	Thermofused Porcelain Coating
12	50mm Polyurethane Foam Insulation
13	25mm Electrical Conduit Entry
14	40mm Hot Water Outlet
15	Kwikot Isolating Lever-Ball Valve
16	Kwikot Strainer
17	Kwikot Pressure Reducing Valve With or Without Gauge
18	Kwikot Non-return Valve
19	Kwikot Inline Circulation Pump
20	15 Amp Wall Socket
21	Kwikot 400kpa Expansion Relief Valve
22	Contactor Switch
23	3 Phase Isolator
24	Distribution Board (3 Phase)
25	Supply Cable
26	Thermostat Control Wires
27	Electrical Cover Plate
28	Expansion Overflow Pipe (metallic)
29	Safety Overflow Pipe (metallic)
30	Flexible Conduit
31	Terminal Block
32	Earth Stud
33	3-phase Circuit Breaker
34	Kwikot Floor Bracket For Horizontal Cylinder
35	Drain Connection



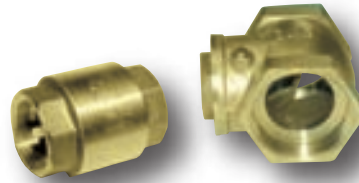


# INSTALLATION COMPONENTS AVAILABLE FROM KWIKOT

**kwikot lever ball valves**  
15mm to 100mm



**kwikot non return valves**  
15mm to 100mm



**kwikot in-line strainers**  
15mm to 100mm



**kwikot circulating pumps**  
Various Sizes Available

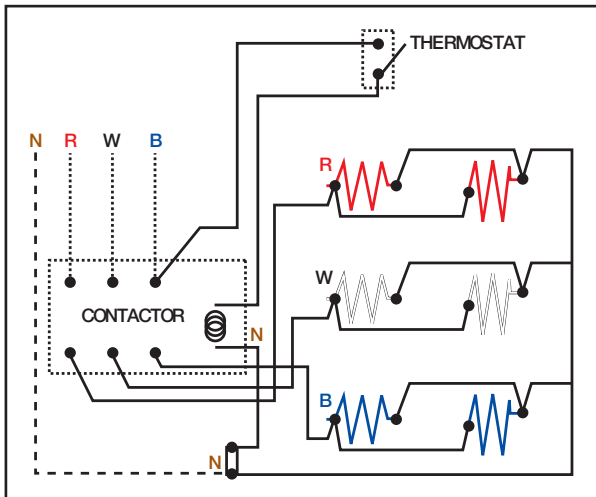


**kwikot pressure reducing valves**  
15mm to 100mm (150kPa to 600kPa)

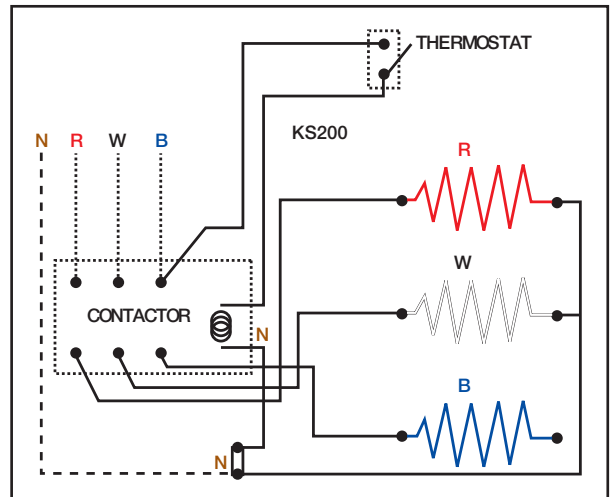


LIGHT COMMERCIAL ELECTRIC WATER HEATERS

## electric wiring diagram



**450 LITRE VERTICAL 6X3KW ELEMENTS**



**450 LITRE HORIZONTAL 3X4KW ELEMENTS**

**KWIKOT (PTY) LTD  
INLAND DIVISION**  
PO BOX 1016  
BENONI, 1500.  
TEL: (011) 897 4600  
FAX: (011) 914 4750  
**AFTER SALES SERVICE TEL:  
0861 KWIKOT (594568)**  
DOMESTIC SALES  
e-mail:sales.inland@kwikot.com  
EXPORT SALES  
e-mail:sales.export@kwikot.com  
MARKETING  
e-mail:marketing.info@kwikot.com  
TECHNICAL  
e-mail:technical.info@kwikot.com

**KWIKOT (PTY) LTD  
EASTERN CAPE DIVISION**  
PO BOX 3082, NORTH END  
PORT ELIZABETH, 6056.  
TEL: (041) 373 0575  
FAX: (041) 370 0577

DOMESTIC SALES  
e-mail:  
sales.easterncape@kwikot.com

**KWIKOT (PTY) LTD  
WESTERN CAPE DIVISION**  
PO BOX 443,  
EPPINDUST, 7475.  
TEL: (021) 534 3691  
FAX: (021) 534 1606

DOMESTIC SALES  
e-mail:  
sales.westerncape@kwikot.com

**KWIKOT (PTY) LTD  
KWAZULU-NATAL DIVISION**  
PO BOX 47366  
GREYVILLE, 4023.  
TEL: (031) 547 8700  
FAX: (031) 547 8750

DOMESTIC SALES  
e-mail:  
sales.kwazulunatal@kwikot.com

[www.kwikot.com](http://www.kwikot.com)