



COMMERCIAL

stainless steel



**SANITARY
EQUIPMENT**
curved back urinals
MODELS KCB101 & 102
trough urinals MODEL KTU

SANITARY EQUIPMENT - CURVED BACK URINALS AND TROUGH URINALS



COMMERCIAL

stainless steel

CURVED BACK URINALS KCB 101 & KCB 102



features model KCB 101

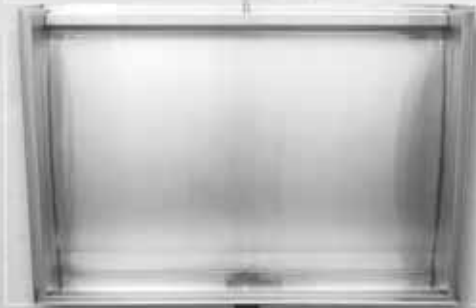
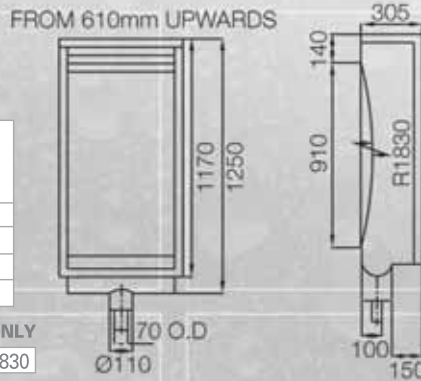
- For use with flush valve or high level cistern
- Concealed sparge pipe
- Grade 304 (18/10) Stainless Steel 1,2mm gauge
- Fully sound deadened

specification for KCB 101 curved back urinals

Kwikot Model KCB101 curved back urinal, length (please specify). Urinal to be fitted with one centre or left hand or right hand outlet (please specify).

RECOMMENDED INLETS

LENGTH (mm)	NO OF INLETS	NO OF FLUSH VALVES OR CISTERNS
600 to 2135	1	1
2285 to 3350	2	2
3365 to 4570	3	3
4875 to 6095	4	4



MODEL KCB101

STANDARD LENGTH SIZES (mm) CENTRE OUTLET ONLY

915 1065 1220 1370 1525 1675 1830

features model KCB 102

- Built in automatic flushing tank
- 12mm adjustable drip cock for water supply
- Grade 304 (18/10) Stainless Steel
- Fully sound deadened

specification for KCB 102 curved back urinals

Kwikot Model KCB102 curved back urinal, length (please specify). Urinal to be fitted with one centre or left hand or right hand outlet (please specify).

STANDARD LENGTH SIZES (mm) CENTRE OUTLET ONLY

915 1065 1220 1370 1525 1675 1830



MODEL KCB102

TROUGH URINALS KTU

features model KTU

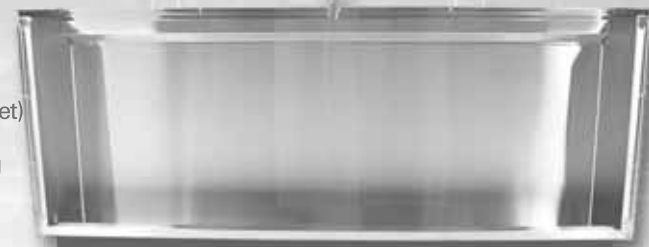
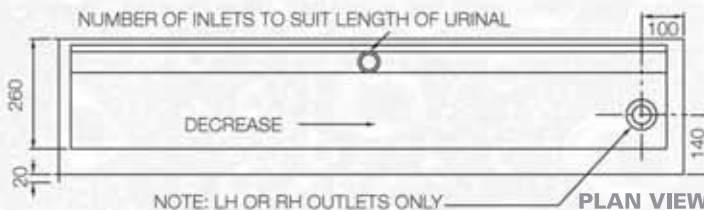
- 0.9mm Grade 304 (18/8) Stainless Steel
- Concealed sparge pipe
- Supplied with 28mm CP Conex coupling for connection to flush pipe or Junior flush valve
- Left or right hand outlets (provision for 40mm waste outlet)
- Sloped drip ledge
- Available with free standing end/s or tiling key/s for applications between walls

specification for KTU trough urinals

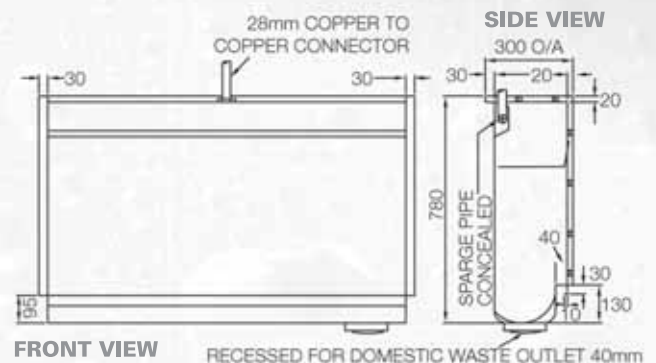
Kwikot Model KTUTrough Urinal, length...mm (please specify). Urinal to be manufactured to fit between two walls/to one free end/against wall with two free standing ends (please specify). Urinal to be fitted with one right hand or left hand outlet (please specify).

STANDARD LENGTH SIZES (mm) CENTRE OUTLET ONLY

915 1065 1220 1370 1525 1675 1830



MODEL KTU



Kwikot (Pty) Ltd
Inland Division
 P.O. Box 1016
 Benoni
 1500
 Tel: 011 897 4600
 Fax: 011 914 4750

Kwikot (Pty) Ltd
Kwazulu-Natal Division
 P.O. Box 47366
 Greyville
 Durban
 4023
 Tel: 031 574 8700
 Fax: 031 574 8750

Kwikot (Pty) Ltd
Eastern Cape Division
 P.O. Box 29142
 Sunridge Park
 Port Elizabeth
 6008
 Tel: 041 399 4000
 Fax: 041 367 1005

Kwikot (Pty) Ltd
Western Cape Division
 P.O. Box 443
 Eppingdust
 Cape Town
 7475
 Tel: 021 690 2700
 Fax: 021 690 2800

After Sales Service :
0861KWIKOT (594568)

www.kwikot.com