



# COMMERCIAL

*stainless steel*



**SANITARY  
EQUIPMENT**  
floor mounted  
**wc pan**  
SWC - PAN - FM

SANITARY EQUIPMENT - FLOOR MOUNTED WATER CLOSET PAN



# COMMERCIAL

## stainless steel

### FLOOR MOUNTED WC PAN MODEL SWC-PAN-FM



MODEL SWC-PAN-FM

#### features

- Grade 304 (18/10) Stainless Steel
- Durable
- Hygienic
- Complies with paper removal test: SABS 497:2006
- Complies with flushing test: SABS 1733:2007
- Inlet to suit standard flush pipe connections
- Outlet to suit standard PVC or cast iron sewerage systems

#### specification for model SWC - PAN - FM

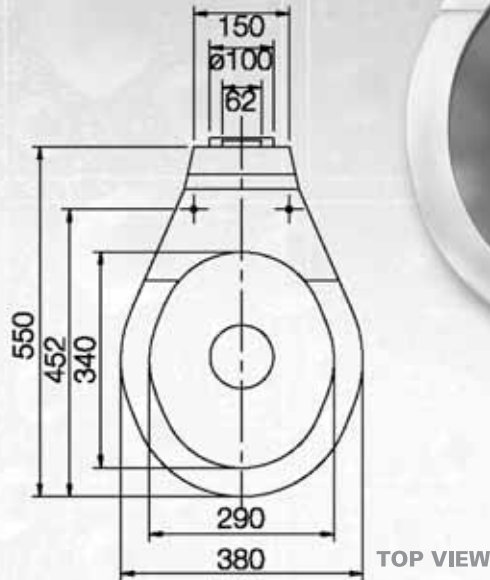
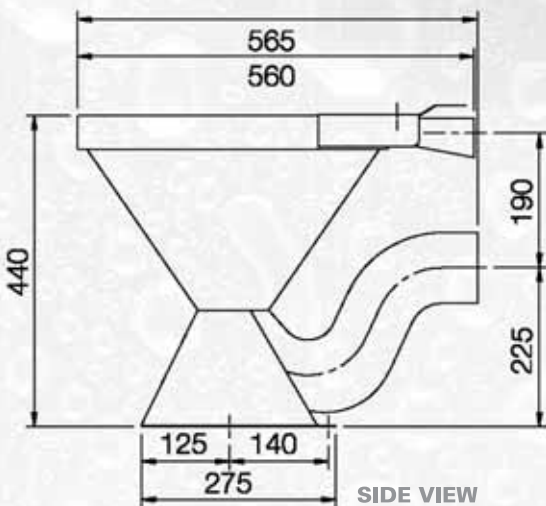
Kwikot floor mounted WC pan Code: SWC-PAN-FM manufactured from 304 (18/10) Stainless Steel with concealed flushing rim and integral Stainless Steel 110mm Ø "P" trap and back entry flush pipe inlet. Provision to be made for standard seat hole. Fixed to floor with anchor bolts. (Supplied by installer).

#### optional flushing systems

- Surface mounted or concealed flush valve
- 11 Litre low-level cistern

#### standard size for model SWC - PAN - FM

MODEL	WIDTH (mm)	DEPTH (mm)
SWC-PAN-FM	550	380



SANITARY EQUIPMENT - FLOOR MOUNTED WATER CLOSET PAN

**Kwikot (Pty) Ltd**  
**Inland Division**  
 P.O. Box 1016  
 Benoni  
 1500  
 Tel: 011 897 4600  
 Fax: 011 914 4750

**After Sales Service :**  
**0861KWIKOT (594568)**

**Kwikot (Pty) Ltd**  
**Kwazulu-Natal Division**  
 P.O. Box 47366  
 Greyville  
 Durban  
 4023  
 Tel: 031 574 8700  
 Fax: 031 574 8750

[www.kwikot.com](http://www.kwikot.com)

**Kwikot (Pty) Ltd**  
**Eastern Cape Division**  
 P.O. Box 29142  
 Sunridge Park  
 Port Elizabeth  
 6008  
 Tel: 041 399 4000  
 Fax: 041 367 1005

**Kwikot (Pty) Ltd**  
**Western Cape Division**  
 P.O. Box 443  
 Eppingdust  
 Cape Town  
 7475  
 Tel: 021 690 2700  
 Fax: 021 690 2800