

ELECTRIC WATER HEATERS

domestic range



SUPPLY OF SUPERIOR

RELIABLE

WATER HEATING SOLUTIONS

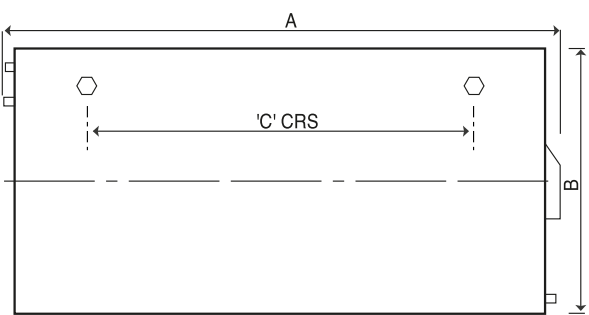
DOMESTIC ELECTRIC WATER HEATERS



product features

- The Kwikot Megaflo-i Dual is a high-pressure electric water heater and is SABS 600kPa approved.
- An Isolator Switch is fitted to the end electrical cover.
- The inner cylinder is manufactured from 2mm steel and thermofused porcelain enamelled for cylinder longevity and hygiene.
- Polyurethane insulation between the inner cylinder and outer casement reduces energy and heat loss.
- Double anodes for additional protection against harsh water conditions.
- The units can be installed horizontally or vertically. Adjustable brackets are available on request for left or right wall mountings.
- Plastic end domes and the metal casement is aesthetically appealing in appliance white.

product specification data

Capacity (Litres)	Element Rating (kW)	Operating Pressure (kPa)	Mass Empty (kg)	Connections (mm, male iron)	Side View 
100 150 200	2 3 4	Up to 600 Up to 600 Up to 600	32 41 52	20 20 20	
Product Code	Capacity (Litres)	Dimension A (mm)	Dimension B (mm)	Dimension C (mm)	
MF-100-D2-2A-I	100	792	533	350	
MF-150-D2-2A-I	150	1087	533	640	
MF-200-D2-2A-I	200	1392	533	930	

Complies to SABS 1151-2013 Specifications

product installation data

The Kwikot Megaflo-i must be installed in compliance with SANS 10254 Electric Hot Water Storage Heaters with a Temperature & Pressure Valve (Safety Valve), Drain Cock (both supplied with the water heater), Kwikot Pressure Control Valve, Kwikot Drip Tray and Kwikot Vacuum Breakers (see back of brochure for a typical installation diagram).

The water heater must be installed under cover (inside or outside) and not exposed directly to climatic weather conditions.

The following minimum installation clearance must be allowed for on each side of the water heater in order to when having to remove the element or thermostat and the anode/s from the opposite end:

100lt/150lt – 450mm

200lt – 920mm

The 200lt capacity unit must not be wall mounted.

The Megaflo-i Dual water heater must be installed under cover and not exposed to climatic weather conditions.

The Megaflo-i Dual is IPX1 rated.

product warranties

The period of guarantee is from the date of installation providing that documentation of proof of installation is furnished, or alternatively from date of manufacture as determined from the serial plate on the end dome.

- **Megaflo-i Dual** : **Six** Years on the inner cylinder.
- **600i Dual** : **Five** Years on the inner cylinder.
- **600 Dual** : **Five** Years on the inner cylinder.

The above guarantees are subject to only genuine Kwikot replacement parts (spiral element and thermostat etc) been used whilst the inner cylinders are still under guarantee and are subject to water conditions equivalent to main Metropolitan supply authorities.

- One year on the spiral element, thermostat, isolator switch, flange assembly plate and gasket.
- Two years on the Safety Valve and Drain Cock.
- The guarantee on the installation is the responsibility of the installer.



Electric Water Heater System



product features

- The Kwikot 600i Dual is a high-pressure electric water heater and is SABS **600kPa** approved and available in Slimline and Standard formats.
- An Isolator Switch is fitted to the electrical cover.
- The inner cylinder is manufactured from 1.6mm steel on all sizes except the 250 litre, which is 2mm steel and thermofused porcelain enamelled for cylinder longevity and hygiene.
- Polyurethane insulation between the inner cylinder and outer galvanised casement reduces energy and heat loss.
- Double anodes for additional protection against harsh water conditions are fitted to the 250lt Standard unit.
- The units can be installed horizontally or vertically.

product specification data

Capacity (Litres)	Element Rating (kW)	Operating Pressure (kPa)	Mass Empty (kg)	Connections (mm) (male iron)	Capacity (Litres)	Element Rating (kW)	Operating Pressure (kPa)	Mass Empty (kg)	Connections (mm) (male iron)
SLIMLINE					STANDARD				
50	2	Up to 600	21	20	150	3	Up to 600	36	20
100	2	Up to 600	30	20	200	4	Up to 600	43	20
150	3	Up to 600	39	20	250	4	Up to 600	65	20

Product Code	Capacity (Litres)	Dimension A (mm)	Dimension B (mm)	Dimension C (mm)	Dimension D (mm)
SLIMLINE					
ESG-050-D2-I	50	610	480	135	355
ESG-100-D2-I	100	990	480	510	355
ESG-150-D2-I	150	1360	480	890	355
STANDARD					
EF150-2D-I	150	1035	538	575	355
EF200-2D-I	200	1325	538	855	355
EF250-RD-I	250	1645	538	1160	355

Complies to SABS 1151-2013 Specifications

product installation data

The Kwikot 600i Dual must be installed in compliance with SANS 10254 Electric Hot Water Storage Heaters with a Temperature & Pressure Valve (Safety Valve), Drain Cock (both supplied with the water heater), Kwikot Pressure Control Valve, Kwikot Drip Tray and Kwikot Vacuum Breakers (see back of brochure for a typical installation diagram).

The 600i Dual water heater must be installed under cover and not exposed directly to climatic weather conditions. The 600i Dual water heater is IPX4 rated.

The following minimum installation clearance must be allowed for on each side in the event of having to remove the element, thermostat or the anode/s:

50lt/100lt/150lt – 450mm ; 200lt/250lt – 920mm

The 200lt and 250lt capacity units must not be wall mounted.

anode servicing

Water specification and Anode servicing/replacement is as follows:

Total Dissolved Solids (Parts per Million)	Recommended Anode Replacement
100-600	3 Years
601-1000	2 Years
Over 1000	1 Year



Electric Water Heater System

product features

- The Kwikot 600 Dual is a high-pressure electric water heater and is SABS 600kPa approved and available in Slimline and Standard formats.
- The inner cylinder is manufactured from 1.6mm steel on all sizes except the 250 litre, which is 2mm steel and thermofused porcelain enamelled for cylinder longevity and hygiene.
- Polyurethane insulation between the inner cylinder and outer galvanised casement reduces energy and heat loss.
- Double anodes for additional protection against harsh water conditions are fitted to the 250lt Standard unit.
- The units can be installed horizontally or vertically.



product specification data

Capacity (Litres)	Element Rating (kW)	Operating Pressure (kPa)	Mass Empty (kg)	Connections (mm) (male iron)	Capacity (Litres)	Element Rating (kW)	Operating Pressure (kPa)	Mass Empty (kg)	Connections (mm) (male iron)
SLIMLINE					STANDARD				
50	2	Up to 600	21	20	150	3	Up to 600	36	20
100	2	Up to 600	30	20	200	4	Up to 600	43	20
150	3	Up to 600	39	20	250	4	Up to 600	65	20

Product Code	Capacity (Litres)	Dimension A (mm)	Dimension B (mm)	Dimension C (mm)	Dimension D (mm)
SLIMLINE					
ESG-050	50	610	480	135	355
ESG-100	100	990	480	510	355
ESG-150	150	1360	480	890	355
STANDARD					
EF150-2D	150	1035	538	575	355
EF200-2D	200	1325	538	855	355
EF250-RD	250	1645	538	1160	355

Complies to SABS 1151-2013 Specifications

product installation data

The Kwikot 600 Dual must be installed in compliance with SANS 10254 Electric Hot Water Storage Heaters with a Temperature & Pressure Valve (Safety Valve), Drain Cock (both supplied with the water heater), Kwikot Pressure Control Valve, Kwikot Drip Tray and Kwikot Vacuum Breakers (see back of brochure for a typical installation diagram).

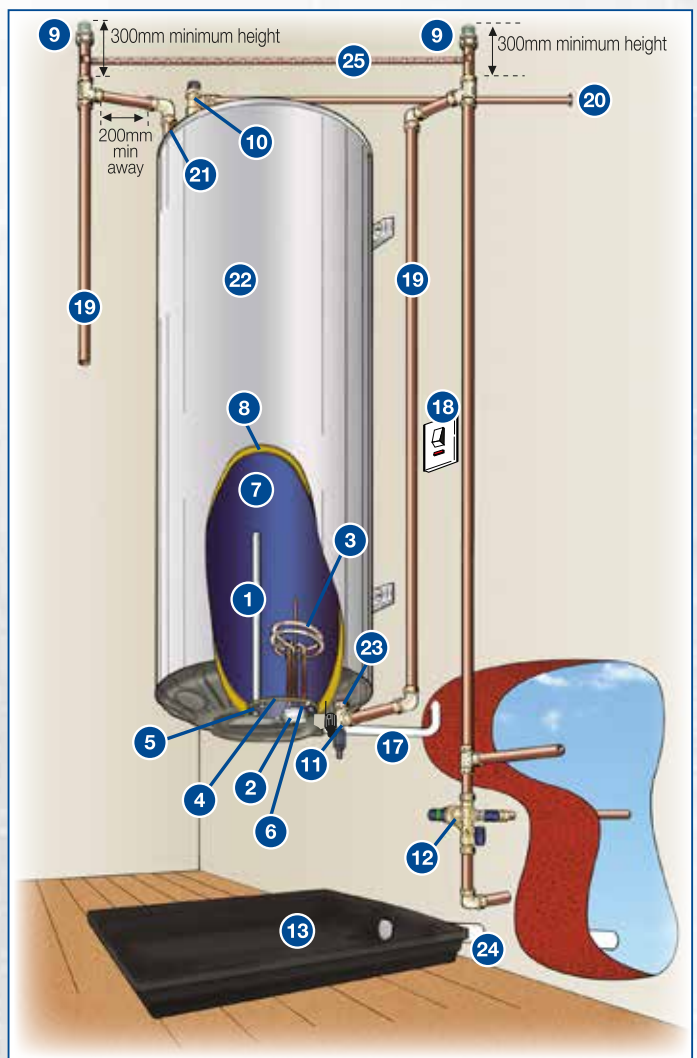
The 600 Dual water heater is IPX4 rated.

The following minimum installation clearance must be allowed for on each side in the event of having to remove the element, thermostat or the anode/s:

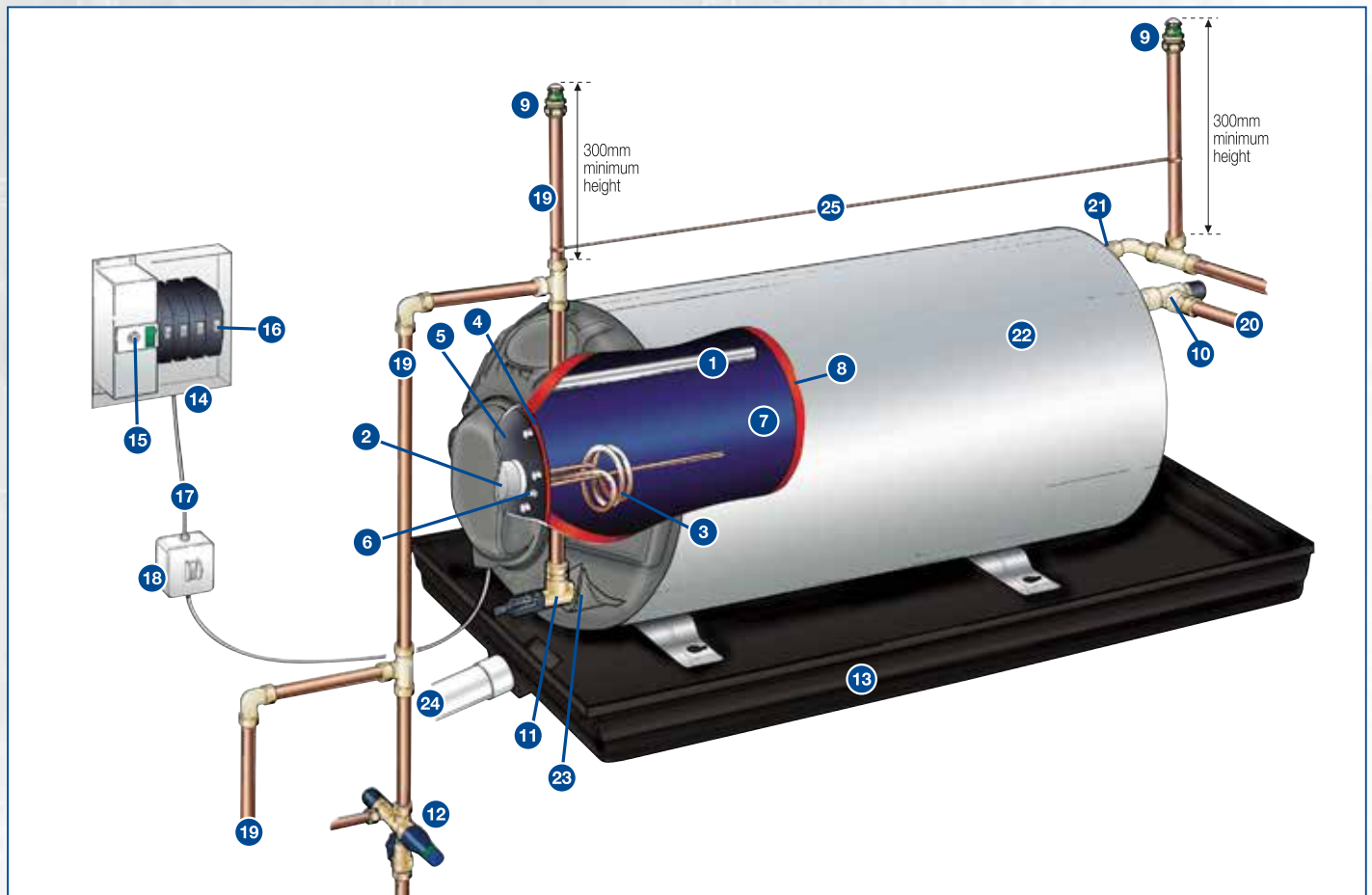
50lt/100lt/150lt – 450mm ; 200lt/250lt – 920mm

The 200lt and 250lt capacity units must not be wall mounted.

Product Description	
1	Anode
2	Kwikot Thermostat TH208, 20Amp
3	Kwikot Spiral Element
4	Flange Gasket
5	Flange
6	Earth Stud
7	Thermofused Porcelain Enamel Lining
8	Urethane Insulation
9	Kwikot Vacuum Breaker
10	Kwikot Safety Valve, 600kPa
11	Kwikot Draincock
12	Kwikot Multi Valve, 600kPa
13	Kwiktray Geyser Tray
14	Distribution Board
15	Earth Leakage - 60 Amp
16	Geyser Circuit Breaker
17	Cable Size, Minimum of 2,5mm ²
18	Isolating Switch 1m away from Electrical Connection on Geyser
19	Copper Pipe
20	Overflow Pipe to Exterior of Building, 20mm Metallic
21	Hot Water Outlet
22	Kwikot 600 Dual Geyser, 600kPa SABS Approved
23	Cold Water Inlet
24	Geyser Tray Overflow Pipe, 50mm
25	Earth Bonding Strap between Hot and Cold Water



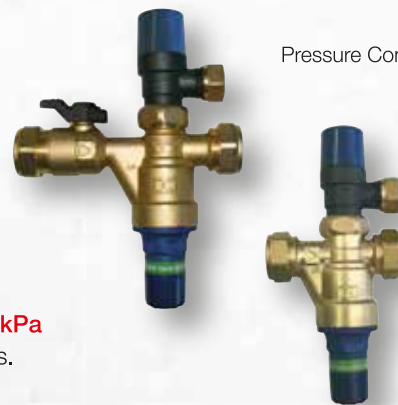
product installation:
vertical standard and horizontal slimline



auxilliary components in compliance to sans 10254

pressure control valves

- Kwikot Multi Valves with integral isolating valve and expansion relief valve are available in **200kPa**, **400kPa** and superior **600kPa** high pressure, with various connection sizes and types.
- Kwikot Mono Valves with expansion relief valve are available in **200kPa**, **400kPa** and superior **600kPa** high pressure, with various connection sizes and types.



Pressure Control Valves

temperature and pressure valve (safety valve)

- Kwikot Safety Valve **600kPa** 20mm Female Iron with compression outlet.



Safety Valve

drain cock and vacuum breakers

- Kwikot Drain Cock 20mm Female with compression outlet.
- Kwikot Vacuum Breakers 22mm CXC



Drain Cock



Vacuum Breakers

drip trays

- Kwikot Drip Tray for vertical geyser installations.
- Kwikot Drip Tray for horizontal geyser installations.



Horizontal



Vertical

electric water heater blanket

- one common blanket size for all geyser capacities up to 200 litres.



Blanket

thermal pipe lagging

- thermal pipe lagging sizes 15mm and 22mm



Thermal Pipe
Lagging

kwikot branch and website addresses:

kwikot (pty) ltd inland division

PO Box 1016 Benoni 1500
Tel: (011) 897 4600
Fax: (011) 914 4750

Domestic Sales
email: sales.inland@kwikot.com
AFTER SALES SERVICE TEL:
0861 KWIKOT (594568)

Export Sales:
email: sales.export@kwikot.com

Marketing:
email: marketing.info@kwikot.com

Technical:
email: technical.info@kwikot.com

kwikot (pty) ltd eastern cape division

PO Box 29142, Sunridge Park, Port Elizabeth, 6008
Tel: (041) 399 4000
Fax: (041) 367 1005

Domestic Sales
Email: sales.easterncape@kwikot.com

kwikot (pty) ltd western cape division

PO Box 443, Eppindust, 7475
Tel: (021) 690 2700
Fax: (021) 690 2800

Domestic Sales
Email: sales.westerncape@kwikot.com

kwikot (pty) ltd kwazulu-natal division

P O Box 47366, Greyville, 4023
Tel: (031) 574 8700
Fax: (031) 574 8750

Domestic Sales
email: sales.kwazulunatal@kwikot.com