



# COMMERCIAL

*stainless steel*



**SANITARY  
EQUIPMENT**  
wall mounted  
**bowl urinal**  
SUR - BOWL - TE

SANITARY EQUIPMENT - WALL MOUNTED BOWL URINAL



# COMMERCIAL

stainless steel



## WALL MOUNTED BOWL URINAL SUR - BOWL - TE

### features

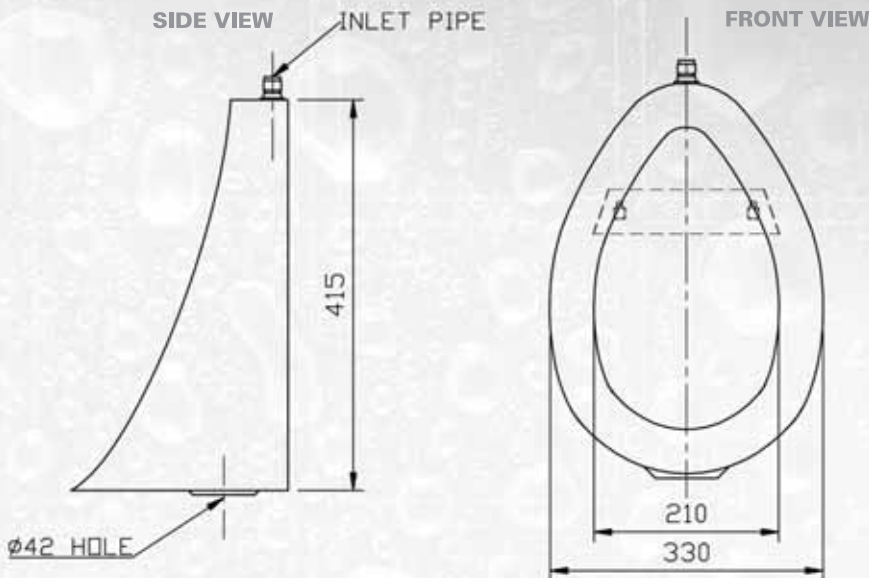
- Grade 304 (18/10) Stainless Steel
- Durable
- Hygienic
- Wall mounted

### specifications for model SUR - BOWL - TE

Kwikot Bowl Urinal Model SUR-80WL-TE manufactured from Grade 18/10 Stainless Steel complete with spreader, 40mm Ø waste outlet and CP on brass waste fitting.

### standard size for model SUR - BOWL - TE

MODEL	HEIGHT (mm)	WIDTH (mm)
SUR-BOWL-TE	415	330



SANITARY EQUIPMENT - WALL MOUNTED BOWL URINAL

**Kwikot (Pty) Ltd**  
**Inland Division**  
 P.O. Box 1016  
 Benoni  
 1500  
 Tel: 011 897 4600  
 Fax: 011 914 4750

**After Sales Service :**  
**0861KWIKOT (594568)**

**Kwikot (Pty) Ltd**  
**Kwazulu-Natal Division**  
 P.O. Box 47366  
 Greyville  
 Durban  
 4023  
 Tel: 031 574 8700  
 Fax: 031 574 8750

[www.kwikot.com](http://www.kwikot.com)

**Kwikot (Pty) Ltd**  
**Eastern Cape Division**  
 P.O. Box 29142  
 Sunridge Park  
 Port Elizabeth  
 6008  
 Tel: 041 399 4000  
 Fax: 041 367 1005

**Kwikot (Pty) Ltd**  
**Western Cape Division**  
 P.O. Box 443  
 Eppingdust  
 Cape Town  
 7475  
 Tel: 021 690 2700  
 Fax: 021 690 2800

06/2014 SS WALL MOUNTED BOWL URINAL