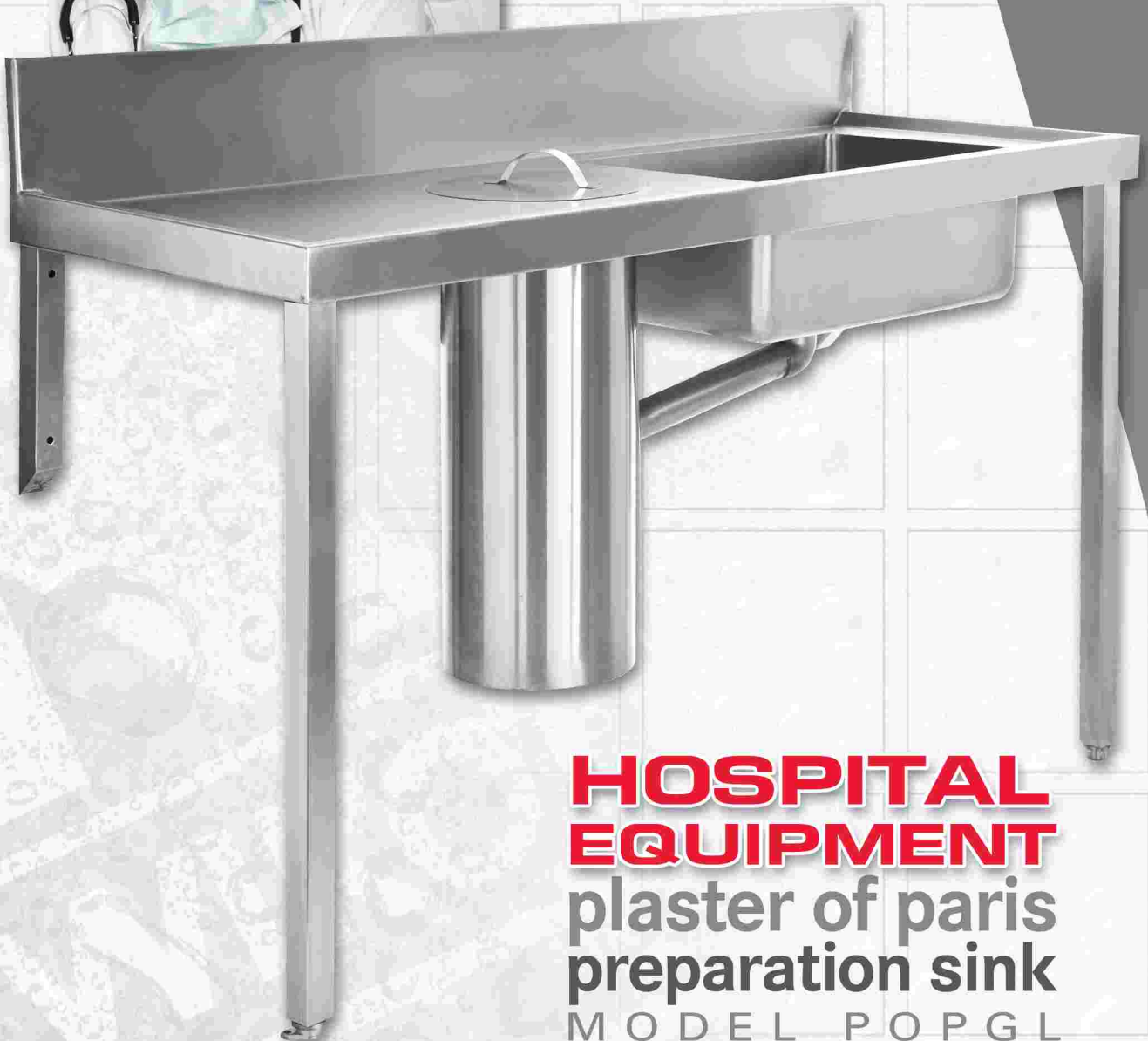




COMMERCIAL

stainless steel



**HOSPITAL
EQUIPMENT**
plaster of paris
preparation sink
MODEL POPGL

HOSPITAL EQUIPMENT - PLASTER OF PARIS PREPARATION SINK



COMMERCIAL

stainless steel

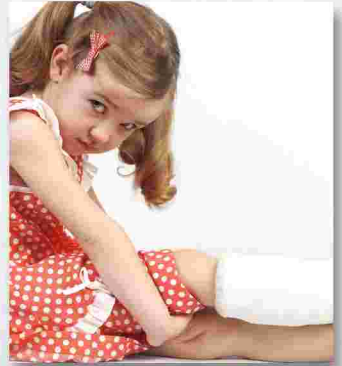
PLASTER OF PARIS PREPARATION SINK MODEL POPGL

features

- Grade 304(18/10) Stainless Steel
- Hygienic and durable
- Plaster bowl with removable strainer and lid
- Hospital bead to prevent spillage
- Rinse bowl discharging into plaster bowl

specifications for model POPGL plaster of paris preparation sink

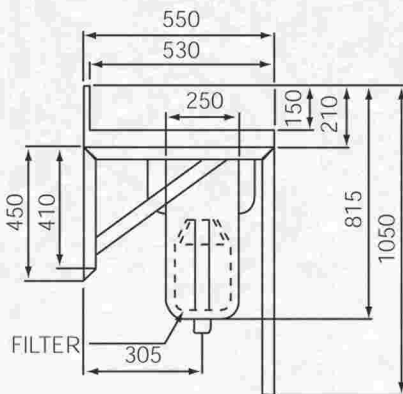
Kwikot Model POPGL size 1500 x 550mm Plaster of Paris preparation sink, with a 150mm high integral splashback to the rear. The unit is fitted with a preparation bowl measuring 550 x 375 x 230mm deep with a waste outlet discharging into a cylinder measuring 250mm round 625mm deep. Waste cylinder fitted with Stainless Steel lid and removeable strainer with provision for 40mm \varnothing round waste outlet. The underside of the draining board fitted with mild steel galvanised backing sheet and supporting frame. Unit to be fitted with 40 x 40mm square Stainless Steel gallows brackets and 40mm square Stainless Steel front legs with adjustable foot pieces OR four 41mm \varnothing round legs with adjustable foot pieces.



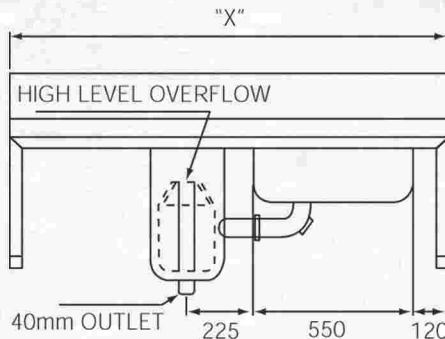
MODEL POPGL



standard sizes for model POPGL plaster of paris preparation sink



PLAN VIEW



END VIEW

LENGTH (mm)	WIDTH (mm)
1320	550
1500	550

**Kwikot (Pty) Ltd
Inland Division**
P.O. Box 1016
Benoni
1500
Tel: 0118974600
Fax: 0119144750

After Sales Service:
0861KWIKOT (594568)

**Kwikot (Pty) Ltd
Kwazulu-Natal Division**
P.O. Box 47366
Greyville
Durban
4023
Tel: 0315748700
Fax: 0315748750

www.kwikot.com

**Kwikot (Pty) Ltd
Eastern Cape Division**
P.O. Box 3082
North End
Port Elizabeth
6056
Tel: 0413730575
Fax: 0413730577

**Kwikot (Pty) Ltd
Western Cape Division**
P.O. Box 443
Eppingdust
Cape Town
7475
Tel: 0215343691
Fax: 0215341606

Kwikot, over a century of reliability