



COMMERCIAL

stainless steel



**SANITARY
EQUIPMENT**
**single wash
hand basin**
MODEL SHB-001

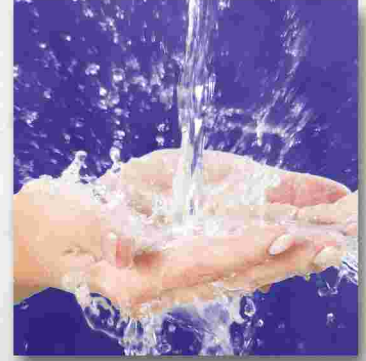
SANITARY EQUIPMENT - SINGLE WASH HAND BASIN



COMMERCIAL

stainless steel

WASH HAND BASIN MODEL SHB - 001



MODEL SHB-001

features

- Grade 304 (18/10) Stainless Steel
- One piece pressed,
- With or without tiling key
- Durable
- Hygienic

specification for model SHB - 001 wash hand basin

Kwikot Model SHB-001 wash hand basin manufactured from Grade 304 (18110) Stainless Steel with/without 25mm splash back and tiling key. (Please Specify).

optional mounting methods

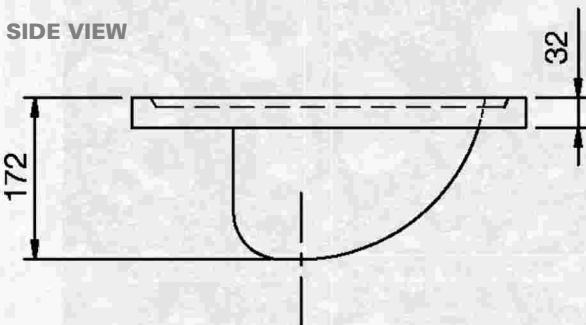
- 25mm square Stainless Steel gallow brackets.
- 25mm square Stainless Steel gallow brackets and front legs.
- Stainless Steel "Dura" brackets.

standard sizes for model SHB - 001

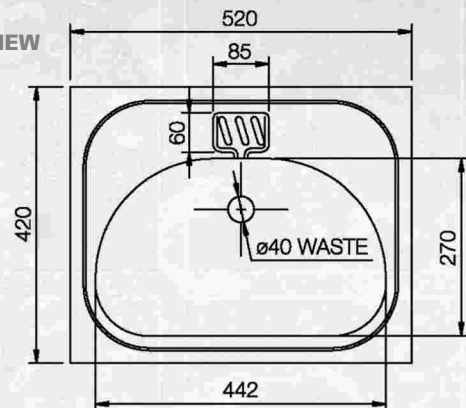
MODEL	WIDTH (mm)	DEPTH (mm)
SHB-001	520	420



SIDE VIEW



TOP VIEW



**Kwikot (Pty) Ltd
Inland Division**
P.O. Box 1016
Benoni
1500
Tel: 0118974600
Fax: 0119144750

**Kwikot (Pty) Ltd
Kwazulu-Natal Division**
P.O. Box 47366
Greyville
Durban
4023
Tel: 0315748700
Fax: 0315748750

**Kwikot (Pty) Ltd
Eastern Cape Division**
P.O. Box 3082
North End
Port Elizabeth
6056
Tel: 0413730575
Fax: 0413730577

**Kwikot (Pty) Ltd
Western Cape Division**
P.O. Box 443
Eppingdust
Cape Town
7475
Tel: 0215343691
Fax: 0215341606

After Sales Service:
0861KWIKOT (594568)

www.kwikot.com

Kwikot, over a century of reliability