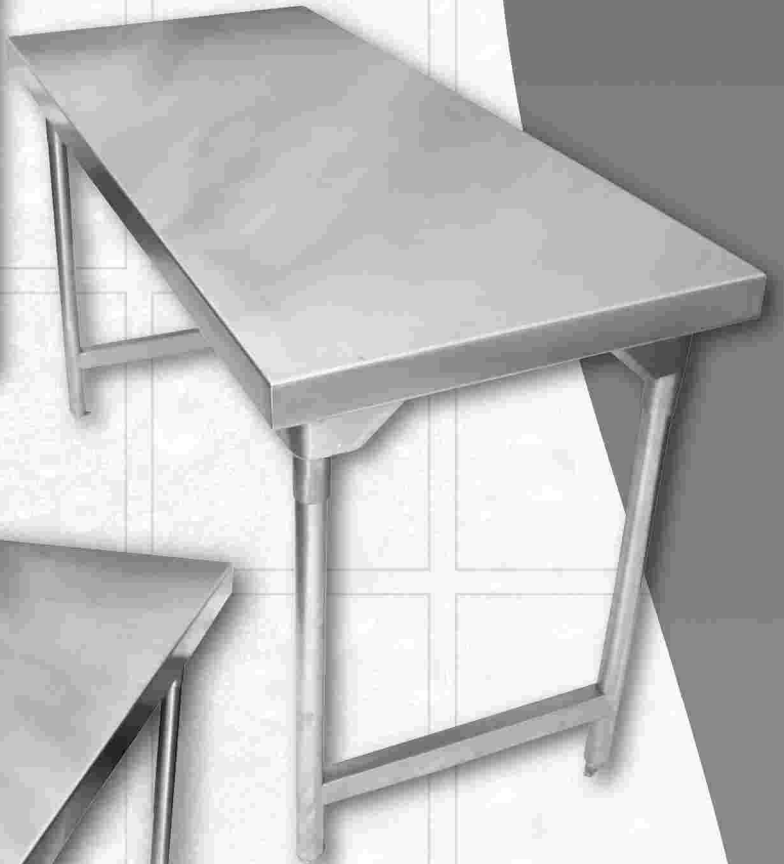




COMMERCIAL

stainless steel



**CATERING
EQUIPMENT**
tables
T SERIES & W SERIES
wall benches

CATERING EQUIPMENT - TABLES AND WALL BENCHES



COMMERCIAL

stainless steel

TABLES T SERIES & WALL BENCHES W SERIES

features

- Grade 304 (18/10) Stainless Steel 1,2mm gauge
- Sound deadened with galvanised backing sheet
- Hygienic and durable

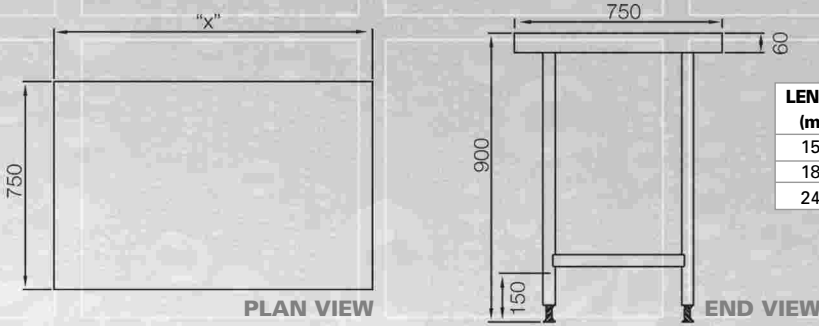
specification for T series table

Kwikot Grade 304 (18/10) T Series Table, size (please specify) with a 60 x 12mm turndown all round. The underside sprayed with vermin proof bitumastic sound deadening and supported with a 30 x 30 x 3mm framework and galvanised backing sheet. Fitted on to 41mm diameter round Stainless Steel detachable legs with adjustable foot pieces.

optional accessories

- Stainless or mild steel galvanised solid under shelf.
- Stainless Steel slatted under shelf.
- Non standard sizes upon request.

standard size for T series table



T SERIES



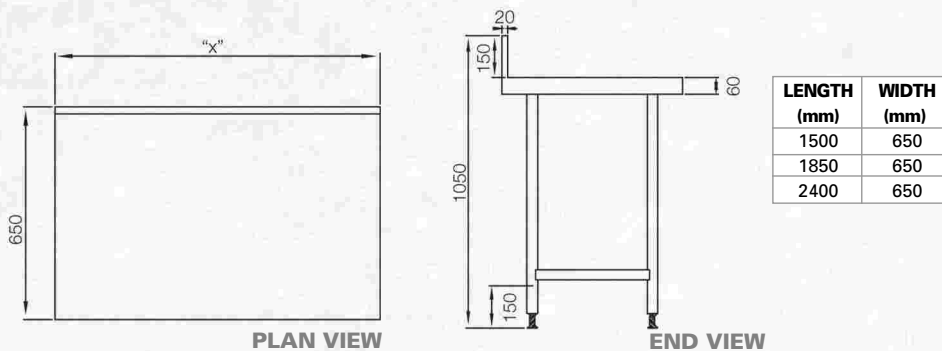
specification for W series wall bench

Kwikot Grade 304 (18/10) W Series Wall Bench, size (please specify) with a 150mm splashback to the back and 60 x 12mm turndown on remaining sides. The underside sprayed with vermin proof bitumastic sound deadening and supported with a 30 x 30 x 3mm framework and galvanised backing sheet. Fitted on to 41mm diameter round Stainless Steel detachable legs with adjustable foot pieces.

optional accessories

- Stainless or mild steel galvanised solid under shelf.
- Stainless Steel slatted under shelf.
- Non standard sizes upon request.
- Splashback to one or both ends.

standard sizes for W series wall benches



W SERIES



CATERING EQUIPMENT - TABLES AND WALL BENCHES

**Kwikot (Pty) Ltd
Inland Division**
P.O. Box 1016
Benoni
1500
Tel: 0118974600
Fax: 0119144750

**Kwikot (Pty) Ltd
Kwazulu-Natal Division**
P.O. Box 47366
Greyville
Durban
4023
Tel: 0315748700
Fax: 0315748750

**Kwikot (Pty) Ltd
Eastern Cape Division**
P.O. Box 3082
North End
Port Elizabeth
6056
Tel: 0413730575
Fax: 0413730577

**Kwikot (Pty) Ltd
Western Cape Division**
P.O. Box 443
Eppingdust
Cape Town
7475
Tel: 0215343691
Fax: 0215341606

After Sales Service:
0861KWIKOT (594568)

www.kwikot.com

Kwikot, over a century of reliability