

VARIFOLD wooden folding doors / concertina doors

aluglass

bautech

functional elegance since 1973

committed to innovation

culture of excellence

going green building



aluglass

bautech

functional elegance since 1973

committed to innovation

culture of excellence

going green building

Index

[Introduction](#)

[Technical information](#)

[Typical configurations](#)

[Size guidelines](#)

[Section details](#)

[Types of Varifold doors](#)

[Applications](#)

[Finishes](#)

[Project pictures](#)



Introduction

aluglass

bautech

functional elegance since 1973

committed to innovation

culture of excellence

going green building

- space saving doors
- *single leaf door* : stacks neatly either on one side
- *double leaf door* : stacks neatly to both sides
- **no floor track** is required for uninterrupted floor finish



Technical Information

- weights approximately *20kg per m²*
- segments are suspended from an anodized *aluminum track* via *ball bearing rollers*
- segments hinged full height by an aluminium extrusion *with or without wooden inserts* to match the wood finish
- optional heavy duty *lock*
- *steel support* can be supplied and installed as an extra if required
- NB! Varifold extrusions cannot be powder coated due to the fact that the rollers will stick.

aluglass

bautech

functional elegance since 1973

committed to innovation

culture of excellence

going green building

Typical configurations



Standard
single door



Large single door
- opening from one side
- stacking to one side



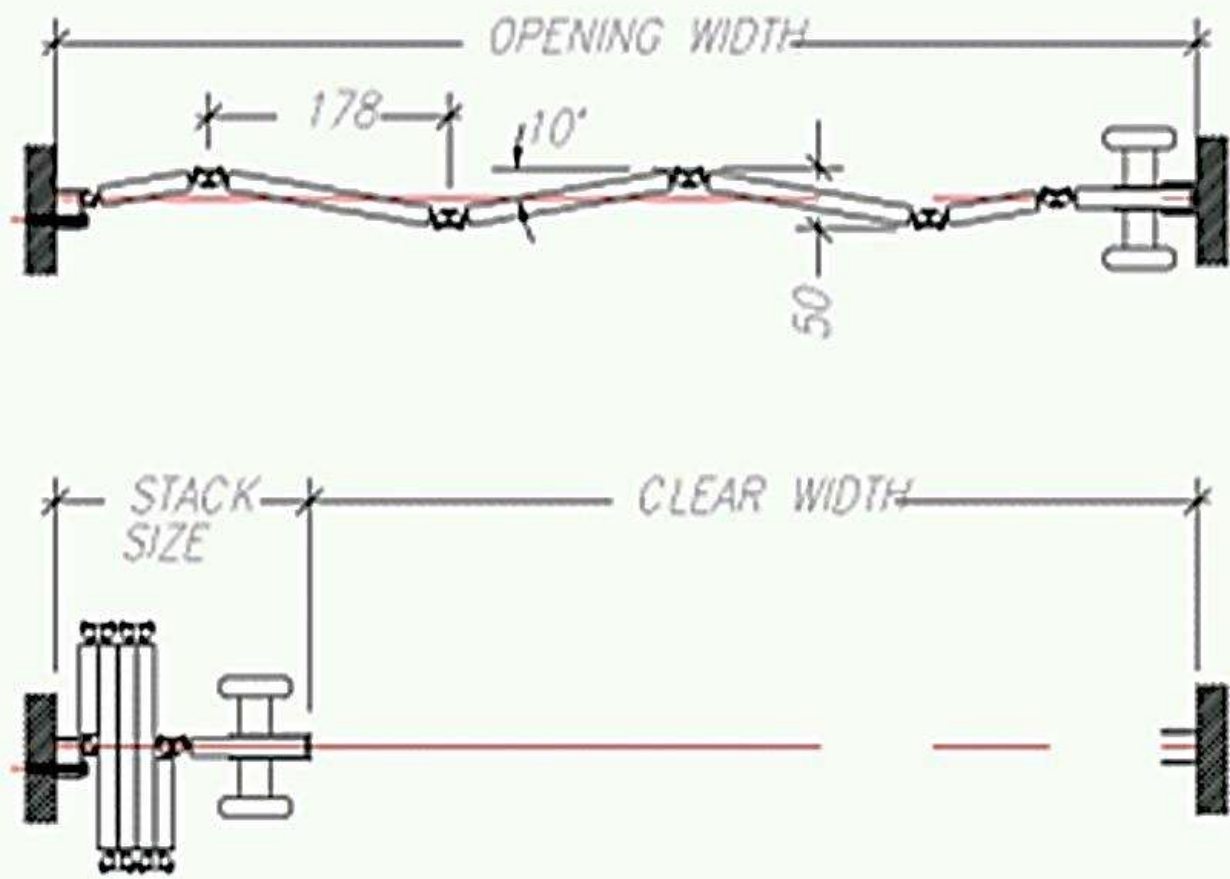
Double door
- opening in the middle
- stacking to both sides

Size guidelines

Single door

Max width: 4400mm

Max height: 2720mm



aluglass

bautech

functional elegance since 1973

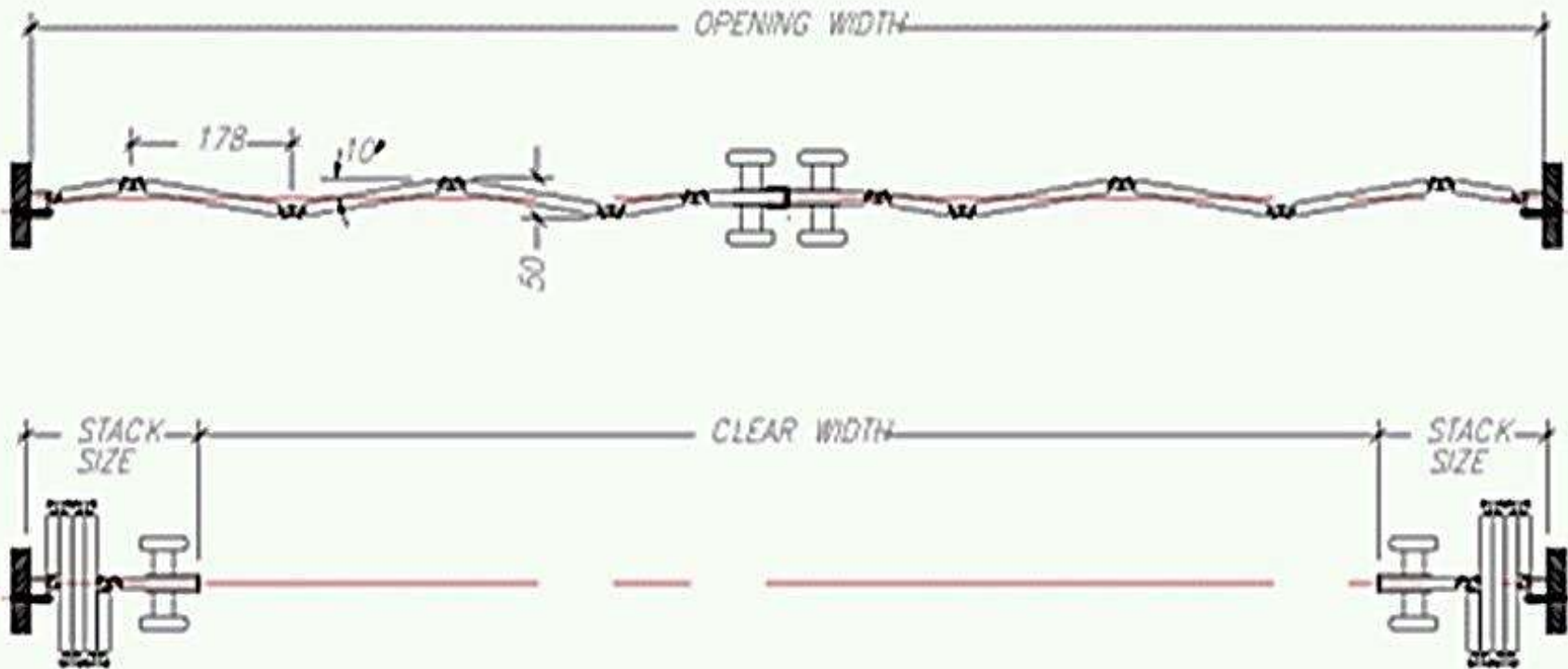
committed to innovation

culture of excellence

going green building

Size guidelines

Double door Max width: 8300mm Max height: 2720mm
(wider doors on request)



TYPICAL DOUBLE DOOR LAYOUT

Double door

aluglass

bautech

functional elegance since 1973

committed to innovation

culture of excellence

going green building



aluglass

bautech

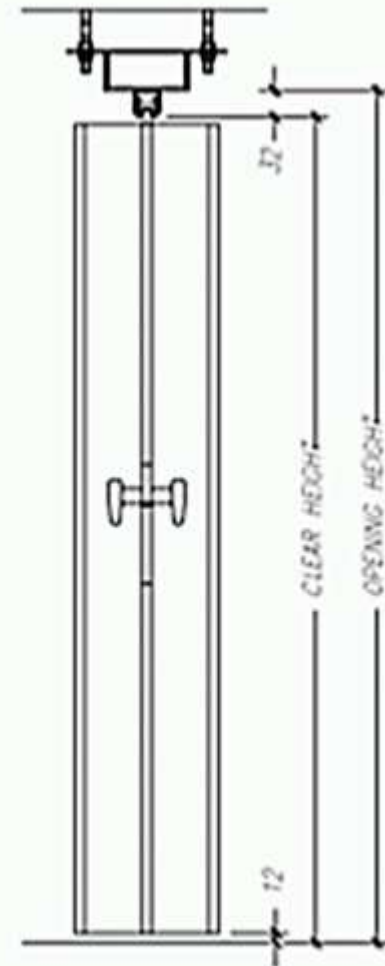
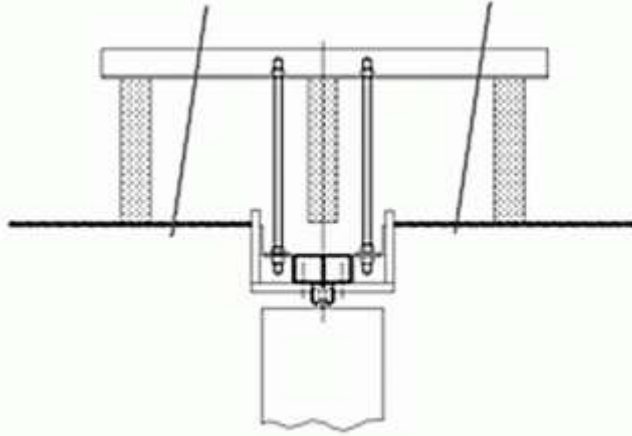
functional elegance since 1973

committed to innovation

culture of excellence

going green building

Section details



TYPICAL VERTICAL SECTION

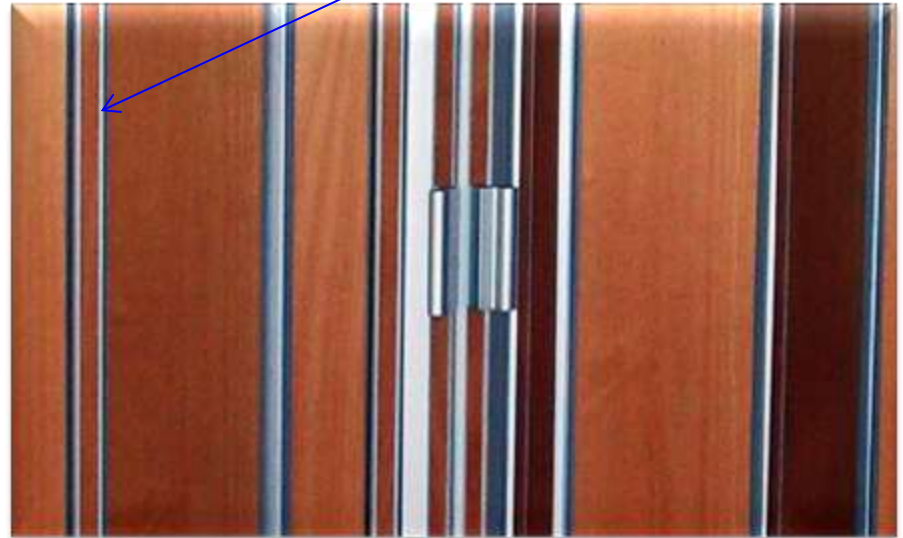


Types of Varifold doors

Classic style: segments hinged full height by an aluminium extrusion without wooden inserts



Elegance style: segments hinged full height by an aluminium extrusion with wooden inserts to match wood finish



aluglass

bautech

functional elegance since 1973

committed to innovation

culture of excellence

going green building

Handle options



Classic style handle with lock



Elegance style handle



'Zig-zag' configuration
when door is closed

aluglass

bautech

functional elegance since 1973

committed to innovation

culture of excellence

going green building

Finishes

- Melawood
 - Grey
 - White
- Natural Wood Veneers
 - Beech
 - Cherry
 - Mahogany
 - Etimoe
 - Imbuia
 - Maple
 - Oak
 - Rosewood
 - Walnut
- Other finishes on request



aluglass

bautech

functional elegance since 1973

committed to innovation

culture of excellence

going green building

Applications

Commercial applications:

- Conference facilities
- Auditoria
- Training rooms
- Education facilities – schools, universities, colleges (room dividers)
- Boardrooms
- Offices
- Hospitals
- Laboratories
- Places of worship

- Pubs
- Executive dining rooms
- Community centers
- Hospitality facilities

Residential applications:

- Lounges and dining rooms
- Kitchens and dining rooms
- Bathroom, bedroom or cupboard doors
- Serving hatches

aluglass

bautech

functional elegance since 1973

committed to innovation

culture of excellence

going green building

Projects pictures (*commercial*)



aluglass

bautech

functional elegance since 1973

committed to innovation

culture of excellence

going green building

Projects pictures (*residential*)

