



# **Section 5**

## **Aluminium Locks**

# MULTITOP

## Now Security is **CERTIFIED**

**New Versions  
Compliant with  
European Norm  
Draft WI 33250:04  
(ref EN 12209:2003)**

### **Security Grade 6:**

**3Point Deadbolt version  
resistant to:**

- Lateral thrust 1000 kg.
- Front load 600 kg

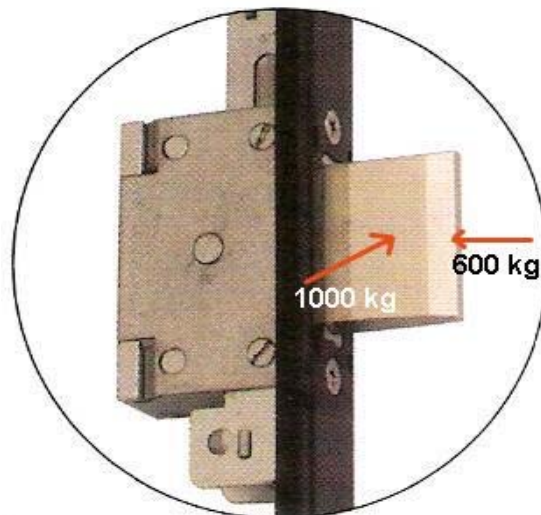
### **Security Grade 7:**

**3Point Deadbolt version  
with anti-drill plates  
resistant to:**

- Lateral thrust 1000 kg.
- Front load 600 kg
- Drill resistant
- Reinforced dead bolt.

#### **EFFORTLESS LOCKING**

"Effort reducer" gear mechanism making it easier to turn the key in the presence of multiple deadbolts. (CISA patent)



#### **SUITABILITY - CATEGORY OF USE**

All **CISA** Aluminium locks unless specified are certified according to EN12209-2003 Grade 3: *For use by the public where there is little incentive to exercise care and where there is a high chance of misuse, e.g. doors in public buildings.* The latches must withstand a side load of **300kg**.

**SEE FOLLOWING PAGE FOR MORE INFORMATION ABOUT EURO NORM SECURITY CERTIFICATION.**

**Euro Norm 12209:2003 for locks and draft WI 33250:04 for 3 point locks gives us *valuable answers to the questions* facing Architects, Installers and Owners.**

**QUESTION: Is the lock suitable for the installation ?:**

The Norm helps us by differentiating between three grades of *suitability*:

**Residential Doors: Suitability Grade 1**

**Suitable for use by people with a high incentive to exercise care and with a small chance of misuse.** (To qualify the latch must resist a side load of 200kg. The latch components and travel limit stop shall resist a torque of 20Nm. The torque on the follower for operating the latch shall not exceed 0.5Nm.)

**Office Doors: Suitability Grade 2**

**Suitable for use by people with some incentive to exercise care but where there is some chance of misuse.** (To qualify the latch must resist a side load of 300kg. The latch components and travel limit stop shall resist a torque of 40Nm. The torque on the follower for operating the latch shall not exceed 3Nm.)

**Public Buildings such as Shopfronts etc: Suitability Grade 3**

**Suitable for use by the public where there is little incentive to exercise care and where there is a high chance of misuse.** (To qualify the latch must resist a side load of 300kg. The latch components and travel limit stop shall resist a torque of 60Nm. The torque on the follower for operating the latch shall not exceed 5Nm.)

**All CISA aluminium locks unless specified are certified Suitability Grade 3, suitable for Public Buildings and Shop fronts etc:**

**QUESTION: How long will the lock last ?, will it last a lifetime ?:**

The Norm tells us **how long the locks will last**, in various grades of *durability* of the latchbolt. Some **Durability grades** are shown below:

**Durability Grade A** 50,000 test cycles; no load on latchbolt during test.

**Durability Grade G** 100,000 test cycles; with 10N load on latchbolt during test.

**Durability Grade L** 100,000 test cycles; with 25N load on latchbolt during test

**Durability Grade S** 200,000 test cycles; with 50N load on latchbolt during test

**Durability Grade X** 200,000 test cycles; with 120N load on latchbolt during test.

**Our Catalogue shows all CISA locks are Durability Grade X or Grade S, because CISA locks are designed to last and last.**

**QUESTION: Will the owner have Peace of Mind ?:**

The Norm tells us the security level of the lock, so that a measured decision can be made for the **security and peace of mind** of the end user. The security grades are listed below:

**Security Grade 1** : Minimum security and no drill resistance

**Security Grade 2** : Low security and no drill resistance

**Security Grade 3** : **Medium security and no drill resistance.** (CISA Ranges 44600, 46000)

**Security Grade 4** : **High security and no drill resistance.** (CISA Swingbolt, 3 point locking)

**Security Grade 5** : High security with drill resistance

**Security Grade 6** : **Very high security and no drill resistance** (CISA Multitop, 3 point locking)

**Security Grade 7** : **Very high security with drill resistance.** (CISA Drill Resistant, 3 point locking).

**Our Catalogue details the security level of all our locks and the side load the deadbolts must withstand: 500kg Security grade 3, 700kg Security grade 4, and 1000kg Security grade 6 & 7.**

**Technical Features**

- ☞ Zinc Plated Steel Case
- ☞ Stainless steel faceplate: 22 x 3mm
- ☞ Nickel plated latch roller and swingbolt.
  - Swing and hook bolt extra passivation.
  - Reversible latch bolts.
  - New 24mm swing bolt to fit all sections.





**Optional**




- ☞ **06460-00 Cylinder protection rose**
- ☞ **06443-00 ADDITIONAL LOCKING POINTS**
  - Set of additional swing bolts operated...by internal rods.
  - 06459-02 Stainless Steel Strike x2

**Certification**


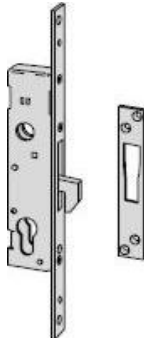
- ☞ This lock is certified according to EN 12209:03 and draft WI 33250:04:
  - **Security grade 4:** Bolt
    - 700 kg side push resistant
    - 500 kg front push resistant version **with** 06443-00
  - **Security grade 3:** Bolt
    - 500 kg side push resistant
    - 400 kg front push resistant version **without** 06443-00
  - **Durability grade X**
    - 200 000 cycles 120N load .. on the latch
  - **Corrosion Resistance: F**
    - High Corrosion Resistant
    - 96 hour salt spray test
  - **Door Mass grade 8**
    - up to 200kg doors, 15N max ...closing force.

Item	Description	Faceplate	Locking points	Throws	Type	Backset	Price
	<ul style="list-style-type: none"> <li>☞ <b>Electric lock – Latch only</b> <ul style="list-style-type: none"> <li>- 10.5 to 16.5 mm adjustable latch and piston</li> <li>- 12V ac CE (optional 24V coil 07086-01)</li> <li>- <b>Cylinder 0G300-07-12</b></li> <li>- Stainless steel strike 06461-06E 1.5 x 25mm</li> <li>- Nylon slide 06224-50</li> </ul> </li> <li>• Standard Version – Security Grade 3</li> <li>• For Wispeco series 4000, strike 06465-02-23</li> </ul>	22	1	1	<b>16205</b>	<b>25</b>	
		22	1	1	<b>16205</b>	<b>30</b>	
		22	1	1	<b>16205</b>	<b>35</b>	
		22	1	1	<b>16205</b>	<b>30W</b>	
		22	1	1	<b>16205</b>	<b>30W</b>	
<div style="border: 1px solid black; padding: 5px; margin-top: 10px; width: fit-content;"> <p><b>For handles to match see page Sec 5.14</b></p> </div>	<ul style="list-style-type: none"> <li>☞ <b>Electric lock – Latch and Swing bolt</b> <ul style="list-style-type: none"> <li>- 10.5 to 16.5 mm adjustable latch and piston</li> <li>- 12V ac CE (optional 24V coil 07086-01)</li> <li>- <b>Cylinder 0G300-07-12</b></li> <li>- Stainless steel strike 06461-06E 1.5 x 25mm</li> <li>- Nylon slide 06224-50</li> </ul> </li> <li>• Standard Version – Security Grade 3</li> <li>• For Wispeco series 4000, strike 06463-08-23</li> <li>• Supplied with 06441-10 internal top &amp; bottom locking bolts</li> <li>• Supplied with 06443-00 additional swing bolts &amp; internal rods – <b>Security Grade 4</b></li> </ul>	22	1	1	<b>16215</b>	<b>25</b>	
		22	1	1	<b>16215</b>	<b>30</b>	
		22	1	1	<b>16215</b>	<b>35</b>	
		22	1	1	<b>16215</b>	<b>30W</b>	
		22	3	1	<b>16225</b>	<b>25</b>	
		22	3	1	<b>16225</b>	<b>30</b>	
		22	3	1	<b>16225</b>	<b>35</b>	
		22	3	1	<b>16215-4</b>	<b>25</b>	
		22	3	1	<b>16215-4</b>	<b>30</b>	
		22	3	1	<b>16215-4</b>	<b>35</b>	
	<ul style="list-style-type: none"> <li>• Set of Internal top and bottom locking bars</li> </ul>				<b>06441</b>	<b>10</b>	


Item	Description	Faceplate	Locking points	Throws	Type	Backset	Price
	<p><b>Electric lock – Latch and 29mm Swingbolt with Hardened Steel Saw Resistant Plates (for doors with gap between lockface and strike of min. 4mm)</b></p> <ul style="list-style-type: none"> <li>- 10.5 to 16.5 mm adjustable latch and piston</li> <li>- 12V ac CE (optional 24V coil 07086-01)</li> <li>- <b>Cylinder OG300-07-12</b></li> <li>- Stainless steel strike 06461-06E 1.5 x 25mm</li> <li>- Nylon slide 06224-50</li> <li>- Swing Bolt 29mm long</li> </ul> <ul style="list-style-type: none"> <li>• Standard Version -Security Grade 3</li> </ul>	<p>22 22</p>	<p>1 1</p>	<p>1 1</p>	<p><b>16216</b> <b>16216</b></p>	<p><b>25</b> <b>35</b></p>	
	<p><b>Swing bolt only</b></p> <ul style="list-style-type: none"> <li>- New internal mechanism increases...the dead-lock anti-pick capability.</li> <li>- Stainless steel strike 06459-02. 1.5 x 22mm</li> <li>- Black nylon rose 06012-01</li> <li>- <b>Cylinder OG345-05-12</b></li> </ul> <ul style="list-style-type: none"> <li>• Standard Version -Security Grade 3</li> <li>• Supplied with 06441-10 internal top &amp; bottom locking bolts</li> <li>• Supplied with 06443-00 additional swing bolts &amp; internal rods – <b>Security Grade 4</b></li> </ul>	<p>22 22</p>	<p>1 1</p>	<p>1 1</p>	<p><b>46210</b> <b>46210</b></p>	<p><b>25</b> <b>35</b></p>	
	<p><b>29mm Swingbolt with Hardened Steel Saw Resistant Plates. (for doors with gap between lockface and strike of min. 4mm)</b></p> <ul style="list-style-type: none"> <li>- New internal mechanism increases...the dead-lock anti-pick capability.</li> <li>- Stainless steel strike 06459-02. 1.5 x 22mm</li> <li>- Black nylon rose 06012-01</li> <li>- <b>Cylinder OG345-05-12</b></li> <li>- Swing Bolt 29mm long</li> </ul> <ul style="list-style-type: none"> <li>• Standard Version -Security Grade 3</li> <li>• Supplied with 06441-10 internal top &amp; bottom locking bolts</li> <li>• Supplied with 06443-00 additional swing bolts &amp; internal rods – <b>Security Grade 4</b></li> </ul>	<p>22 22</p>	<p>3 3</p>	<p>1 1</p>	<p><b>46211</b> <b>46211</b></p>	<p><b>25</b> <b>35</b></p>	
	<p><b>Latch and Swing bolt</b></p> <ul style="list-style-type: none"> <li>- <b>New 10.5mm to 16.5mm Adjustable and non-handed latch ensures perfect fit.</b></li> <li>- New internal mechanism increases...the dead-lock anti-pick capability.</li> <li>- Stainless Steel Strike 06461-06. 1.5 X 22MM</li> <li>- <b>Cylinder OG300-07-12</b></li> </ul> <ul style="list-style-type: none"> <li>• Standard Version -Security Grade 3</li> <li>• For Wispeco series 4000, Black adjustable steel strike 06232-05-44</li> </ul>	<p>22 22 22</p>	<p>1 1 1</p>	<p>1 1 1</p>	<p><b>46215</b> <b>46215</b> <b>46215</b></p>	<p><b>25</b> <b>30</b> <b>35</b></p>	<p><b>30W</b></p>


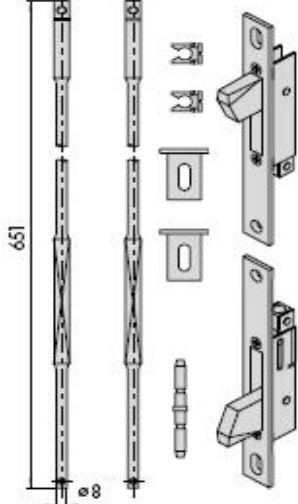
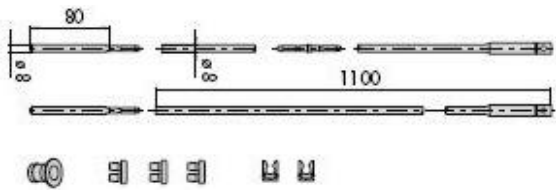
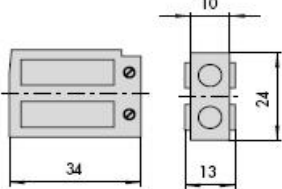
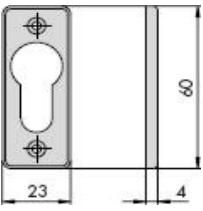
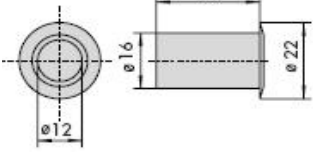
Item	Description	Faceplate	Locking points	Throws	Type	Backset	Price	
	<p><b>Latch and Swing bolt – continued</b></p> <p>New 10.5mm to 16.5mm Adjustable and non-handed latch ensures perfect fit.</p> <p>New internal mechanism increases ...the dead-lock anti-pick capability.</p> <p>Stainless Steel Strike 06461-06. 1.5 X 22MM</p> <p>Black Nylon Rose 06012-01</p> <p>- Cylinder 0G300-07-12</p>							
	<ul style="list-style-type: none"> <li>Supplied with 06441-10 internal top &amp; bottom locking bolts</li> </ul>	22	3	1	46225	25		
		22	3	1	46225	30		
		22	3	1	46225	35		
	<ul style="list-style-type: none"> <li>Supplied with 06443-00 additional swing bolts &amp; internal rods – <b>Security Grade 4</b></li> </ul>	22	3	1	46215-4	25		
		22	3	1	46215-4	30		
		22	3	1	46215-4	35		
		<p><b>Latch and 29mm Swingbolt with Hardened Steel Saw Resistant Plates. (for doors with gap between lockface and strike min. 4mm.)</b></p> <p>- New 10.5mm to 16.5mm Adjustable and non-handed latch ensures perfect fit.</p> <p>- New internal mechanism increases ...the dead-lock anti-pick capability.</p> <p>Stainless Steel Strike 06461-06. 1.5 X 22MM</p> <p>- Cylinder 0G300-07-12</p> <p>- Swing Bolt 29mm long</p>						
		<ul style="list-style-type: none"> <li>Standard Version -Security Grade 3</li> </ul>	22	1	1	46216	25	
			22	1	1	46216	30	
			22	1	1	46216	35	
		<ul style="list-style-type: none"> <li>Supplied with 06441-10 internal top &amp; bottom locking bolts</li> </ul>	22	3	1	46226	25	
22			3	1	46226	30		
22			3	1	46226	35		
<ul style="list-style-type: none"> <li>Supplied with 06443-00 additional swing bolts &amp; internal rods – <b>Security Grade 4</b></li> </ul>		22	3	1	46216-4	25		
		22	3	1	46216-4	30		
		22	3	1	46216-4	35		
		<p><b>Roller and Swing bolt</b></p> <p>- New 14 to 17mm Adjustable roller.</p> <p>New internal mechanism increases ...the dead-lock anti-pick capability.</p> <p>Stainless Steel Strike 06461-06R. 1.5 X 22MM</p> <p>Black Nylon Rose 06012-01</p> <p>- Cylinder 0G345-05-12</p>						
		<ul style="list-style-type: none"> <li>Standard Version -Security Grade 3</li> </ul>	22	1	1	46230	25	
	22		1	1	46230	30		
	22		1	1	46230	35		
	<ul style="list-style-type: none"> <li>For Wispeco series 4000, Black adjustable steel strike 06232-05-44</li> </ul>	22	1	1	46230	30W		
		22	3	1	46250	25		
		22	3	1	46250	30		
	<ul style="list-style-type: none"> <li>Supplied with 06441-10 internal top &amp; bottom locking bolts</li> </ul>	22	3	1	46250	35		
		22	3	1	46250	30		
		22	3	1	46250	35		
	<ul style="list-style-type: none"> <li>Supplied with 06443-00 additional swing bolts &amp; internal rods – <b>Security Grade 4</b></li> </ul>	22	3	1	46230-4	25		
		22	3	1	46230-4	30		
22		3	1	46230-4	35			

HOOK BOLT VERSIONS ALSO WITH TOP AND BOTTOM LOCKING

Item	Description	Faceplate	Locking points	Throws	Type	Backset	Price	
 <div style="border: 1px solid blue; padding: 5px; width: fit-content; margin-top: 10px;"> <p>Now available in Roller Bolt with Hook, Also available with top &amp; bottom locking bolts</p> </div> <div style="display: flex; flex-direction: column; gap: 10px; margin-top: 10px;"> <div style="background-color: yellow; padding: 2px 5px; transform: rotate(-15deg); font-weight: bold;">NEW</div> <div style="background-color: yellow; padding: 2px 5px; transform: rotate(-15deg); font-weight: bold;">NEW</div> <div style="background-color: yellow; padding: 2px 5px; transform: rotate(-15deg); font-weight: bold;">NEW</div> </div>	<div style="border: 1px solid blue; padding: 5px; text-align: center; margin-bottom: 10px;"> <p><b>New – for STACKING DOORS</b></p> </div> <p><b>New Hook lock with Latch for Stacking Doors with 8.5mm hook gap for ease of installation.</b></p> <ul style="list-style-type: none"> <li>- New 10.5mm to 16.5mm Adjustable and non-handed latch ensures perfect fit.</li> <li>- Stainless Steel Strike 06461-06H. 2 x 22mm</li> <li>- Cylinder 0G300-07-12</li> </ul> <p><b>Latch with Hook Bolt</b></p> <ul style="list-style-type: none"> <li>Standard Version -Security Grade 3</li> </ul> <p><b>Roller with Hook Bolt</b></p> <ul style="list-style-type: none"> <li>Standard Version -Security Grade 3</li> </ul>	22	1	1	46215	25H		
	Standard Version -Security Grade 3	22	1	1	46215	35H		
	Supplied <b>with</b> 06441-10 internal top & bottom locking bolts	22	1	1	46225-4	35H		
	Standard Version -Security Grade 3	22	1	1	46230	35H		
	Supplied <b>with</b> 06441-10 internal top & bottom locking bolts	22	1	1	46230-4	35H		
	 <div style="border: 1px solid blue; padding: 5px; width: fit-content; margin-top: 10px;"> <p>New Version with Anti-lift PIN</p> </div> <div style="background-color: yellow; padding: 2px 5px; transform: rotate(-15deg); font-weight: bold; margin-top: 10px;">NEW</div>	<p><b>Hook-bolt with 8.5mm Gap between face and hook.</b></p> <ul style="list-style-type: none"> <li>- Stainless steel strike 06459H. 3 x 22mm</li> <li>- Black nylon rose 06012-01</li> <li>- Cylinder 0G345-05-12</li> </ul>	22	1	1	46240	25	
		Standard Version -Security Grade 3	22	1	1	46240	35	
		Supplied <b>with</b> 06441-10 internal top & bottom locking bolts	22	3	1	46260	25	
		Supplied <b>without</b> 06441-10 internal top & bottom locking bolts	22	3	1	46260	35	
		Supplied <b>without</b> 06441-10 internal top & bottom locking bolts	22	3	1	46260S	25	
Supplied <b>without</b> 06441-10 internal top & bottom locking bolts		22	3	1	46260S	35		
<b>Version with Anti-lift PIN</b>		22	1	1	46240P	25		
<b>Version with Anti-lift PIN</b>		22	1	1	46240P	35		

VERSION WITH 2 LOCKING POINTS

Item	Description	Faceplate	Locking points	Throws	Type	Backset	Price
	<p><b>Two point locking versions – without Swingbolt</b></p> <ul style="list-style-type: none"> <li>- Cylinder 0G345-05-12</li> </ul>						
	Supplied <b>with</b> 06441-10 internal top & bottom locking bolts	22	2	1	46270	25	
	Supplied <b>with</b> 06441-10 internal top & bottom locking bolts	22	2	1	46270	35	
	Supplied <b>without</b> 06441-10 internal top & bottom locking bolts	22	2	1	46270S	25	
		22	2	1	46270S	35	

Item	Description	Faceplate Locking points Throws	Type	Backset	Price
	<p><b>Stainless steel cylinder protection rose</b></p> <ul style="list-style-type: none"> <li>- Renders cylinder resistant to snapping</li> <li>- suitable for all Swing Locks</li> </ul>		06460	00	
	<p><b>Set of Swing bolts operated by internal rods</b></p> <ul style="list-style-type: none"> <li>- Swing bolts</li> <li>- Stainless steel faceplate 3 x 22mm</li> <li>- Set of 8mm diameter rods</li> <li>- Joining pin item 06291-02</li> <li>- Set of rod guides 06224</li> <li>- Set of faceplate spacers 06141-65</li> </ul>		06443	00	
	<p><b>Top and Bottom locking straight bars</b></p> <ul style="list-style-type: none"> <li>- Zinc plated</li> <li>- Set of 8mm diameter rods</li> <li>- Floor striker 06086-01</li> <li>- Joining pin item 06291-02</li> <li>- Set of rod guides 06224</li> <li>- Noise proof bushes 07147</li> </ul>		06441	10	
	<p><b>Spare Coil for 16000 Series</b></p> <ul style="list-style-type: none"> <li>• 12V ac</li> <li>• 24V ac</li> </ul>		07086 07086	00 01	
	<p><b>Nylon Rose</b></p> <ul style="list-style-type: none"> <li>- Stainless steel screws black oxidised</li> </ul>		06012	01	
	<p><b>Brass floor striker 12mm diameter- spring cover</b></p> <p>Nickel plated</p>	Fin 12	06086	02	



Suitable for use in Shop Fronts and Public Buildings



**Technical Features**

- ☞ Zinc Plated Steel Case
- ☞ Stainless steel faceplate:24 x 3mm
- ☞ Nickel plated latch roller and swingbolt.
  - Swing and hook bolt extra passivation.
  - Reversible latch bolts.

**Optional**

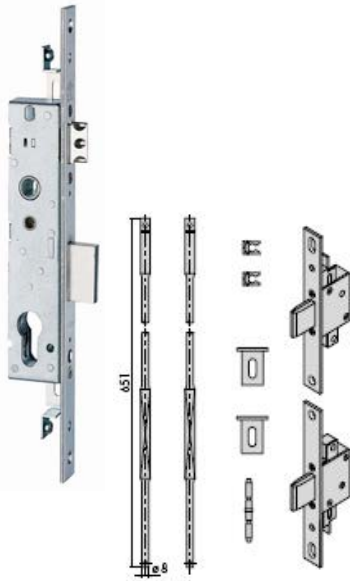
- ☞ **06460-00** Cylinder protection rose

**Certification**

- ☞ This lock is certified according to EN 12209:03 and draft WI 33250:04:
  - **Security grade 4:** Bolt
    - 700 kg side push resistant
    - 500 kg front push resistant version **with** 06443-00
  - **Durability grade X**
    - 200 000 cycles 120N load ..
    - .. on the latch
  - **Corrosion Resistance: F(16700)**
    - High Corrosion Resistant
    - ..-20°C to +80°C.
  - **Door Mass grade 8**
    - up to 200kg doors,15N max force

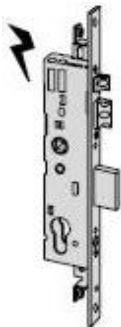


Item	Description	Faceplate	Locking points	Throws	Type	Backset	Price
	<ul style="list-style-type: none"> <li>☞ <b>Electric Lock - Stainless Steel 1.92m adjustable flat face plate, 24 x 3mm</b> <ul style="list-style-type: none"> <li>- lower adjustment 150mm</li> </ul> </li> <li>• 10.5 to 16.5 mm adjustable latch and piston</li> <li>• 12V ac CE (optional 24V coil 07086-01)</li> <li>• S/Steel Strike Plate 06463-23</li> <li>• 2 S/Steel Strike Plate 06465-23</li> <li>• Includes Nylon Strike Spacer 06141-35</li> <li>- Cylinder 0G300-07-12</li> </ul>	24	3	1	16700	30	
	<ul style="list-style-type: none"> <li>☞ <b>Latch and Swingbolt – Stainless Steel 2,3m adjustable flat faceplate 24 x 3mm</b> <ul style="list-style-type: none"> <li>- upper adjustment 350mm</li> <li>- lower adjustment 150mm</li> </ul> </li> <li>• 10.5 to 16.5 mm adjustable latch and piston</li> <li>• S/Steel Strike Plate 06463-33</li> <li>• 2 S/Steel Strike Plate 06465-23</li> <li>• Includes Nylon Strike Spacer 06141-35</li> <li>- Cylinder 0G300-07-12</li> </ul>	24	3	1	46725	30	


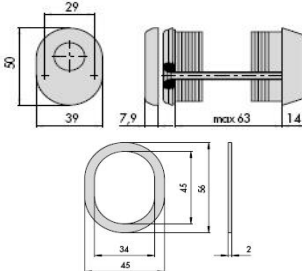
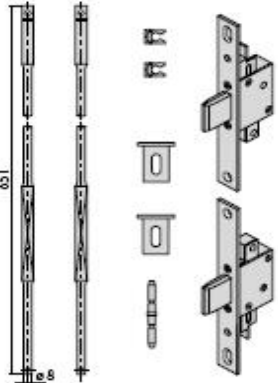
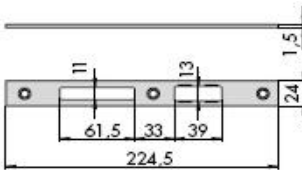
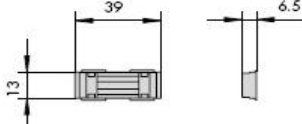
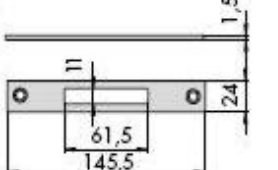
# MULTITOP



- Technical Features**
- ☞ Geared operating device for reducing...  
...key effort.
  - ☞ Stainless steel faceplate: 22 x 3mm
  - ☞ Zinc Plated Steel Case
  - ☞ Nickel plated latch, roller and horizontal..  
...slide dead bolt.
  - ☞ Independent locking points: if one of the dead-  
-bolts is forced open, the others will stay  
locked
- Included**
- ☞ 06443-21 ADDITIONAL LOCKING POINTS
    - Set of lateral extended bolts operated...  
...by internal rods.
    - Horizontal Slide bolts with **Hardened Steel**..
  - ...Inserts**
  - 06461-08 Stainless Steel Strike x2
- Optional**
- ☞ 06460-05 Cylinder protection rose for Asix

- Certification**
- ☞ This lock is certified according to EN 12209:03 and draft WI 33250:04:
  - **Security grade 6: Bolt**
    - 1000 kg side push resistant
    - 600 kg front push resistant
    - version **with** 06443-21
  - **Security grade 3: Bolt**
    - 500 kg side push resistant
    - 400 kg front push resistant
    - version **without** 06443-21
  - **Durability grade X**
    - 200 000 cycles 120N load ..  
.. on the latch
  - **Corrosion Resistance: F**
    - High Corrosion Resistant
    - 96 hour salt spray test
  - **Door Mass grade 8**
    - up to 200kg doors, 15N max  
..closing force.

Item	Description	Faceplate	Locking points	Throws	Type	Backset	Price
	<ul style="list-style-type: none"> <li>☞ <b>Electric lock – Dead-bolt and latch</b></li> <li>- 10.5 to 16.5 mm adjustable latch and piston</li> <li>- 12V ac CE</li> <li>- <b>A6 Cylinder 0E300-07-12</b></li> <li>- Stainless steel strike 06461-07 1.5mm x 25mm</li> </ul> <ul style="list-style-type: none"> <li>• Supplied <b>with</b> 06443-21- <b>Security grade 6</b></li> <li>• Supplied <b>without</b> 06443-21-Security grade 3</li> </ul>	22	3	2	<b>18225-6</b>	<b>35</b>	
	<ul style="list-style-type: none"> <li>☞ <b>Dead-bolt</b></li> <li>- <b>A6 Cylinder 0E300-07-12</b></li> <li>- Stainless steel strike 06461-08 1.5mm x 25mm</li> </ul> <ul style="list-style-type: none"> <li>• Supplied <b>with</b> 06443-21- <b>Security grade 6</b></li> <li>• Supplied <b>without</b> 06443-21-Security grade 3</li> </ul>	22	3	2	<b>48220-6</b>	<b>35</b>	
	<ul style="list-style-type: none"> <li>☞ <b>Deadbolt and latch</b></li> <li>- <b>A6 Cylinder 0E300-07-12</b></li> <li>- 11 to 17mm adjustable latch</li> <li>- Stainless steel strike 06461-07 1.5mm x 25mm</li> </ul> <ul style="list-style-type: none"> <li>• Supplied <b>with</b> 06443-21- <b>Security grade 6</b></li> <li>• Supplied <b>without</b> 06443-21-Security grade 3</li> </ul>	22	3	2	<b>48225-6</b>	<b>35</b>	
		22	1	2	<b>48225-3</b>	<b>35</b>	

Item	Description	Faceplate	Locking points	Throws	Type	Backset	Price
	<p><b>Roller-bolt and dead-bolt</b></p> <ul style="list-style-type: none"> <li>- A6 Cylinder 0E300-07-12</li> <li>- 2.5 to 16.5mm adjustable roller</li> <li>- Stainless steel strike 06461-07 1.5mm x 25mm</li> <li>- Insert for roller 06141-86</li> </ul> <ul style="list-style-type: none"> <li>• Supplied with 06443-21- Security grade 6</li> <li>• Supplied without 06443-21-Security grade 3</li> </ul>	22	3	2	48250-6	35	
	<p><b>Cylinder protection rose</b>, for cylinder AP3, Astral (with ..long key) and Asix. Chrome plated carbonitrited.. ..steel complete with cover ring 06473-60, spacers.. ..and screws</p> <ul style="list-style-type: none"> <li>- for AP3, ASTRAL, Asix</li> <li>- for TSP, SP, C2000</li> </ul> <p>Note – suitable for 60mm cylinder length with door thickness.. ..of 44mm.</p>				06460 06460	05 06	
	<p><b>Additional Locking Points</b></p> <ul style="list-style-type: none"> <li>• Set of lateral extended bolts operated by internal rods</li> <li>• Horizontal sliding deadbolts with <b>Hardened Steel Inserts</b>.</li> <li>• Stainless steel faceplate 22 x 3mm</li> </ul> <p><b>Included</b></p> <ul style="list-style-type: none"> <li>- 06461-08 Stainless Steel Strike x2</li> <li>- Pair of bolts diam 8mm</li> <li>- Guiding clamps 06224</li> <li>- Connectors 06291-20</li> </ul>				06443	21	
	<p><b>Stainless steel strike</b> for 18225 , 48225, 48250 25 x 1.5mm</p>				06461	07	
	<p><b>Strike insert</b> for Roller Locks with 06461-07and 06461-40</p>				06141	86	
	<p><b>Stainless steel strike</b> for 48220, 06443-21 25 x 1.5mm</p>				06461	08	

Suitable for use in Shop Fronts and Public Buildings

# MULTITOP

### Technical Features

- ☞ Geared operating device for reducing...  
...key effort.
- ☞ Zinc Plated Steel Case
- ☞ Nickel plated latch and horizontal..  
...slide dead bolt.
- ☞ Independent locking points: if one of the dead-  
bolts is forced open, the others will stay  
locked
- ☞ Top and bottom horizontal slide bolts with.....  
...**Hardened Steel Inserts**

### Certification

- ☞ This lock is certified according to EN 12209:03 and draft WI 33250:04:
  - **Security grade 6:** Bolt
    - 1000 kg side push resistant
    - 600 kg front push resistant
  - **Durability grade X**
    - 200 000 cycles 120N load ..  
.. on the latch
  - **Corrosion Resistance: F(48726)**
    - High Corrosion Resistant
    - 96 hour salt spray test
  - **Door Mass grade 8**
    - up to 200kg doors, 15N max  
...closing force.



Item	Description	Faceplate	Locking points	Throws	Type	Backset	Price
	<ul style="list-style-type: none"> <li>☞ <b>Electric lock – Dead-bolt and latch</b> <b>BLACK LAQUERED 2,6m adjustable flat faceplate</b></li> <li>- upper adjustment 650mm</li> <li>- lower adjustment 150mm</li> <li>• 10.5 to 16.5 mm adjustable latch and piston</li> <li>• - 12V ac CE</li> <li>• Black Steel Strike Plate 06463-22</li> <li>• 2 Black Steel Strike Plate 06465-22</li> <li>• Includes Nylon Strike Spacer 06141-35</li> <li>- <b>A6 Cylinder 0E300-07-12</b></li> </ul>	24	3	2	18526-6	30	
	<ul style="list-style-type: none"> <li>☞ <b>Deadbolt and latch</b> <b>STAINLESS STEEL 2.3m adjustable flat face plate</b></li> <li>- upper adjustment 350mm</li> <li>- lower adjustment 150mm</li> <li>• 11 to 17mm adjustable latch</li> <li>• Stainless Steel Strike Plate 06463-33</li> <li>• 2 S/Steel Strike Plate 06465-33</li> <li>• Includes Nylon Strike Spacer 06141-35</li> <li>• - <b>A6 Cylinder 0E300-07-12</b></li> </ul>	24	3	2	48726-6	30	

Suitable for use in Shop Fronts and Public Buildings

# MULTITOP

### Technical Features

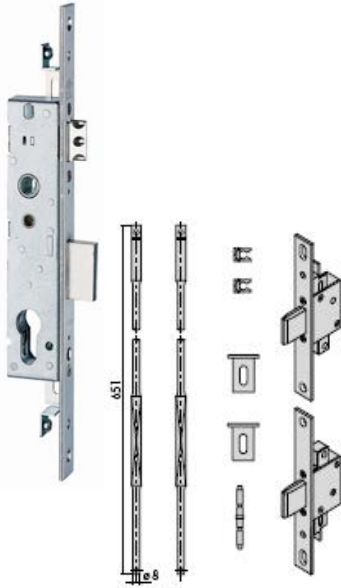
- ☞ Geared operating device for reducing...  
...key effort.
- ☞ Stainless steel faceplate: 24 x 3mm
- ☞ Zinc Plated Steel Case
- ☞ Nickel plated latch and horizontal slide dead-bolts, with **Hardened steel inserts**.
- ☞ Independent locking points: if one of the dead-bolts is forced open, the others will stay locked


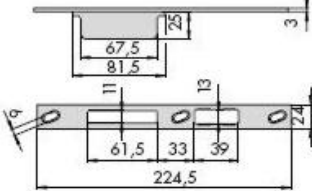
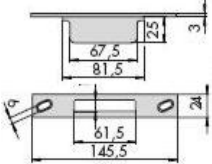
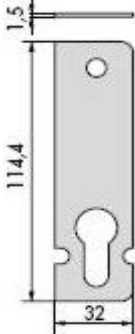
### Included


- ☞ 06443-21 ADDITIONAL LOCKING POINTS  
Set of lateral extended bolts operated...  
...by internal rods.
- Horizontal Slide bolts with **Hardened Steel**..
- ...Inserts
- 06461-41 Stainless Steel Strike x2
- 06460-05 Cylinder protection rose for Asix
- 06436-10/11 Drill resistant plates.




### Certification

- ☞ This lock is certified according to EN 12209:03 and draft WI 33250:04:
- **Security grade 7:** Bolt
  - 1000 kg side push resistant
  - 600 kg front push resistant
 version with 06443-21
- **Security grade 7:** Bolt
  - Secure after total drilling time...  
...of 10 minutes
- **Durability grade X**
  - 200 000 cycles 120N load ..  
... on the latch
- **Corrosion Resistance: F**
  - High Corrosion Resistant
  - 96 hour salt spray test
- **Door Mass grade 8**
  - up to 200kg doors, 15N max.  
...closing force



Item	Description	Faceplate	Locking points	Throws	Type	Backset	Price
	<ul style="list-style-type: none"> <li>☞ <b>Deadbolt and latch</b></li> <li>- A6 Cylinder 0E300-07-12</li> <li>- 11 to 17mm adjustable latch</li> <li>- Stainless steel strike 06461-40 3mm x 24mm</li> </ul> <ul style="list-style-type: none"> <li>• Supplied with 06443-21 Add. Locking points Security Grade 7</li> </ul>	24	3	2	48229-7	35	
	<ul style="list-style-type: none"> <li>☞ <b>Stainless steel strike 24 x 3mm with protection box... ...for dead-bolt. Supplied with 48229.</b></li> </ul>				06461	40	
	<ul style="list-style-type: none"> <li>☞ <b>Stainless steel strike 24 x 3mm with protection box... ... for dead-bolt. Supplied with 06443-21</b></li> </ul>				06461	41	
	<ul style="list-style-type: none"> <li>☞ <b>Lock protection plate to increase drill resistance</b></li> <li>- for 48229</li> <li>- for 06443-21</li> </ul>				06436 06436	10 11	

	<p><b>Technical Features</b></p> <ul style="list-style-type: none"> <li>☞ Zinc Plated Steel Case</li> <li>☞ Stainless Steel faceplate:22mm</li> <li>☞ Nickel plated latch roller and dead-bolt.                     <ul style="list-style-type: none"> <li>- Reversible latch</li> </ul> </li> </ul>	<p><b>Certification</b></p> <ul style="list-style-type: none"> <li>☞ This lock is certified according to EN 12209:03</li> <li>• <b>Security grade 3: Bolt</b> <ul style="list-style-type: none"> <li>- 500 kg side push resistant</li> <li>- 400 kg front push resistant</li> </ul> </li> <li>• <b>Durability grade X</b> <ul style="list-style-type: none"> <li>- 200 000 cycles 120N load ..</li> <li>.. on the latch</li> </ul> </li> <li>• <b>Corrosion Resistance: C</b> <ul style="list-style-type: none"> <li>- High Corrosion Resistant</li> </ul> </li> <li>• <b>Door Mass grade 7</b> <ul style="list-style-type: none"> <li>- up to 100kg doors, max 15N ..max. closing force.</li> </ul> </li> </ul>
---	--	--

Item	Description	Faceplate	Locking points	Throws	Type	Backset	Finish	Price	Price for 100 per type
	<p>☞ <b>Latch and long throw deadbolt.</b></p> <ul style="list-style-type: none"> <li>• Stainless Steel faceplate:22mm</li> <li>• Long Single Throw Deadbolt</li> <li>• Latch operated by key and handle</li> <li>• Stainless Steel Strike 06163S</li> <li>• <a href="#">Logoline Cylinder 08010-07-12</a></li> </ul>	22	1	1	44820	20	20		
	<p>☞ <b>Adjustable Roller and long throw deadbolt</b></p> <ul style="list-style-type: none"> <li>• Stainless Steel faceplate:22mm</li> <li>• Long Single Throw Deadbolt</li> <li>• Stainless Steel Strike 06148S</li> <li>• <a href="#">Logoline Cylinder 08010-05-12</a></li> <li>• Nylon rose 06012-01</li> </ul>	22	1	1	44830	20	20		
	<p>☞ <b>Deadbolt long throw</b></p> <ul style="list-style-type: none"> <li>• Stainless Steel faceplate:22mm</li> <li>• Long Single Throw Deadbolt</li> <li>• Nickel Plated Brass Strike 07032-12</li> <li>• <a href="#">Logoline Cylinder 08010-05-12</a></li> <li>• Nylon rose 06012-01</li> </ul>	22	1	1	44840	25	20		







**Technical Features**

- ☞ Anodized Aluminium Handle – 24 Micron
- ☞ Secure version with no visible outside fixing screws
- ☞ Powder coated handles all have UV Inhibitors to prevent discoloration
- ☞ Special Stainless Steel Handle Fixing screw, pierces the spindle to give secure handle fitment
- ☞ Backplates 220mm long x 26mm wide x 6mm thick

**Includes**

- Zinc plated 8mm Spindle with one hollow end for permanent fixing
- 3mm Allen Key
- Fixing screws for 44mm doors width

Item	Description	Type	Price	Price for 100 per type
	<ul style="list-style-type: none"> <li>☞ <b>Slimline Natural Anodised</b></li> <li>• Stainless Steel Fixing screws</li> <li>• Set of Handles on backplate C X C 85mm</li> </ul>	H28SN		
	<ul style="list-style-type: none"> <li>☞ <b>Special Slimline Natural Anodised</b></li> <li>☞ Set of Double Grip Pull Handles. C X C 85mm</li> <li>☞ Set of Grip and Lever Handle. C X C 85mm</li> <li>☞ Set of Long Grip and lever handle for Electric Lock 16215. C X C 85mm</li> <li>☞ <b>Slimline Handles for Panic Locks 92mmCxC</b></li> <li>☞ Set of Grip and Lever Handle for.... ....panic locks. C X C 92mm</li> <li>☞ Set of Double Lever Handles. C X C 92mm</li> <li>☞ Outside lever handle only CxC92mm for use. ...with Fast Panic Device and panic locks</li> </ul>	H28GN H28GH H28GHLONG H28PANIC H28PANICDB H28PANICOH	-	
	<ul style="list-style-type: none"> <li>☞ <b>Slimline – Black Powder Coated</b></li> <li>• Black Fixing screws</li> <li>• Set of Handles on backplate C X C 85mm</li> </ul>	H28SBL		
	<ul style="list-style-type: none"> <li>☞ <b>Slimline – Bronze Powder Coated</b></li> <li>• Bronze Fixing screws</li> <li>• Set of Handles on backplate C X C 85mm</li> </ul>	H28SB		
	<ul style="list-style-type: none"> <li>☞ <b>Slimline – White Powder Coated</b></li> <li>• White Fixing screws</li> <li>• Set of Handles on backplate C X C 85mm</li> </ul>	H28SW		