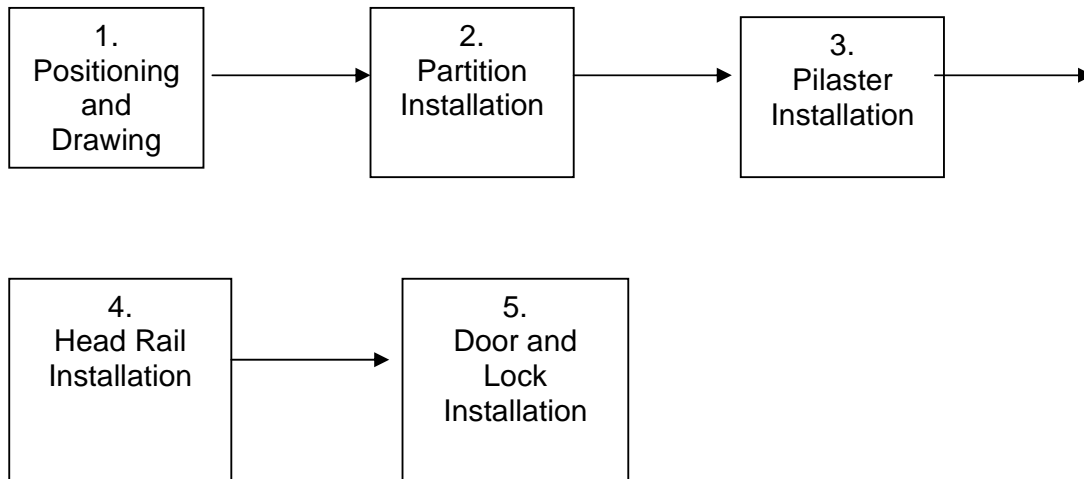


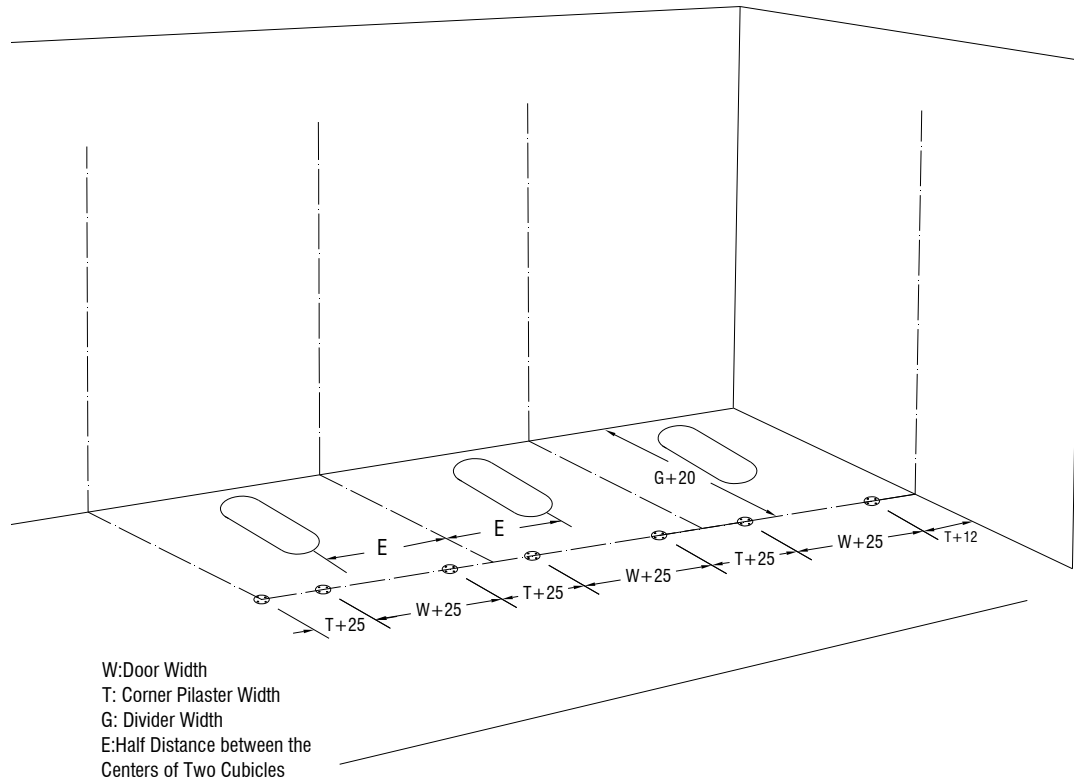
TOILET CUBICLE INSTALLATION GUIDE

Installation Procedure



1. Positioning and Drawing Layout on site:

Position and draw the cubicle layout on the floor and wall (make sure there are no water or electrical wire on or in the floor). Knock the floor tiles and wall tiles to ensure there are no empty sounds.

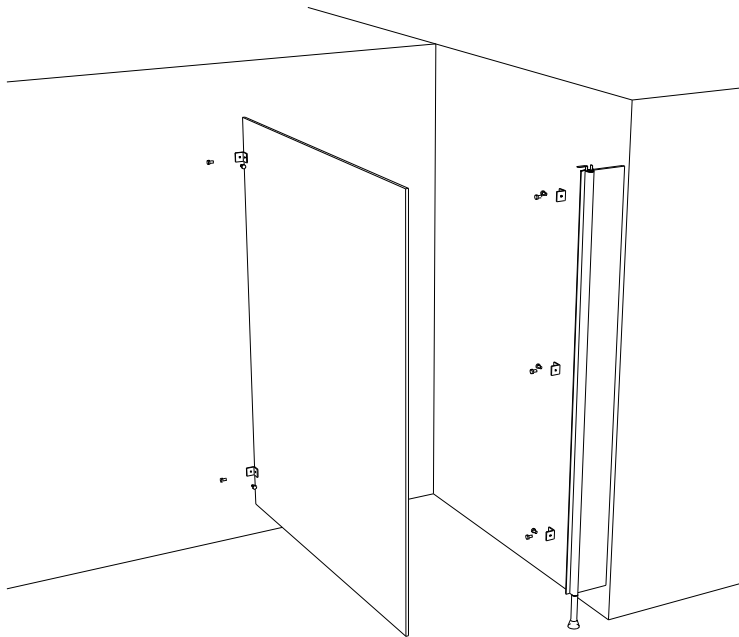


Note:

All holes must line up with floor tiles and wall tiles, dig shallow holes with M6 Glass Drill and then drill deep into holes with electrical hammer. Make sure all the holes line up exactly.

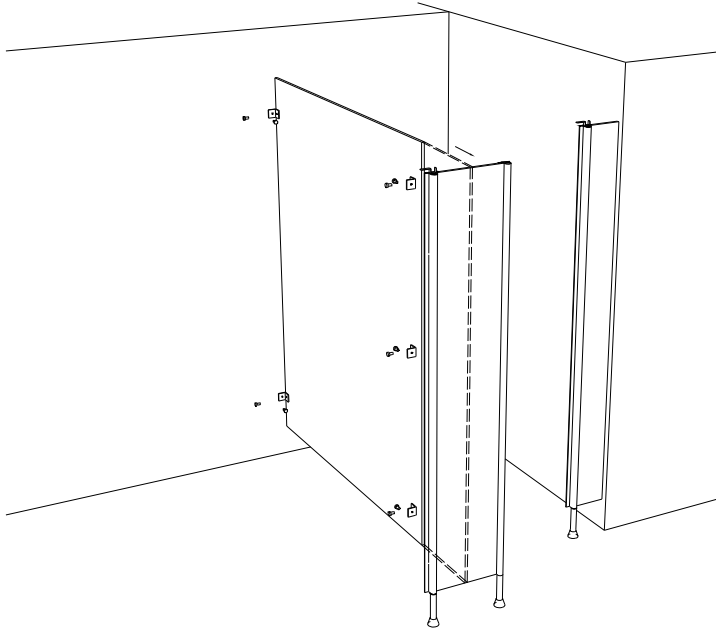
2. Divider Installation:

Fasten the Brackets onto the wall with self-taping screws and then fasten the Divider to the Brackets.

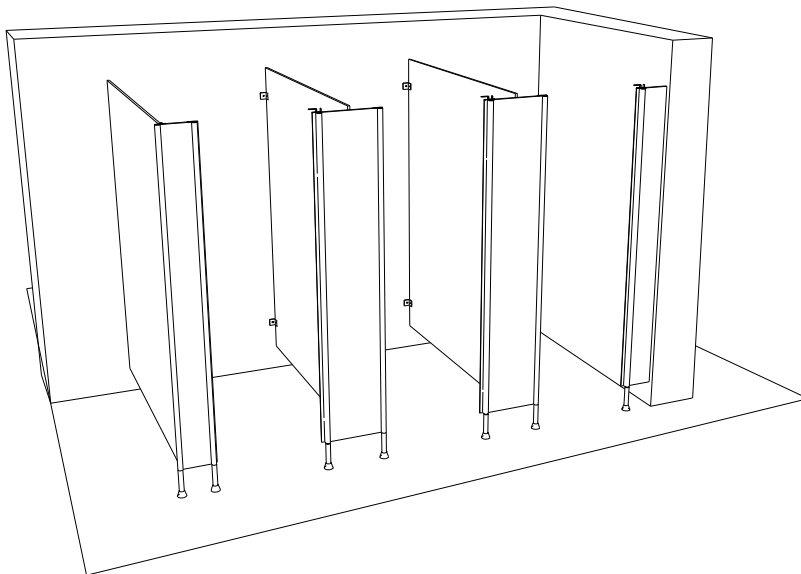


3. Pilaster Installation:

Fasten the Pilaster to the Dividers with Brackets.



Install all the Pilasters the same way.

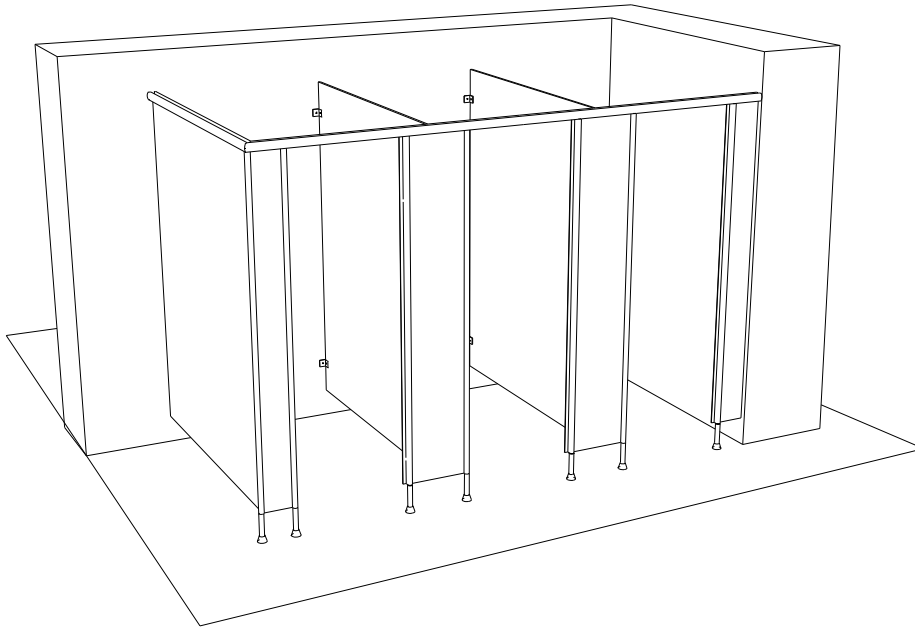


4. a) **Stainless Steel Angle Installation (Cube Standard):**

Cut the stainless steel angle to the exact size of the length of the toilet cubicles and connect with self-taping screws.

Note:

Angle can also be put along end Divider as shown in diagram.



b) **Stainless Steel Overhead Brace Support Rail (Cube Exclusive):**

Fix wall flange. Fix hanging brackets to panels directly above supporting feet for maximum support. Cut the stainless steel tube to the exact length and connect between flange, hanging bracket and corner brackets.

5. Door and Lock Installation

Doors are manufactured 50mm wider than the door opening, sit behind the Pilasters and are fixed with an appropriate hinge. Door should sit with a 15mm overlap on the locking side and 35mm on the hinge side to take up any tolerance of walls not being plumb.

