



**DORMA Glas
MIRAGE Pool Gate
Fittings**

DORMA Mirage



Contents

General Information Page 1

Gate Configuration Alternatives Page 2

Gate Pivot Assemblies Page 3

Gate Fittings & Hydraulic Control Page 4

Magnetic Gate Latching Solutions Page 5

Point Fix Fittings Page 6

Balustrade Fittings Page 7

M1 & M2 Series Balustrade Spigots Page 8

MIRAGE Series Fittings - DORMA proudly offer a comprehensive range of frameless glass pool gate, fence and balustrade fittings and solutions designed specifically to meet the rigors of the Australasian marketplace.

MIRAGE Series Pool Gate and Balustrade Solutions

With one of the warmest climates on Earth, a natural tendency towards outdoor living, and the ever increasing demands for glass in construction, it is no wonder the DORMA range of pool and balustrade fittings has fallen under such strong demand.

Through an extensive program of product research and development, DORMA Glas proudly offer to the market a comprehensive range of pool gate and balustrade fittings designed specifically to meet the stringent requirements of the Australasian marketplace. Suited to an immensely broad range of applications, and made wherever possible from 316 grade stainless steel, the MIRAGE range of Pool and Balustrade fittings are amongst the very best available.

All DORMA solutions rely on hydraulic operation ensuring that at all times gate motion is under full control, and positive engagement of the locking mechanism is achieved. Centered above the market leading DORMA BTS Floor Springs Series, our solutions offer complete hydraulic gate control, self closing and

latching functionality, and as a result maximum safety and peace of mind.

Throughout our extensive Australasian Sales and Distribution network you will be pleased to find highly skilled representatives eager to work with you in delivering solutions tailored both to your projects requirements, and its users specific needs. We take pride in the delivery of solutions not just hardware, and guarantee that all DORMA products are engineered to a quality standard not price.

Rest assured if you cannot find the answers in our standard range of fittings, we have the capacity and expertise to deliver custom designed solutions in either minimal quantities or production level runs.

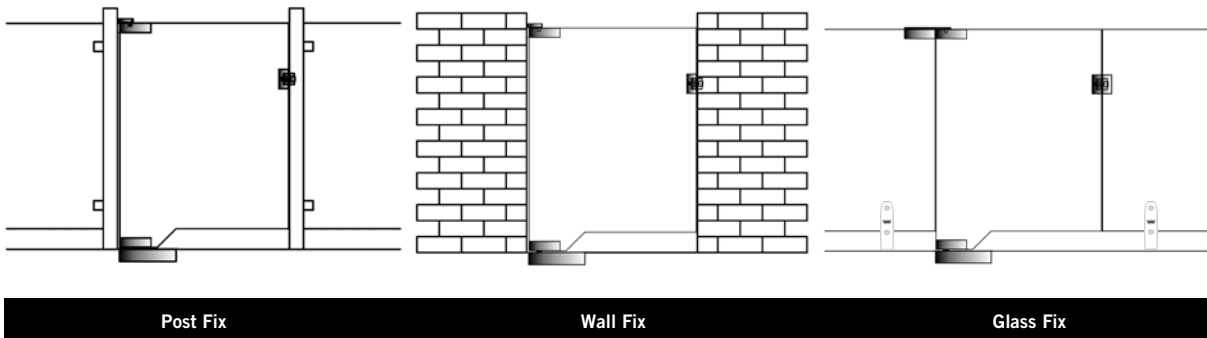
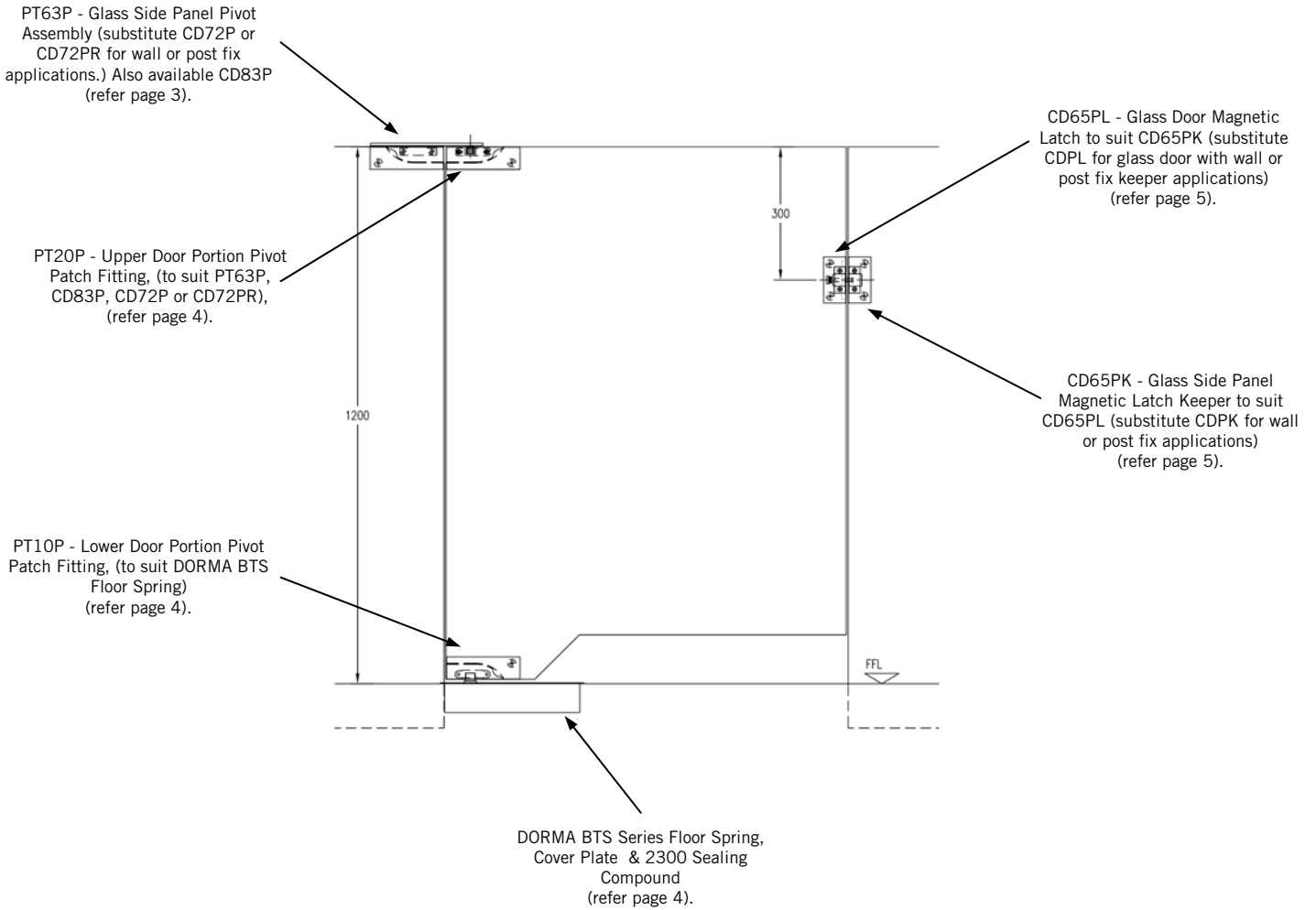


Photograph courtesy Stevens Glass, Melbourne

DORMA MIRAGE Pool Gate Patch Fittings

The MIRAGE range of frameless glass pool gate patch fittings and locking solutions feature hydraulic controlled self closing, self latching solutions to suit glass, post or wall fix applications.

MIRAGE Frameless Glass Pool Gate Configuration Options



DORMA MIRAGE Pool Gate Pivot Assemblies

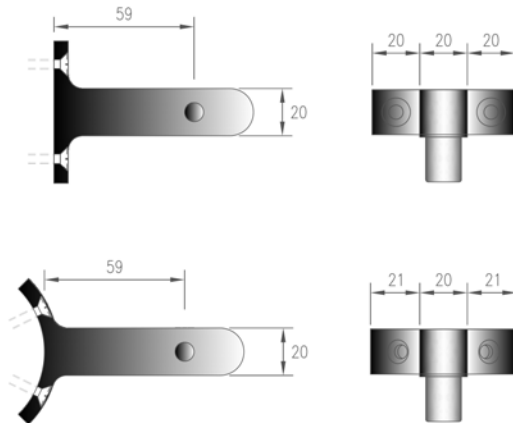
The MIRAGE range incorporates a variety of pivot solutions, suited to a wide range of glass, post or wall fix applications and configuration angles.

CD72P & CD72PR Post & Wall Fix Pool Gate Upper Pivot Assemblies

Designed for applications where pivot operation is required to non full height doors or gates, the CD72P series is made from solid 316 SS, and is available in satin or polished finishes.

The CD72P is suited to either wall or square post fixed applications.

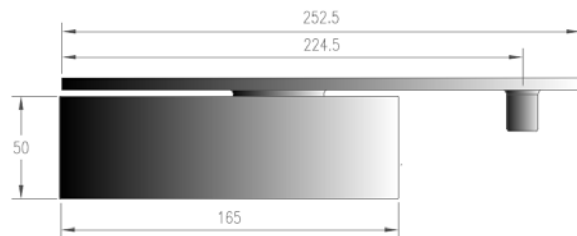
The CD72PR is designed to suit round post applications (as standard to suit a 50mm, 63mm or 75mm diameter post, with special diameter applications available on request).



PT63P Glass Side Panel Pivot Assembly

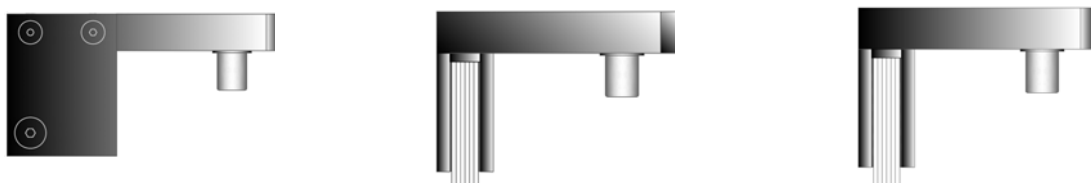
Designed for applications where pivot operation is required to non full height doors or gates, the CD63P is an evolution of the original CD83P assembly. It has been designed to match more closely with the general dimensions and appearance of the PT10P and PT20P gate portion patches. Wherever possible its components consist of stainless steel, and the fitting is available in satin and polished finishes.

It is designed for applications where pivoting from a glass side panel is required.



CD83P Glass Side Panel Pivot Assembly

Designed for applications where pivot operation is required to non full height doors or gates, the CD83P is made from solid 316 SS, and available in satin or polished finishes. It is designed for applications where pivoting from a glass side panel is required, and can be supplied to suit 90°, 135° or 180° glass junction applications, as well as to suit special angles on request.



CD83P 180° Glass to Glass Pivot CD83P/135 135° Glass to Glass Pivot CD83P/90 90° Glass to Glass Pivot

DORMA MIRAGE Pool Gate Assemblies

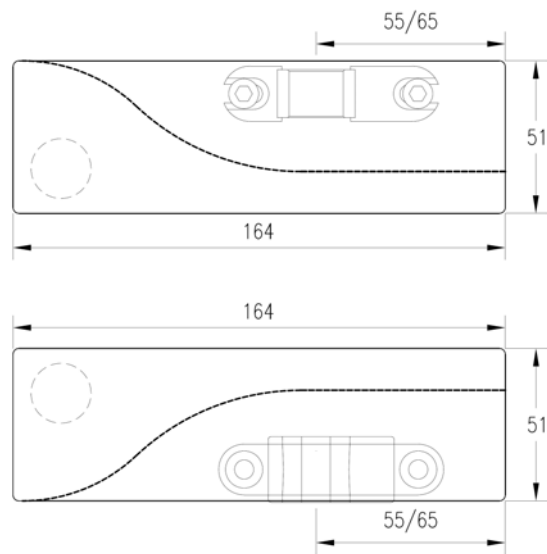
The MIRAGE range utilizes the DORMA BTS84 Floor Spring Series to provide hydraulically controlled self closing, self latching solutions to suit glass, post or wall fix applications.

PT10P Lower & PT20P Upper Door Portion Pivot Patch Fittings

Adapted from our commercial PT10 and PT20 patch fittings, the PT10P and PT20P variants are complimented by SS fixings and cover caps to ensure superior performance within our harsh and varied Australasian climate.

A proven performer in the commercial sector, users can rest assured MIRAGE series fittings are ideally suited to their application, providing years of trouble and maintenance free operation.

The PT10P and PT20P are both designed specifically for use with the DORMA MIRAGE range of pivot assemblies and BTS floor spring series.

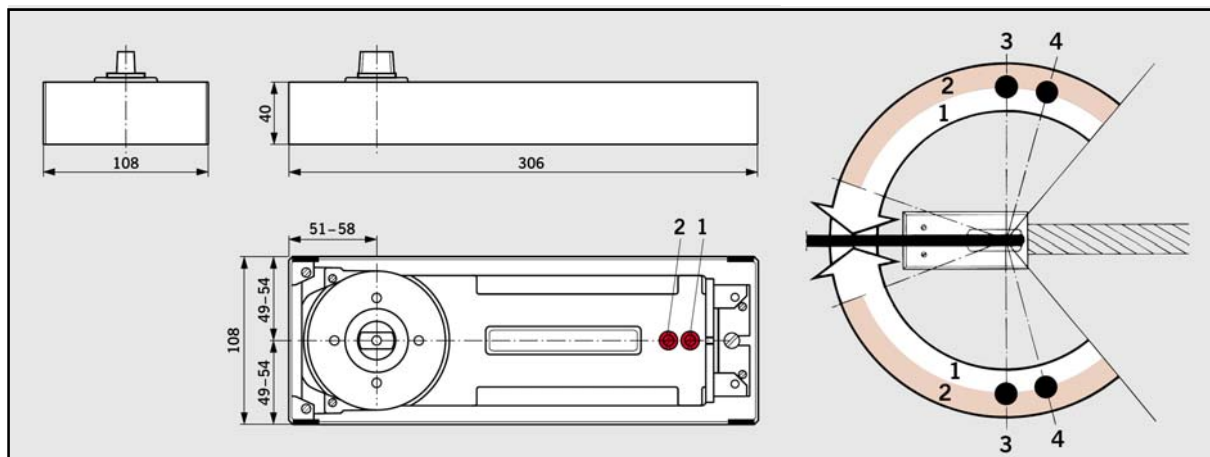


BTS84 EN2 Non Hold Open Floor Spring Series

Manufactured with a special shallow design, the DORMA BTS84 EN2 is a floor spring which has been specially developed to suit toughened glass door applications. The BTS84 has many of the features of other DORMA BTS Closers, but with the added benefit of a reduced body depth, and an array of optional accessories.

Where being used for external gate applications the addition of the DORMA 2300 sealing compound to the floor spring mounting box ensures protection from environmental and corrosive agents. This guarantees years of trouble and maintenance free operation.

Where larger doors or gates need to be accommodated, we recommend the use of heavier spring strength versions of the BTS84, or the alternative BTS75V or BTS80 closer bodies.



- 1. Valve for Closing speed Adjustment 130° - 0°
- 2. Valve for Increasing Closing Speed 130°-20°

- 1. First adjusting closing range (130° - 0°)
- 2. Second adjusting closing range (130° - approx. 20°)

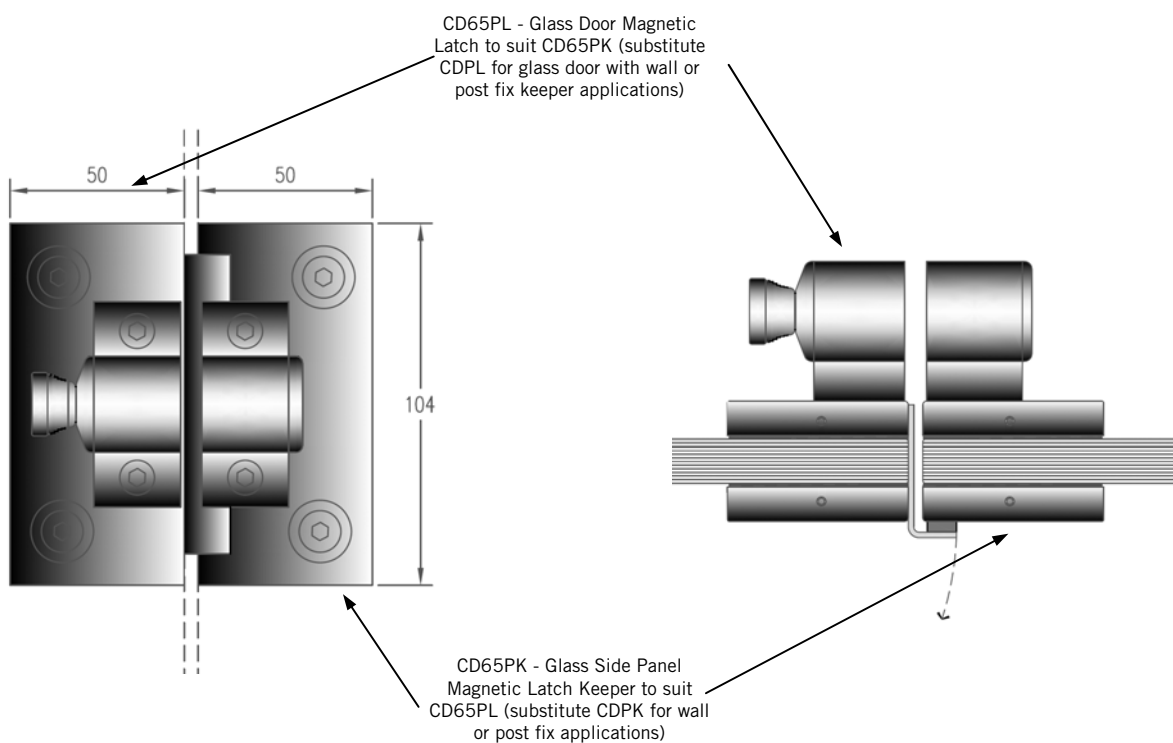
DORMA MIRAGE Pool Gate Patch & Balustrade Fittings

The combination of DORMA Floor Springs and magnetic latching solutions ensures premium safety, reliability and peace of mind - where safety is paramount, accept no substitutes.

CD65PL & CD65PK Glass Gate and Side Panel Magnetic Patch Lock and Keeper

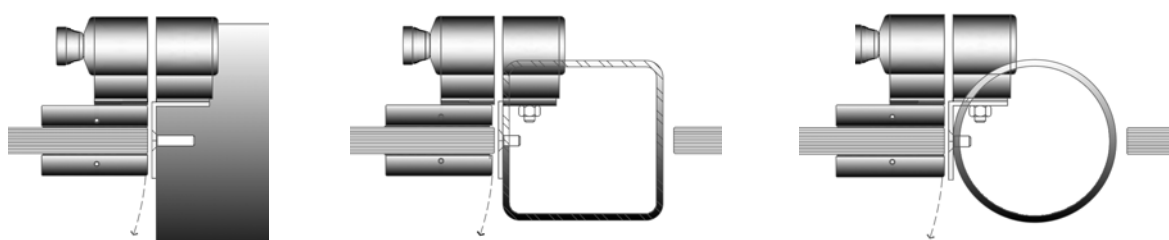
The CD65PL and CD65PK fittings deliver absolute peace of mind. When combined with the BTS floor spring series the overall solution is both self closing and latching, while at all times allowing for full control of the gate. This ensures complete safety and reliability, all combined with a visually stunning appearance.

The CD65PL & PK Series is also available to suit 90° corner applications (pictured page one), as well as specials angles on application.



CDPK Post or Wall Portion Magnetic Patch Lock Keepers

Complimenting the CD65PK glass side panel magnetic latch keeper, we also offer an extended range of wall and post fix solutions. Featured below are the Type A - square post keeper (to suit a 75x75mm post as standard) Type B - round post keeper (to suit a 75mm diameter post as standard) and Type C - wall keeper. Specials are also available on application.



DORMA MIRAGE Pool Gate Patch & Balustrade Fittings

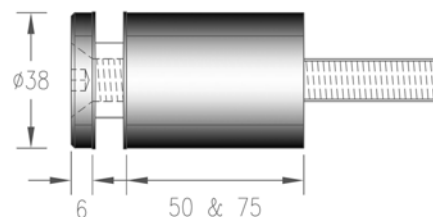
DORMA proudly offer a range of pool fence and balustrade fittings designed specifically for use within toughened glass assemblies.

CD138CB Countersunk Button, Point Fix Spacer

The CD138 Series Point Fixing and Spacer features a 38mm diameter Countersunk Disc Head. This ensures adequate spread of load onto the glass face, and ensures sufficient tamper resistant fixing can be achieved via the countersunk bolt and button head.

Formed from quality 316 SS, and supplied in satin or polished finishes, the CD138 is stocked with either a 50 or 75mm spacer. Specials are also available on application.

For further point fixing solutions please refer to Section 6 of the DORMA Glas Catalogue, or refer to www.dorma.com.au.

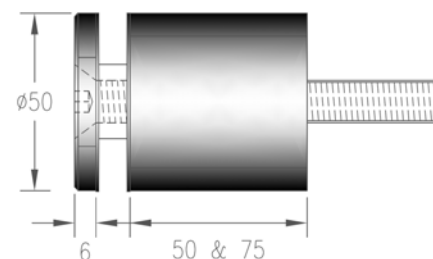


CD150CB Countersunk Button, Point Fix Spacer

The CD150 Series Point Fixing and Spacer features a 50mm diameter Countersunk Disc Head. This ensures adequate spread of load onto the glass face, and ensures sufficient tamper resistant fixing can be achieved via the countersunk bolt and button head.

Formed from quality 316 SS, and supplied in satin or polished finishes, the CD150 is stocked with either a 50 or 75mm spacer. Specials are also available on application.

For further point fixing solutions please refer to Section 6 of the DORMA Glas Catalogue, or refer to www.dorma.com.au.

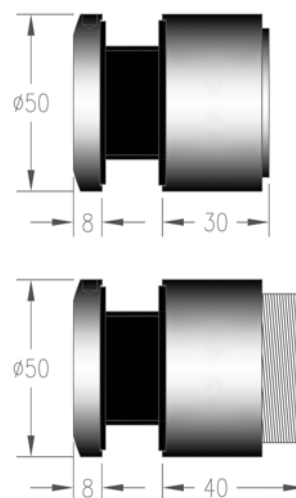


CD150B-AS Button, Adjustable Point Fix Spacer

A relatively new addition to the range, The CD150B-AS Series Point Fixing and Spacer features a 50mm diameter Button head, and 30-40mm adjustable spacer depth. The fitting has been designed to ensure quick and simple installation, while still allowing for immense on site flexibility.

Formed from quality 316 SS, and supplied in satin or polished finishes, the CD150B-AS is stocked with either a 30-40mm adjustable spacer. Specials spacer adjustment ranges are also available on application.

For further point fixing solutions please refer to Section 6 of the DORMA Glas Catalogue, or refer to www.dorma.com.au.



Where fittings are used with toughened safety glass to complete a structural fence or balustrade solution, care should always be taken to ensure the overall solution meets with a structural engineers approval, and complies with all relevant AS and BCA standards.

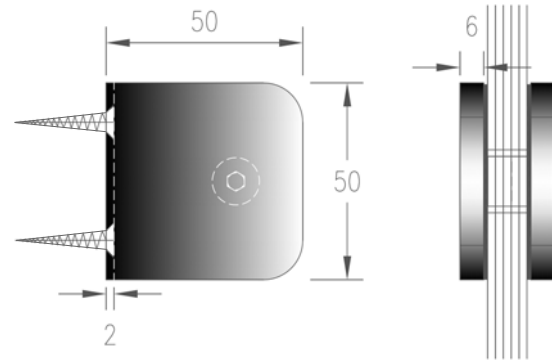
DORMA MIRAGE Pool Gate Patch & Balustrade Fittings

DORMA proudly offer a range of pool fence and balustrade fittings designed specifically for use within toughened glass assemblies.

CD161C/C Concealed Fix Rounded Wall or Post Glass Fixing Patch

The CD161C/C Series Bracket features a bolt through glass fixing, allowing safe and secure balustrade assemblies to be formed. Manufactured from solid 316 SS, fittings are available in both satin or polished finishes. Suits 8-12mm Glass.

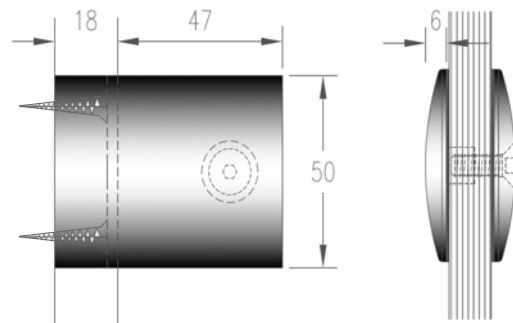
Complimenting the CD161C/C DORMA offer a wide range of point fix button, spacer and bracket solutions. For details on our full range please refer to Section 6 of the DORMA Glas Catalogue, or refer to www.dorma.com.au.



CD262C/C Concealed Fix Radiused Wall or Post Glass Fixing Patch

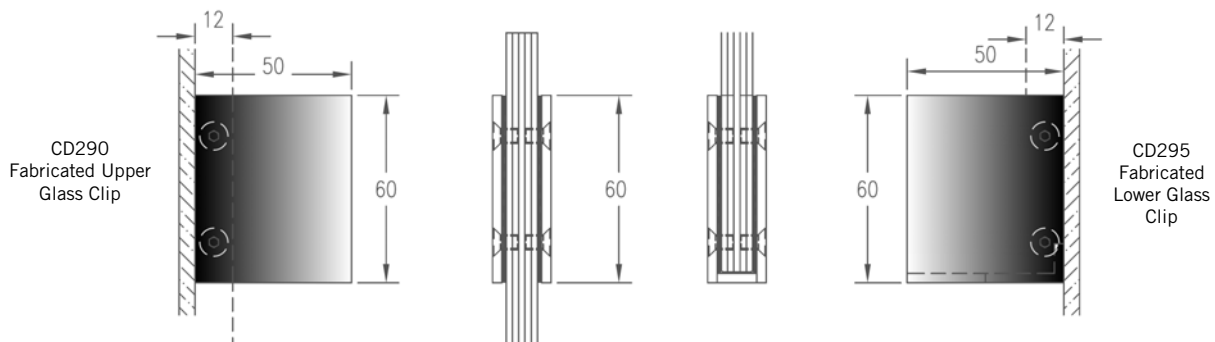
The CD262C/C Series is characterized by an attractive and distinct radiused face. The bracket features a bolt through glass fixing, allowing safe and secure balustrade assemblies to be formed. Manufactured from solid 316 SS, fittings are available in both satin or polished finishes. Suits 8-12mm Glass.

Complimenting the CD262C/C DORMA offer a wide range of point fix button, spacer and bracket solutions. For details on our full range please refer to Section 6 of the DORMA Glas Catalogue, or refer to www.dorma.com.au.



CD290 & CD295 Light Duty Balustrade Clamps

The CD290 Upper Glass Clip, and CD295 Lower Glass Clip with support plate, have been specifically designed for the clamping support of small glass panels in post or wall fix applications. Designed for use with both toughened or laminated safety glass, they are suited to panels of a maximum 1000 x 1000mm in size, and 25kg's in weight. All fittings are manufactured from 316 SS or Brass, and are available in satin or polished finishes. Suits 8-10mm Glass.



Where fittings are used with toughened safety glass to complete a structural fence or balustrade solution, care should always be taken to ensure the overall solutions meets with a structural engineers approval, and complies with all relevant AS and BCA standards.

MIRAGE Series Pool Fence & Balustrade Spigot

MIRAGE Series Pool Fencing & Balustrade Spigot

With one of the warmest climates on Earth, a natural tendency towards outdoor living, and the ever increasing demands for glass in construction, it is no wonder the DORMA range of Pool Fence and Balustrade Fittings has fallen under such strong demand.

Through an extensive program of product research and development, DORMA Glas proudly offer to the market a comprehensive range of pool gate and balustrade fittings designed specifically to meet the stringent requirements of the Australasian marketplace. Suited to an immensely broad range of applications, and made wherever possible from 316 grade stainless steel, the MIRAGE range of Pool and Balustrade fittings are amongst the very best available.

The Series is suited to a wide variety of applications, with comprehensive solutions for both chemset and surface mounted installation. TUV Tested, the fitting is supplied with the peace of mind that can only come from DORMA's worldwide warranty backup, technical support and product quality.

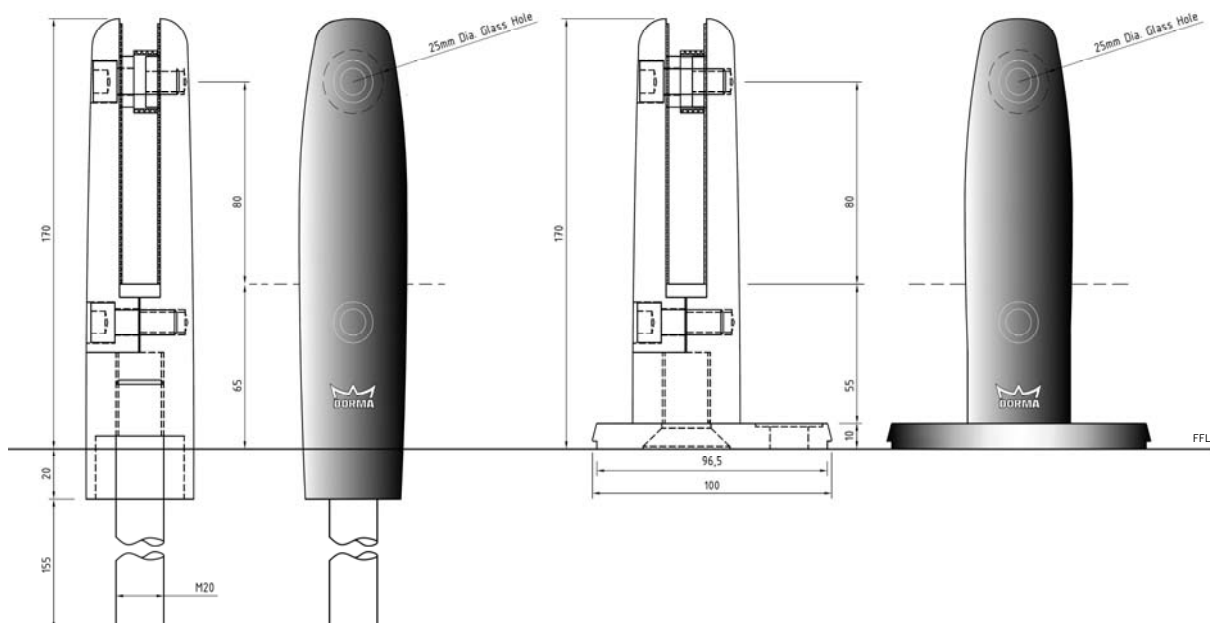
Featuring an innovative new tapered design style, each fitting requires only one glass penetration, while still allowing for panel widths of up to 4000mm (refer over for span data*). The results is more cost effective glass preparation, faster, easier installation and adjustment, and a final solution as unobtrusive as it is visually stunning.

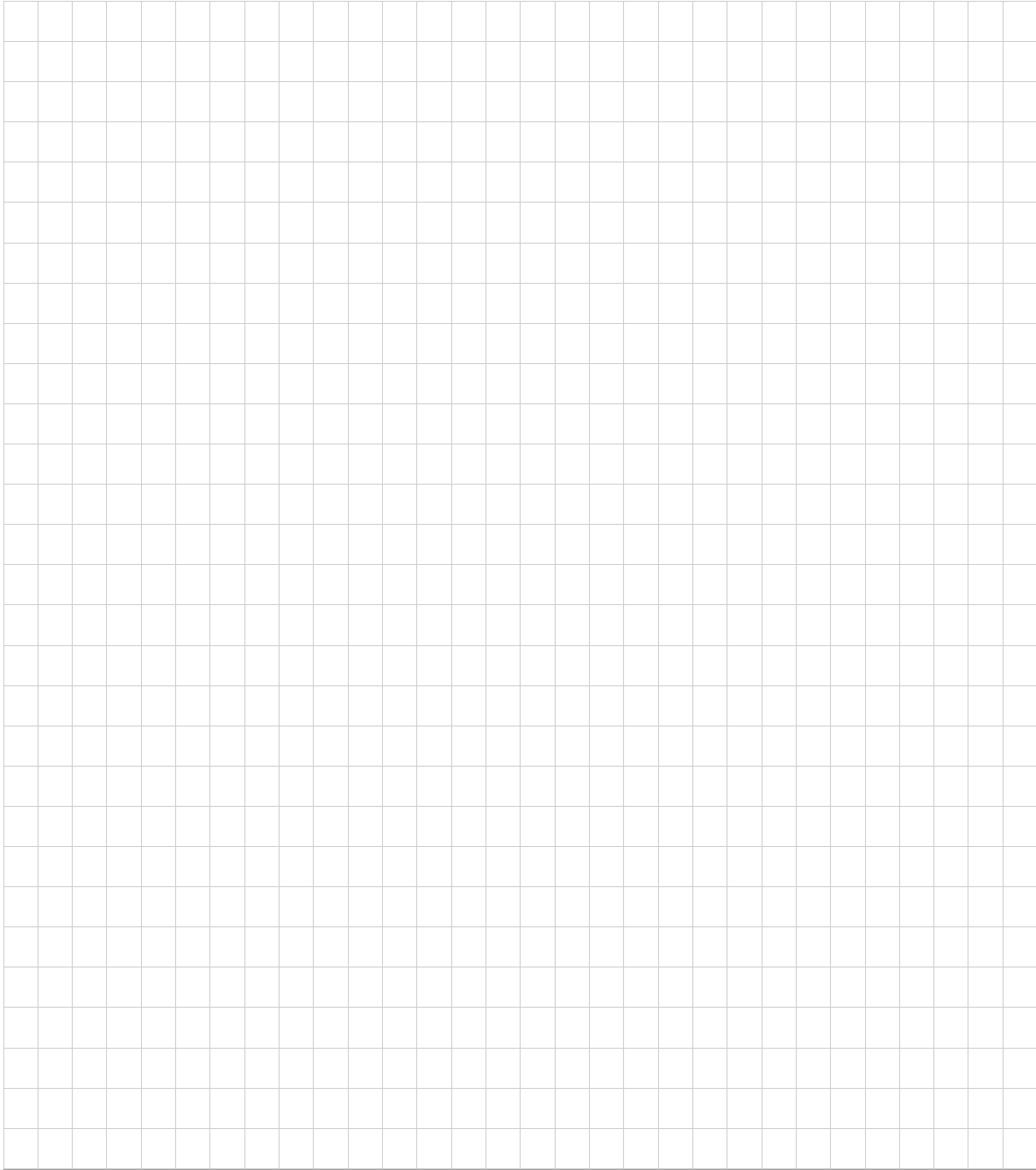
*Refer DORMA for separate Frameless Structural Balustrade Span recommendations, as distinct from Pool Fencing.

Technical Specifications:

Material:	316 Grade Stainless Steel			
Available Finishes:	Satin Stainless Steel Polished Stainless Steel			
Glass:	12 or 15mm			
Specify:	M1-M20.SSS	Chemset Variant	316 Grade Satin SS	(On App.)
	M1-M20.PSS	Chemset Variant	316 Grade Polished SS	(Stock)
	M2-SM.SSS	Surface Fix Variant	316 Grade Satin SS	(On App.)
	M2-SM.PSS	Surface Fix Variant	316 Grade Polished SS	(Stock)
	M1-M20.SM	Core Fix Dress Ring (Note Circular Hole)		

MIRAGE M1 - Core Drill & M2 - Surface Mount Series Pool Fencing Spigots





Issue No. 04.08

Division Glas Australia
CDS Patch Fittings (Aust) Pty. Ltd.
22 York Road
Ingleburn NSW 2565

Phone: +61 2 9605 5822
Fax: +61 2 9605 3675
Email: infoglas@dorma.com.au

www.dorma.com.au
A DORMA Group Company

Division Glas New Zealand
DORMA NZ Ltd.
20 Sylvia Park Road
Mount Wellington, Auckland

Phone: +64 9 573 1999
Fax: +64 9 573 1991
Email: infoglas@dorma.com.au

www.dorma.com.au
A DORMA Group Company

DORMA Glas Australia
CDS Patch Fittings (Aust) Pty. Ltd.
22 York Road
Ingleburn, NSW, 2565
Phone +61 2 9605 5822
Fax +61 2 9605 3675

DORMA Glas NZ
DORMA NZ Ltd.
20 Sylvia Park Road
Mount Wellington, Auckland
Phone +64 9 573 1999
Fax: +64 9 573 1991

infoglas@dorma.com.au
www.dorma.com.au

A DORMA Group Company