



# WC PANS, SANITARYWARE AND LAUNDRY PRODUCTS

Product Guide

*Make  
it  
Wonderful*

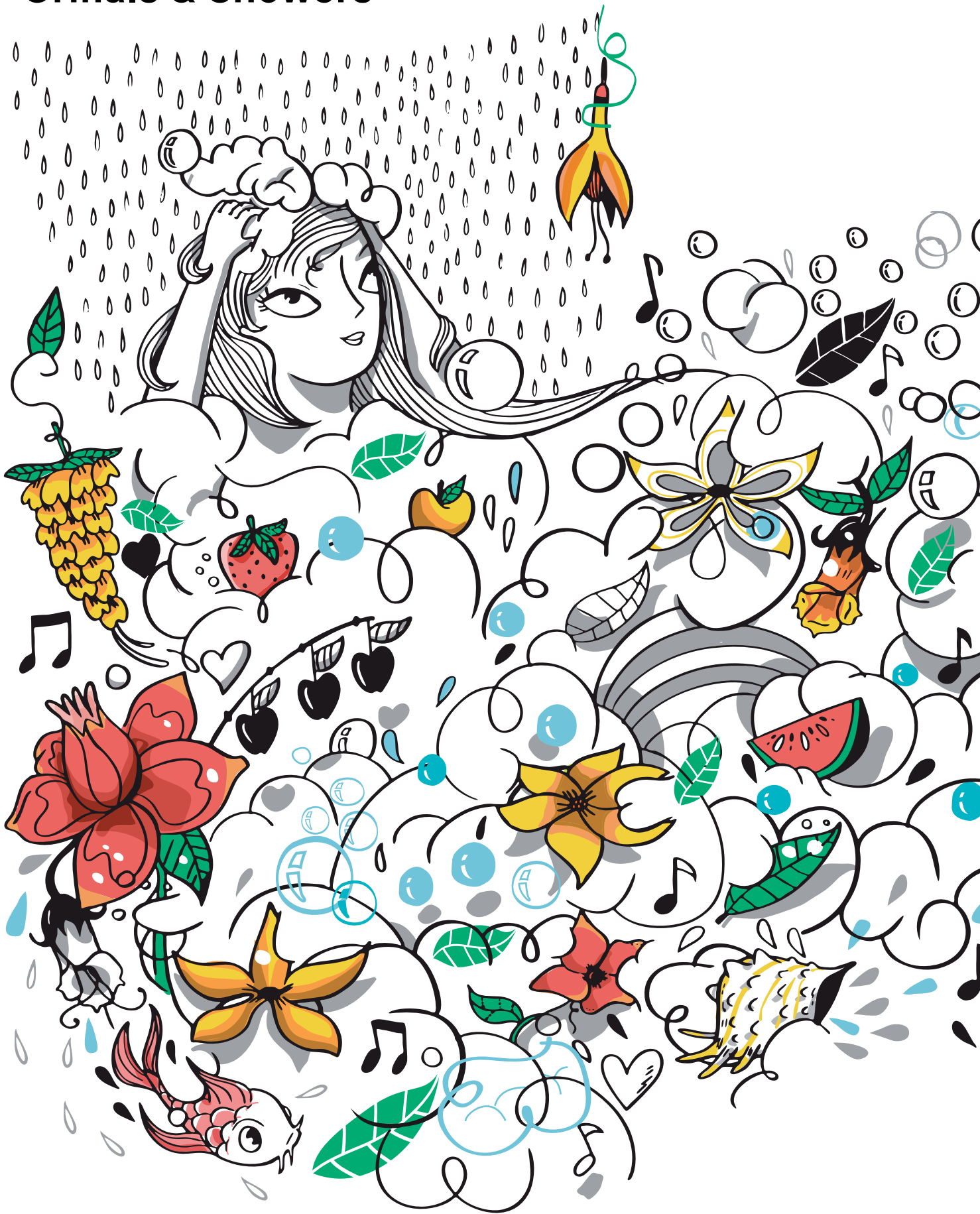
**FRANKE**

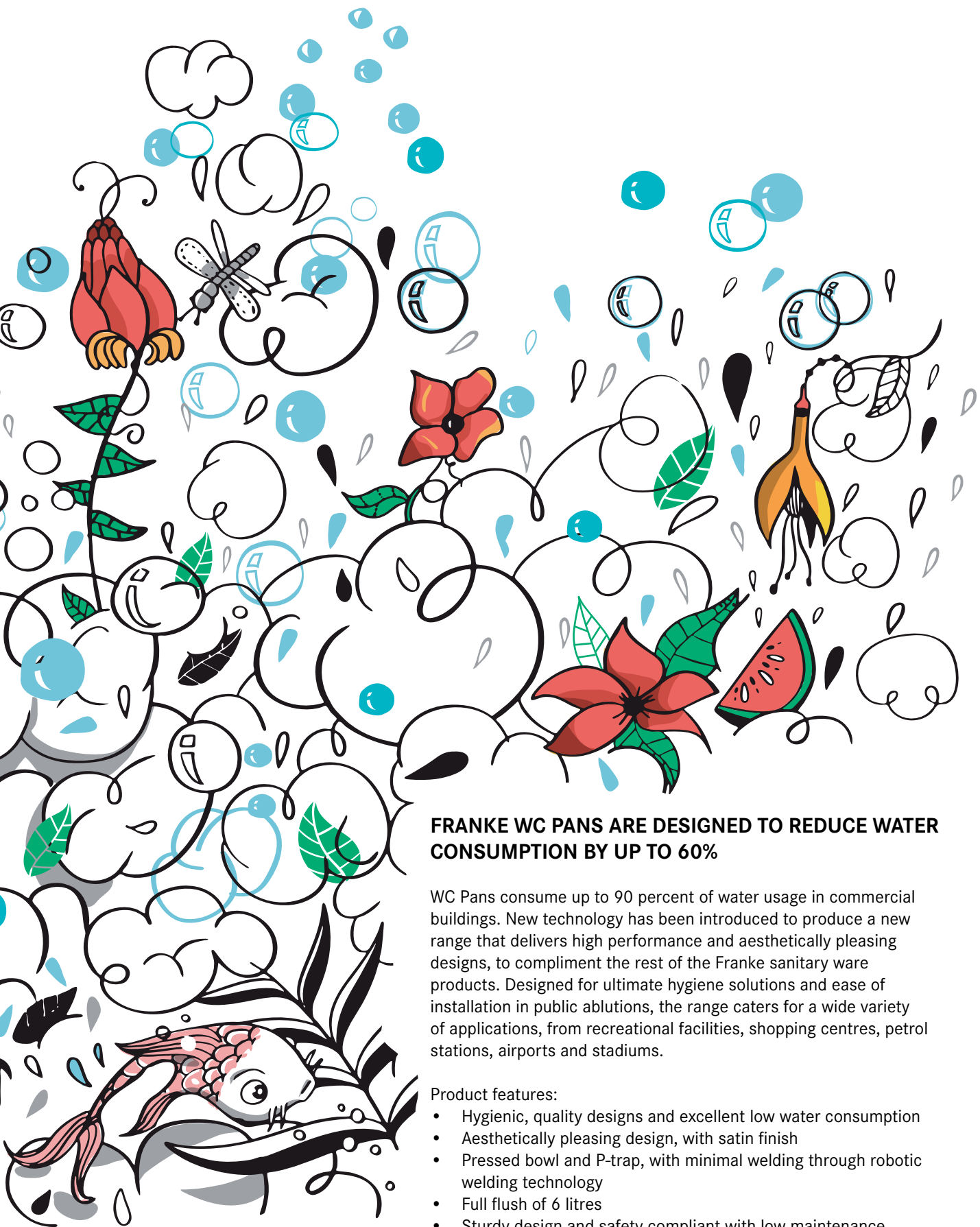
# Index

<b>WC Pans, Squat Pans, Urinals &amp; Showers</b>	<b>1 - 14</b>
CMPX592 - Standard Wall Hung Pan	3
CMPX594 - Wall Hung Pan for Disabled	4
HDTX 597 Wall & Floor Mounted Shrouded Pan	5
HCL Pedestal WC Pan	6
Squat Pans	7
Stainless Steel Cistern	7
Franke Model BS Shower Trays	8
CMPX538 Wall Hung Urinal - Back & Top Entry Flushing	9
Barron Bowl Urinal	10
Urinals: CB101 (Flush Valve) & CB102 (Autoflush)	11 - 12
Trough Urinals: TU101 (Flush Valve) & TU102 (AutoFlush)	13 - 14
<b>Wash Hand Basins</b>	<b>17 - 26</b>
OVAL V Inset Vanity	17
Rondo 300 & 360 Inset / Undermount Vanity Basins	17
Undermount Wash Hand Basin	18
Oval A Wash Hand Basin (Wall Mounted)	18
Oval B Wash Hand Basin (Wall Mounted)	19
Rondo WM Wall Mounted Wash Hand Basin	19
FSW & FSWSB Heavy Duty Surrond Wash Hand Basins (Wall Mounted)	20
WB001 Wash Hand Basin (Wall Mounted)	21

Eagle Brackets	22
WB Wash Hand Basins (Ranges)	22
Gallow Brackets & Legs (for Ranges)	22
Chronos Range of Wash Hand Basins (Ranges)	23
Flat Bed Wash Hand Basins (Ranges)	24
Custom Made Slab Sink With Knee Operated valves	24
Wash Fountain & Basin (Foot or Hand Operated)	25
DF Pedestal Type Drinking Fountain	26
<b>LAUNDRY PRODUCTS</b>	<b>27 - 34</b>
DLT Luxtub - Inset Type Washtrough	29
LDL Luxtub - Wall Mounted Washtrough	29
Falcon Brackets for Washtroughs	30
SIRX342 Washtrough	30
SIRX Washtrough Fixing Brackets	31
SIRX Washtrough Range	31
Gallow Brackets & Legs (for Ranges of Washtroughs)	32
ET101 Fabricated Single Washtrough	33
ET102 Fabricated Double Washtrough	33
ET103 Fabricated Mini Washtrough	34
HRT Half Round Washtrough	34
<b>ISO Certificates</b>	<b>35</b>

# WC Pans, Squat Pans, Urinals & Showers





## FRANKE WC PANS ARE DESIGNED TO REDUCE WATER CONSUMPTION BY UP TO 60%

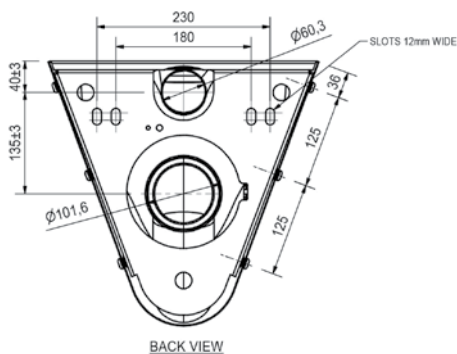
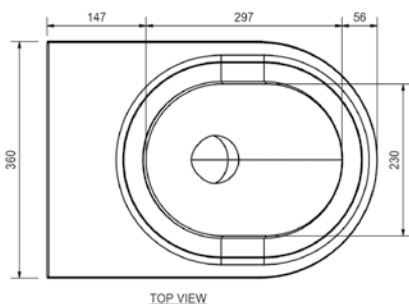
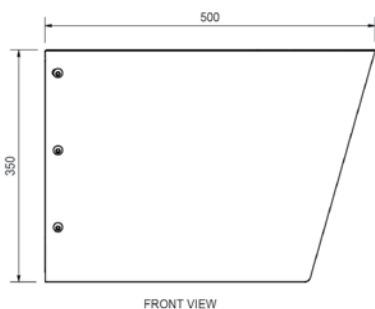
WC Pans consume up to 90 percent of water usage in commercial buildings. New technology has been introduced to produce a new range that delivers high performance and aesthetically pleasing designs, to compliment the rest of the Franke sanitary ware products. Designed for ultimate hygiene solutions and ease of installation in public ablutions, the range caters for a wide variety of applications, from recreational facilities, shopping centres, petrol stations, airports and stadiums.

### Product features:

- Hygienic, quality designs and excellent low water consumption
- Aesthetically pleasing design, with satin finish
- Pressed bowl and P-trap, with minimal welding through robotic welding technology
- Full flush of 6 litres
- Sturdy design and safety compliant with low maintenance compared with ceramic and composite materials

# WC Pans, Squat Pans, Urinals & Showers

IMAGE TYPE / MODEL DIMENSIONS (L X D X H) mm PRODUCT CODE



## CMPX592 - Standard Wall Hung Pan

Each wall hung pan is supplied with a 3mm thick Stainless Steel wall fixing bracket. The WC pan is fixed to the wall bracket with x 6 security screws.

Wall hung pans are designed to accommodate :

- Back or top entry inlet to suit 38mm flush pipe connection for a Flush Valve **or**
- Designed to fit onto a concealed flushing system

Franke Model CMPX592 Stainless Steel wall hung WC pan. Manufactured from Grade 304 (18/10) Stainless Steel, 360x500x350mm. Unit to be a back entry or a top entry (please specify). Unit to be supplied with 3mm thick Stainless Steel wall fixing bracket and fitted in accordance with manufacturers specifications using 4 x 8mm anchor bolts (elsewhere measured).

Compliant with SABS 1733:1998 and SABS 497:1991 WC pan to flush with 6 litres of water. Pan to withstand point load of 400kg as per international standards. Optional seat available (please specify).

### Flushing - WC pan to make provision for:

Top entry flushing provisions **or**

Back entry flushing **or**

Flushing with Geberit system (Please specify)

(Flushing mechanisms specified elsewhere)

- Grade 304 (18/10) polished Stainless Steel
- Hygienic and vandal resistant
- Pressed components to ensure consistent quality and performance
- 6 litres flushing
- Heavy duty outer casing conceals the plumbing
- One piece cast Stainless Steel "P" Trap

CMPX592 - Back Entry	360x500x350	<b>2540137</b>
CMPX592 - Top Entry	360x500x350	<b>2540142-001</b>
CMPX592* with Seat Holes to suit Estonia Seat	360X500X350	<b>2540137-001</b>
*Back Entry Only		

### Optional Toilet Seats available (Please specify) If required, seat must be specified with WC Pan

Estonia Soft Closing seat (black) <b>or</b>	<b>2540095</b>
Estonia Soft Closing seat (white) <b>or</b>	<b>2540094</b>

### WATER CONSERVATION AND QUALITY ASSURANCE

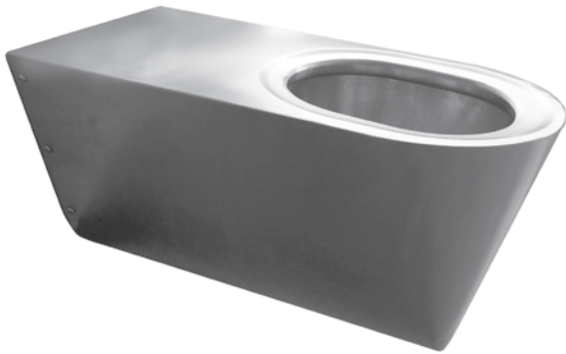
Complies with SABS and LGA DIN EN International Standards.  
Please refer to Page 4 for details.

\* SEAT SOLD SEPARATELY

# WC Pans, Squat Pans, Urinals & Showers

IMAGE	TYPE / MODEL	DIMENSIONS (L X D X H) mm	PRODUCT CODE
-------	--------------	---------------------------	--------------

## CMPX594 - Wall Hung Pan for Disabled



Each wall hung pan is supplied with a 3mm thick Stainless Steel wall fixing bracket. The WC pan is fixed to the wall bracket with x 6 security screws.

Wall hung pans are designed to accommodate :

- Back or top entry inlet to suit 38mm flush pipe connection for a Flush Valve or
- Designed to fit onto a concealed flushing system

Franke Model CMPX594 Stainless Steel wall hung WC pan. Manufactured from Grade 304 (18/10) Stainless Steel, 360x700x350mm. Unit to be a back entry or a top entry (please specify). Unit to be supplied with 3mm thick Stainless Steel wall fixing bracket and fitted in accordance with manufacturers specifications using 4 x 8mm anchor bolts (elsewhere measured).

Compliant with SABS 1733:1998 and SABS 497:1991 WC pan to flush with 6 litres of water. Pan to withstand point load of 400kg as per international standards. Optional seat available (please specify).

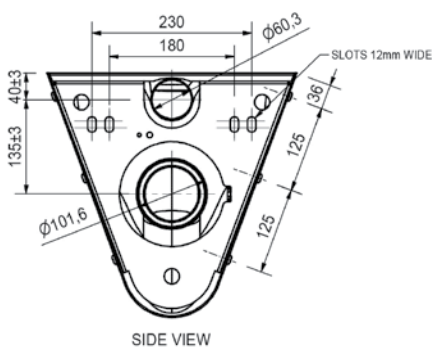
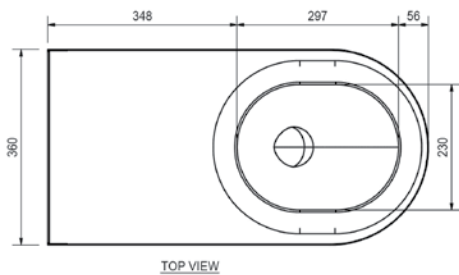
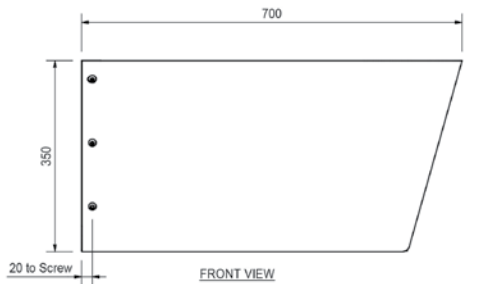
### Flushing - WC pan to make provision for:

Top entry flushing provisions or

Back entry flushing or

Flushing with Geberit system (Please specify)

(Flushing mechanisms specified elsewhere)



CMPX594 - Back Entry	360x700x350	<b>2540138</b>
CMPX594 - Top Entry	360x700x350	<b>2540138-003</b>
CMPX594 BE* with Seat Holes to suit Estonia Seat	360X700X350	<b>2540138-002</b>

### Optional Toilet Seats available (Please specify)

If required, seat must be specified with WC Pan

Estonia Soft Closing seat (black) or

**2540095**

Estonia Soft Closing seat (white) or

**2540094**

### WATER CONSERVATION AND QUALITY ASSURANCE

Complies with SABS and LGA DIN EN International Standards.

Please refer to Page 4 for details.

\* SEAT SOLD SEPARATELY

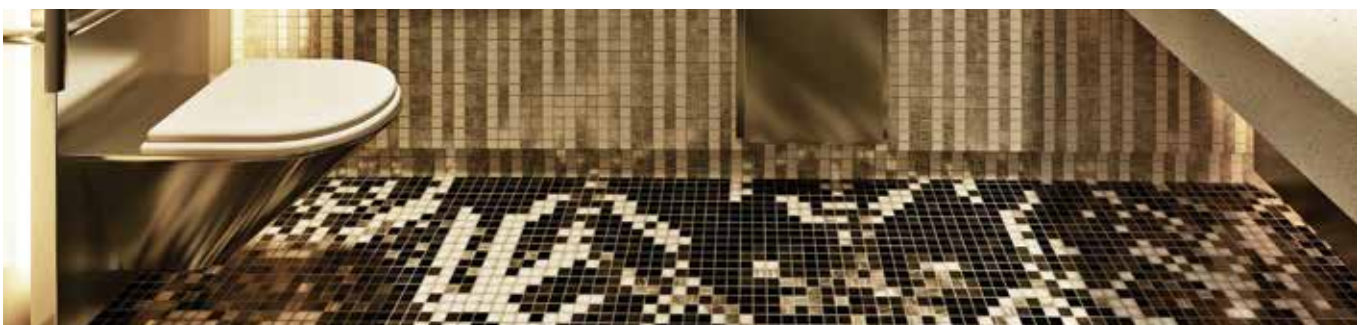


IMAGE	TYPE / MODEL	DIMENSIONS (L X D X H) mm	PRODUCT CODE
-------	--------------	---------------------------	--------------



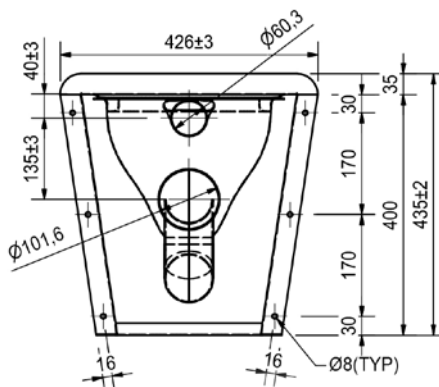
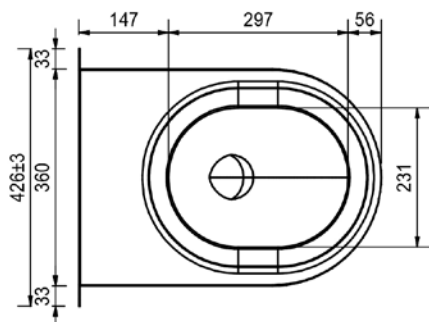
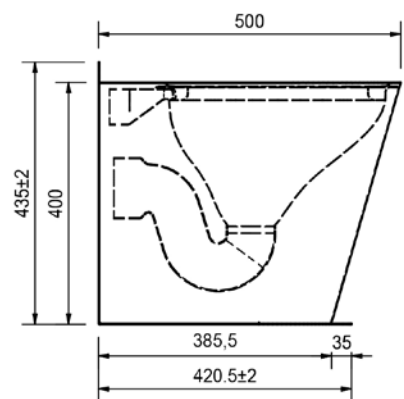
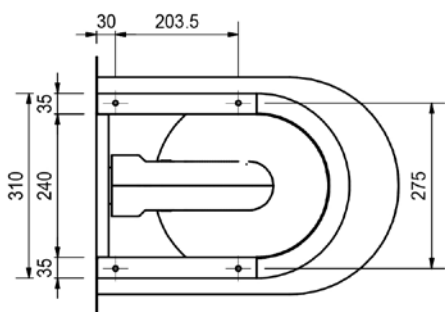
## HDTX597 Wall and Floor Mounted Shroud Pan

Franke Model HDTX597 Heavy Duty Wall and Floor Mounted WC Pan 360x500x435mm high. Unit to be manufactured from Grade 304 (18/10) Stainless Steel 1,2mm gauge. Unit to be manufactured with a pressed flushing rim and integral "P" Trap with a 102mm outlet pipe and a 60mm back entry inlet pipe to suit a rubber flush inlet sealing bung. The pan to be manufactured with a shroud, with internal flanges for securing the pan through the wall and into floor with anchor bolts. (Bolts elsewhere measured).

Optional Extra:

Inlet and outlet pipes extended to 250mm.

- Grade 304 (18/10) Stainless Steel 1.2mm gauge
- Hygienic and vandal resistant
- Pressed components to ensure consistent quality and performance
- 4 or 6 litres flushing
- Heavy duty outer casing conceals the plumbing
- Pressed flushing rim
- Provision for secured fixing through wall and into floor
- Optional outlet and flush inlet pipes are available, which can be shortened/lengthened to suit plumbing



HDTX 597 with external flanges	360x500x450	<b>2540161</b>
HDTX 597 with external flanges with 250 mm long extended pipes	360x500x450	<b>2540162</b>
HDTX 597 with internal flanges (wall and floor)	360x500x450	<b>2540166</b>
HDTX 597 with internal flanges with 250 mm long extended pipes	360x500x450	<b>2540167</b>



# WC Pans, Squat Pans, Urinals & Showers

IMAGE	TYPE / MODEL	DIMENSIONS (L X D X H) mm	PRODUCT CODE
-------	--------------	---------------------------	--------------

## HCL Pedestal WC Pan

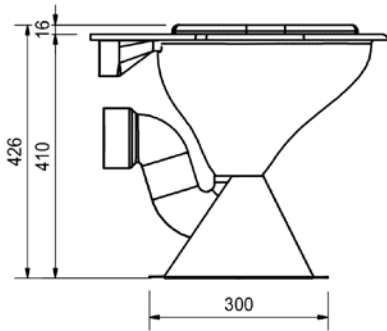


Franke Model HCL Pedestal WC Pan, unit to be manufactured from Grade 304 (18/10) Stainless Steel, 1,2mm gauge. Unit to be manufactured with a pressed flushing rim and integral "P" Trap with a 102mm outlet pipe, and a 60mm back entry inlet pipe to suit a rubber flush inlet sealing bung. The pan to be fitted with a Stainless Steel base which has flanges with 6mm holes for fixing the pan to the floor (bolts elsewhere measured).

- Grade 304 (18/10) Stainless Steel, 1.2mm gauge
- Hygienic and vandal resistant
- Pressed components to ensure consistent quality and performance
- 6 litres flushing
- Optional provision for seat or wooden slats

### Optional Flushing Systems:

- Surface mounted or concealed Flush Valve
- High level Stainless Steel cistern with Supa Flush Valve and a 38mm diameter Stainless Steel flush pipe.
- Low level Stainless Steel cistern with Supa Flush Valve and PVC flush pipe.

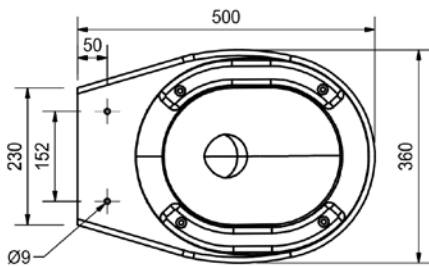


HCL Pan with Slats	360x500x ± 410	<b>2540154-001</b>
HCL Pan without Slats	360x500x429	<b>2540154</b>

Optional Toilet Seats available (Please specify)  
If required, seat must be specified with WC Pan

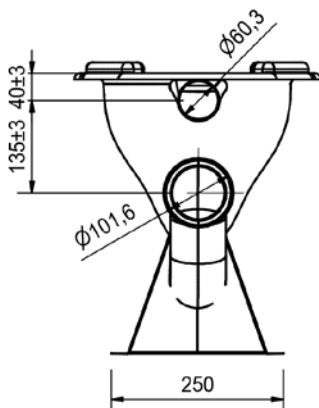
### WATER CONSERVATION AND QUALITY ASSURANCE

Complies with SABS and LGA DIN EN International Standards.  
Please refer to Page 4 for details.



Black Economy Seat

**2540079**



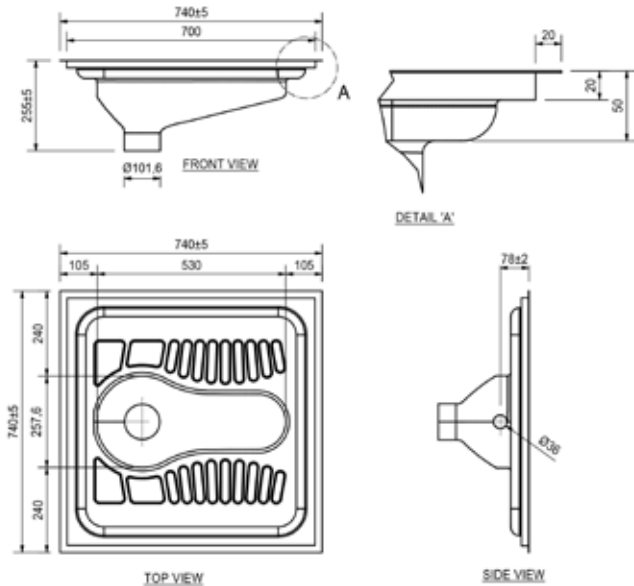
# WC Pans, Squat Pans, Urinals & Showers

IMAGE TYPE / MODEL DIMENSIONS (L X D X H) mm PRODUCT CODE



## Squat Pans

Franke Model 700x700mm OR 740x740mm... (please specify) Squat Pan. Unit to be manufactured from Grade 304 (18/10) Stainless Steel, 1,2 mm gauge with the foot plate and flush bowl pressed into one piece. The foot plate tray to be pressed in raised pattern on both sides and in front of the flush bowl. The unit will self seal with 38mm or 41mm flushing pipe (please specify), waste outlet with a 110mm external diameter, suitable for fitting to a standard 110mm PVC or cast iron waste connector.



- Grade 304 (18/10) Stainless Steel, 1.2mm gauge
- Hygienic pan cannot chip or crack
- Designed for the highest level of anti-vandal resistance
- Heavy duty construction external surfaces 1.2mm gauge
- Fully pressed design with raised tread plates
- Concealed back entry flush pipe inlet suitable for surface mounted or concealed flush valves, low or high level cisterns
- Supplied with flushing spreader
- Flushes with 9 Litres Low Level Cistern

### Optional Extras:

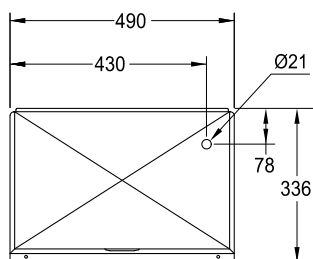
Also available with High level Stainless Steel cistern with Supa Flush Valve and 41mm diameter Stainless Steel flush pipe.

Squat Pan with 20 mm turn up all round	700x700	<b>2540077</b>
Squat Pan with 20 mm turn up and flange all round	740x740	<b>2540076</b>

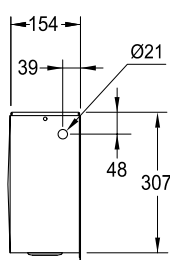


## Stainless Steel Cistern

Franke Model...(please specify) 11 Litre Cistern 490x336x150mm. Unit to be manufactured from Grade 304 (18/10) Stainless Steel. Low level cistern to be supplied complete with PVC flush pipe, supa flush valve and ball valve **OR** High level cistern supplied complete with supa flush valve with chain and ball valve...(please specify).



**FRONT VIEW**



**SIDE VIEW**

Optional Stainless Steel Flush Pipe 1700mm (please specify).

- Grade 304 (18/10) Stainless Steel
- Low or high level cistern.
- Low level cistern complete with PVC flush pipe and supa flush valve
- High level cistern complete with supa flush valve and chain
- 11 Litres high or low level cistern

SCL Low Level Cistern complete with PVC flush pipe, Supa Flush Valve and Ball Valve **2570005**

SCH High Level Cistern with Supa Flush Valve with Chain & Ball Valve **2570006**

Supa Flush Valve for HLC (High Level Cistern) with chain **2570007**

### OPTIONAL EXTRAS

Stainless Steel Flush Pipe 1700mm **2570016**

# WC Pans, Squat Pans, Urinals & Showers

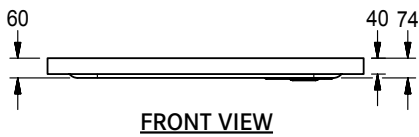
IMAGE TYPE / MODEL DIMENSIONS (L X D X H) mm PRODUCT CODE



## BS Shower Trays

Franke Model BS400 (800x800x75mm deep) OR BS401 (900x900x75mm deep)...(please specify), 75mm deep Pressed Shower Tray. Manufactured from Grade 304 (18/10) Stainless Steel, 1.2mm gauge. Unit with radiused corners and a patterned base, with 40mm apron all round and 38mm BSP integrated waste outlet. (Waste fitting elsewhere measured).

- Grade 304 (18/10) Stainless Steel 0,9mm gauge
- Hygienic cannot chip or crack
- Designed for the highest level of anti vandal resistance
- Radiused internal corners for easy cleaning
- One piece pressed seamless design with raised surface
- Built-in fall to 38mm BSP grated waste outlet in corner position



BS400	800x800x75	<b>2580006</b>
BS401	900x900x75	<b>2580005</b>

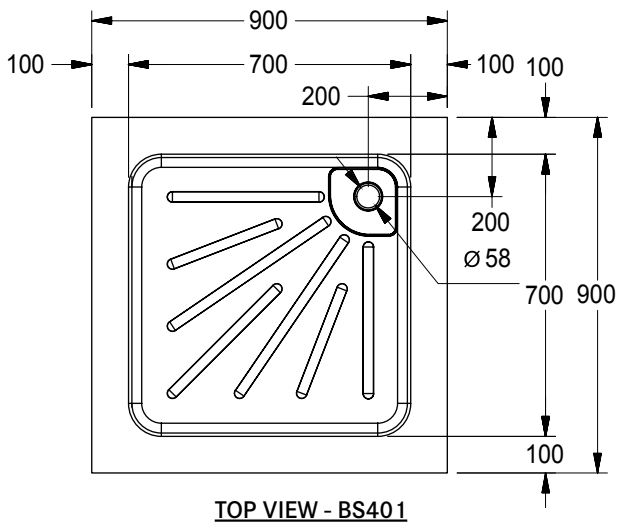
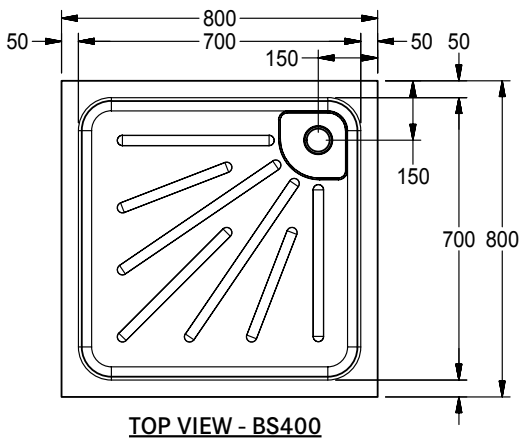


IMAGE	TYPE / MODEL	DIMENSIONS (L X D X H) mm	PRODUCT CODE
-------	--------------	---------------------------	--------------



## CMPX538 Wall Hung Urinal - Back or Top Entry Flushing

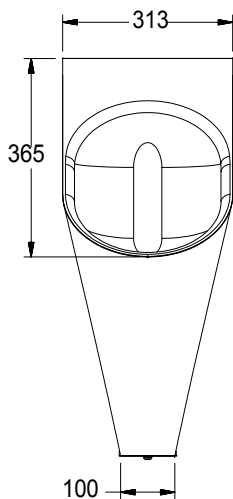
### BACK ENTRY

Franke Model CMPX538 Back entry single wall mounting urinal, 313 x 732 x 341mm with a pressed oval bowl. Unit to be manufactured from Grade 304 (18/10) Stainless Steel. Unit to be complete with 40mm waist outlet with a pressed perforated Stainless Steel grid and chrome plated button spreader with a 15mm coupling to connect to water supply. Unit to be mounted to the wall using a 1.2mm Stainless Steel bracket. Unit to be secured using rawl bolts. (bolts elsewhere measured)

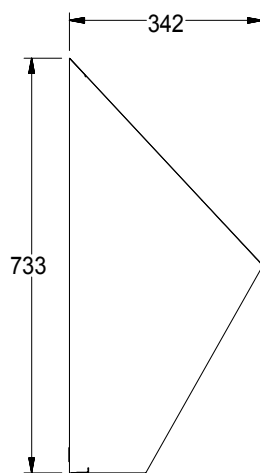
### TOP ENTRY

Franke Model CMPX538 Top entry single wall mounting urinal, 313 x 732 x 341mm with a pressed oval bowl. Unit to be manufactured from Grade 304 (18/10) Stainless Steel. Unit to be complete with 40mm waist outlet with a pressed perforated Stainless Steel grid and chrome plated button spreader with a 15mm coupling to connect to water supply. Unit to be mounted to the wall using a 1.2mm Stainless Steel bracket. Unit to be secured using rawl bolts. (bolts elsewhere measured)

- Heavy duty construction Grade 304 (18/10) Stainless Steel 1.2mm thick
- Hygienic cannot chip or crack
- Pressed bowl with a bright polished finish on outside
- Aesthetically appealing – matches any decor
- Available in two models: Top Entry and Back Entry
- Easy to Install Surface Mounting



**FRONT VIEW**



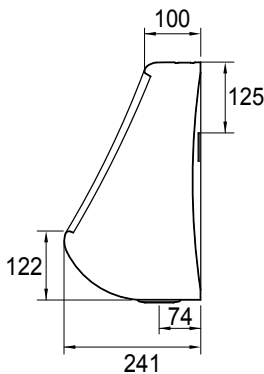
**SIDE VIEW**

CMPX538 (Back Entry)	313x733x342	<b>2540058</b>
CMPX538 (Top Entry)	313x733x342	<b>2540059</b>

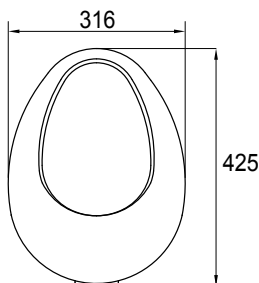
IMAGE	TYPE / MODEL	DIMENSIONS (L X D X H) mm	PRODUCT CODE
-------	--------------	---------------------------	--------------



TOP ENTRY  
FLUSH VALVE, BOTTLE TRAP & FITTINGS NOT INCLUDED



**SIDE VIEW**



**FRONT VIEW**

## Barron Bowl Urinal

### BACK ENTRY

Franke Model SBE (Back Entry Inlet) Barron Bowl Urinal, 316x425x241mm. Unit to be manufactured from Grade 304 (18/10) Stainless Steel, 1,2mm gauge. Unit to be complete with 40mm waste outlet with a pressed perforated Stainless Steel grid and a chrome plated button spreader with a 15mm coupling to connect to water supply. Bowl to be fitted with a 2mm thick mounting plate with two key hole slots for mounting the unit to the wall. (Bolts elsewhere measured).

### TOP ENTRY

Franke Model TE (Top Entry Inlet) Barron Bowl Urinal, 316x425x241mm. Unit to be manufactured from Grade 304 (18/10) Stainless Steel, 1,2mm gauge. Unit to be complete with 40mm waste outlet with a pressed perforated Stainless Steel grid and a chrome plated button spreader with a 15mm coupling to connect to water supply. Bowl to be fitted with a 2mm thick mounting plate with two key hole slots for mounting the unit to the wall. (Bolts elsewhere measured).

- Grade 304 (18/10) Stainless Steel, 1.2mm gauge
- Heavy duty construction, hygienic cannot chip or crack
- Pressed bowl with a bright polished finish on exterior
- Aesthetically appealing – matches any decor
- Available in two models: Top Entry and Back Entry
- Easy to Install Surface Mounting

### Recommended Fittings

Model TE (Top Entry): Flush Valve Specification

Cobra Junior Flushmaster ref FJ6.000

Tailpipe: Cobra ref FJT 5.5

Model BE (Back Entry): Flush Valve Specification

Cobra Junior Flushmaster ref FJ8.102 (concealed type with palm press push-button)

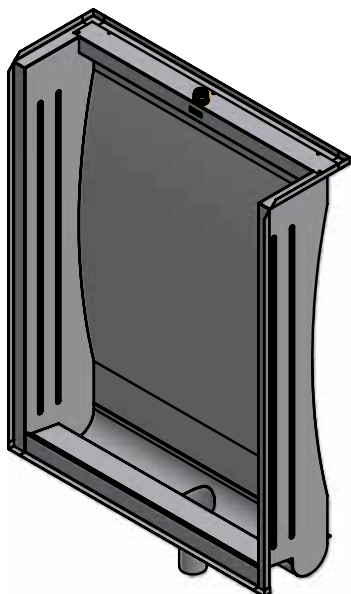
**Important: Kindly refer to Cobra regarding water pressure and flow.**

BE (Back Entry)	316x425x241	<b>2540055</b>
-----------------	-------------	----------------

TE (Top Entry)	316x425x241	<b>2540056</b>
----------------	-------------	----------------

\* FLUSH VALVE, BOTTLE TRAP & FITTINGS NOT INCLUDED

IMAGE	TYPE / MODEL	DIMENSIONS (L X D X H) mm	PRODUCT CODE
-------	--------------	---------------------------	--------------

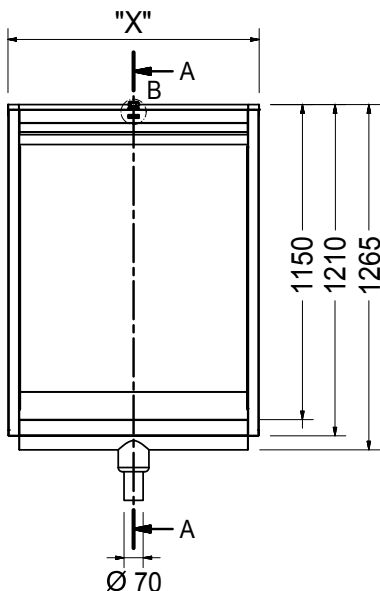


## Urinals: CB101: Flush Valve

Franke Model CB101 (flush valve) curved back urinal length...mm (please specify). Unit to be manufactured from Grade 304 (18/10) Stainless Steel. The urinal to be supplied with a concealed sparge pipe and a 22mm inlet with chrome plated conex fitting for connecting to high level cistern or urinal flush valve (elsewhere measured). Outlet to be situated on the left, or right, or centre (please specify) of the urinal with a 102mm removable domical grating and to include a built-in threaded plate. Urinal to be supplied with a tiling key to the sides and rear walls. The back to be fully sound deadened with vermin proof bitumastic material.

- Manufactured from 304(18/10) Stainless Steel
- Back of urinal fully sound deadened
- Sides and top complete with tiling key.
- For use with flush valve or high level cistern
- Concealed sparge pipe
- Supplied with a 70mm outlet
- Recessed Stainless Steel domical grating
- Free standing ends where end plate is exposed
- Sloped drip ledge for hygiene
- Standards lengths of 610 - 2440mm

CB101



Non Standard Wall & Floor Urinals (Available on request)

### “L” Shaped Urinal:

Franke Model CB101 or CB102 “L” Shaped curve back urinal length (... x...) (please specify) manufactured from Grade 304 (18/10) Stainless Steel. Unit will be supplied with one welded corner an easy assembly joint with sealing strip (as recommended).

### “U” Shaped Urinal:

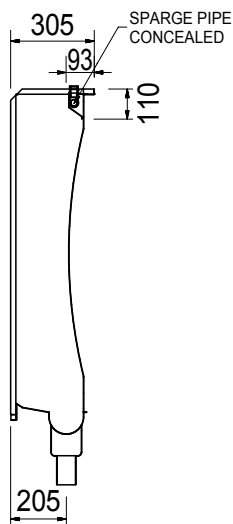
Franke Model CB101 or CB102 “U” Shaped curve back urinal length (... x ... x ...) (please specify) manufactured from Grade 304 (18/10) Stainless Steel. Unit will be supplied with two welded corners an easy assembly joints with sealing strip (as recommended).

### Welded Corner:

All the right angled corners on “L” and “U” shaped urinals will be manufactured with welded joints to ensure the fall in the trough is maintained and the drainage to the outlet is accurate.

### Easy Assembly Joint:

For ease of installation and transportation on lengths over 3000mm and for “L” and “U” shaped urinals. Urinals are manufactured in two sections and bolted together on site with an easy assembly joint. This joint will be sealed with a neoprene rubber sealing strip supplied with the urinal.

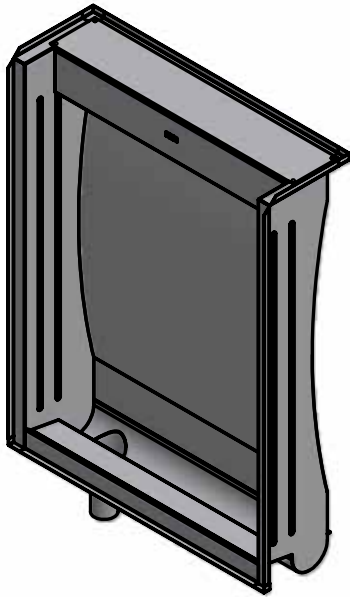


CB101 (1 Inlet / Centre Outlet)	610mm	<b>2540003</b>
CB101 (1 Inlet / Centre Outlet)	915mm	<b>2540005</b>
CB101 (1 Inlet / Centre Outlet)	1220mm	<b>2540007</b>
CB101 (1 Inlet / Centre Outlet)	1525mm	<b>2540009</b>
CB101 (1 Inlet / Right Hand Outlet)	1830mm	<b>2540011-001</b>
CB101 (1 Inlet / Left Hand Outlet)	1830mm	<b>2540011-002</b>
CB101 (1 Inlet / Centre Outlet)	1830mm	<b>2540011</b>
CB101 (2 Inlet / Left Hand Outlet)	2135mm	<b>2540013-001</b>
CB101 (2 Inlet / Right Hand Outlet)	2135mm	<b>2540013-002</b>
CB101 (2 Inlet / Centre Outlet)	2135mm	<b>2540013</b>
CB101 (2 Inlet / Right Hand Outlet)	2440mm	<b>2540028-001</b>
CB101 (2 Inlet / Left Hand Outlet)	2440mm	<b>2540028-002</b>
CB101 (2 Inlet / Centre Outlet)	2440mm	<b>2540028</b>

\* Non Standard sizes available on request

Fittings not included

IMAGE	TYPE / MODEL	DIMENSIONS (L X D X H) mm	PRODUCT CODE
-------	--------------	---------------------------	--------------



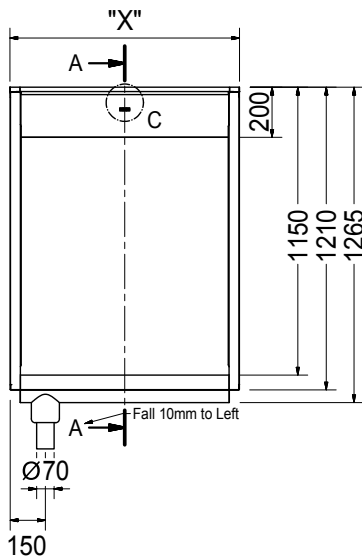
CB102

## Urinals: CB102: Autoflush

Franke Model CB102 (automatic flushing) curved back urinal length...mm (please specify). Unit to be manufactured from Grade 304 (18/10) Stainless Steel. Urinal to be supplied with built-in tipping tank and a 12mm adjustable drip cock (inlet) which controls the automatic flushing of the urinal at regular intervals. Outlet to be situated on the left, or right, or centre (please specify) of the urinal with a 102mm removable domical grating and to include a built in threaded plate. The urinal to be supplied with a tiling key to the sides and rear walls. The back to be fully sound deadened with vermin proof bitumastic material.

- Manufactured from 304(18/10) Stainless Steel
- Back of urinal fully sound deadened
- Sides and top complete with tiling key.
- Built-in tipping tank
- 12mm adjustable drip cock (inlet)
- Supplied with a 70mm outlet
- Recessed Stainless Steel domical grating
- Free standing ends where end plate is exposed
- Sloped drip ledge for hygiene
- Standards lengths of 610 - 2440mm

### Non Standard Wall & Floor Urinals (Available on request)



### "L" Shaped Urinal:

Franke Model CB101 or CB102 "L" Shaped curve back urinal length (... x...) (please specify) manufactured from Grade 304 (18/10) Stainless Steel. Unit will be supplied with one welded corner an easy assembly joint with sealing strip (as recommended).

### "U" Shaped Urinal:

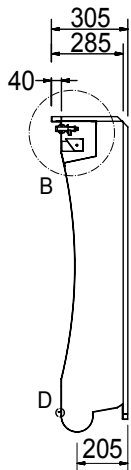
Franke Model CB101 or CB102 "U" Shaped curve back urinal length (... x ... x ...) (please specify) manufactured from Grade 304 (18/10) Stainless Steel. Unit will be supplied with two welded corners an easy assembly joints with sealing strip (as recommended).

### Welded Corner:

All the right angled corners on "L" and "U" shaped urinals will be manufactured with welded joints to ensure the fall in the trough is maintained and the drainage to the outlet is accurate.

### Easy Assembly Joint:

For ease of installation and transportation on lengths over 3000mm and for "L" and "U" shaped urinals. Urinals are manufactured in two sections and bolted together on site with an easy assembly joint. This joint will be sealed with a neoprene rubber sealing strip supplied with the urinal.

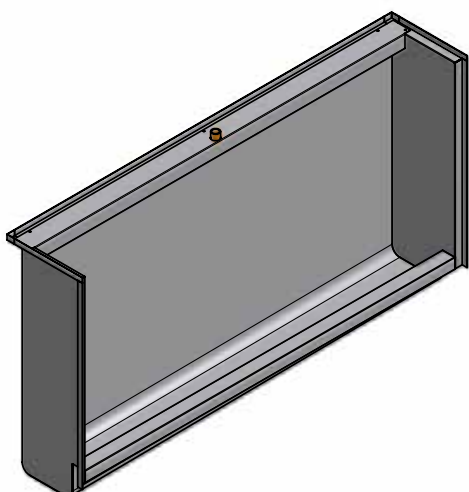


CB102 (1 Inlet / Centre Outlet)	610mm	<b>2540029</b>
CB102 (1 Inlet / Centre Outlet)	915mm	<b>2540031</b>
CB102 (1 Inlet / Centre Outlet)	1220mm	<b>2540033</b>
CB102 (1 Inlet / Centre Outlet)	1525mm	<b>2540035</b>
CB102 (1 Inlet / Right Hand Outlet)	1830mm	<b>2540037-001</b>
CB102 (1 Inlet / Left Hand Outlet)	1830mm	<b>2540037-002</b>
CB102 (1 Inlet / Centre Outlet)	1830mm	<b>2540037</b>
CB102 (1 Inlet / Left Hand Outlet)	2135mm	<b>2540039-001</b>
CB102 (1 Inlet / Right Hand Outlet)	2135mm	<b>2540039-002</b>
CB102 (1 Inlet / Centre Outlet)	2135mm	<b>2540039</b>
CB102 (1 Inlet / Right Hand Outlet)	2440mm	<b>2540041-002</b>
CB102 (1 Inlet / Left Hand Outlet)	2440mm	<b>2540041-001</b>
CB102 (1 Inlet / Centre Outlet)	2440mm	<b>2540041</b>

\* Non Standard sizes available on request  
Fittings not included

# WC Pans, Squat Pans, Urinals & Showers

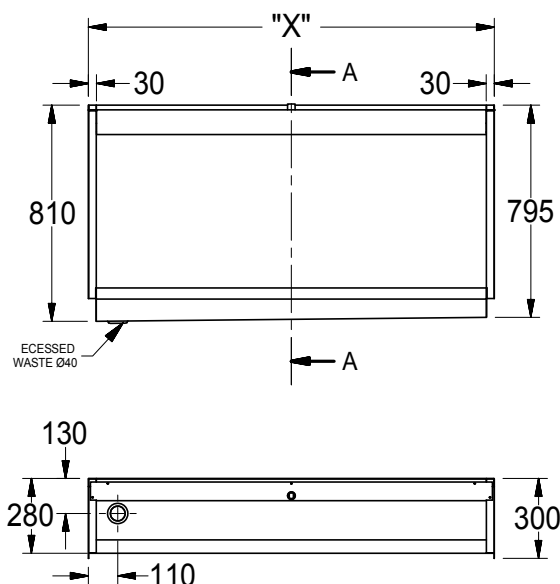
IMAGE	TYPE / MODEL	DIMENSIONS (L X D X H) mm	PRODUCT CODE
-------	--------------	---------------------------	--------------



## Trough Urinals: TU101 (Flush Valve)

Franke Model TU101 flat back wall mounted Trough Urinal, length ... mm (please specify). Unit to be manufactured from Grade 304 (18/10) Stainless Steel, 0,9mm gauge. Urinal to be supplied with a concealed sparge pipe and a 22mm inlet with chrome plated conex fitting for connecting to the high level cistern or urinal flush valve (elsewhere measured). Outlet to be situated on the left or right... (please specify) of the urinal with a recess for 40mm chrome plated waste outlet (to be supplied). Urinal to include a tiling key to sides and rear walls. The back to be fully sound deadened with vermin proof bitumastic material.

- Manufactured from Grade 304 (18/10) Stainless Steel
- Back of urinal fully sound deadened
- Sides and top complete with tiling key.
- For use with flush valve or high level cistern
- Concealed sparge pipe
- Free standing ends where end plate is exposed
- Left or right outlets (provision for 40mm waste outlet)
- Standard lengths of 610 to 1830mm



TU101 (1 Inlet / Left Hand Outlet)	610mm	<b>2540061-001</b>
TU101 (1 Inlet / Right Hand Outlet)	610mm	<b>2540061</b>
TU101 (1 Inlet / Left Hand Outlet)	915mm	<b>2540062-001</b>
TU101 (1 Inlet / Right Hand Outlet)	915mm	<b>2540062</b>
TU101 (1 Inlet / Left Hand Outlet)	1220mm	<b>2540063-001</b>
TU101 (1 Inlet / Right Hand Outlet)	1220mm	<b>2540063</b>
TU101 (1 Inlet / Left Hand Outlet)	1525mm	<b>2540064-001</b>
TU101 (1 Inlet / Right Hand Outlet)	1525mm	<b>2540064</b>
TU101 (1 Inlet / Left Hand Outlet)	1830mm	<b>2540065-001</b>
TU101 (1 Inlet / Right Hand Outlet)	1830mm	<b>2540065-001</b>

\* Non Standard sizes available on request  
Fittings not included

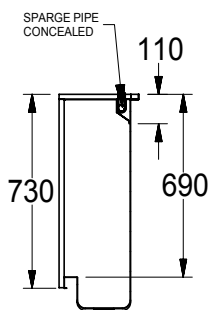
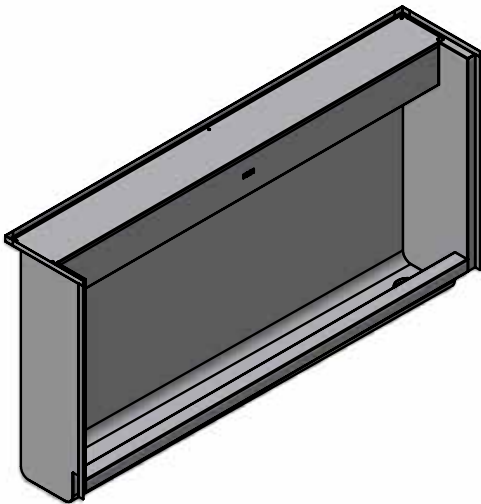




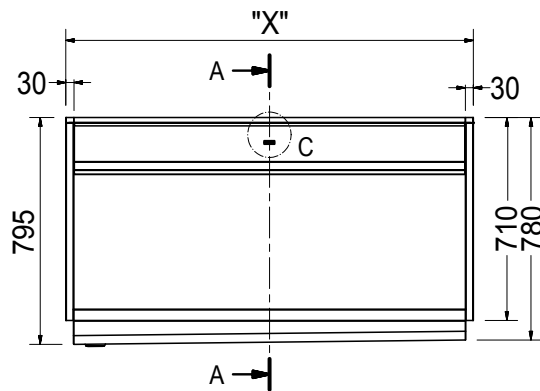
IMAGE	TYPE / MODEL	DIMENSIONS (L X D X H) mm	PRODUCT CODE
-------	--------------	---------------------------	--------------

## Trough Urinals: TU102 (Autoflush)

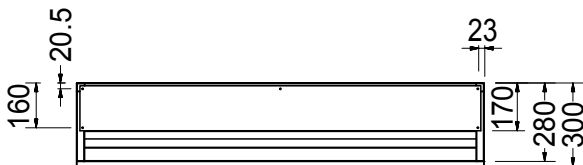


Franke Model TU102 flat back wall mounted Trough Urinal, length ... mm (please specify). Unit to be manufactured from Grade 304 (18/10) Stainless Steel, 0,9mm gauge. Urinal to be supplied with built-in tipping tank and a 12mm adjustable drip cock (inlet) which controls the automatic flushing of the urinal at regular intervals. Outlet to be situated on the left or right ...(please specify) of the urinal with a recess for a 40mm chrome plated waste outlet (to be supplied). Urinal to include a tiling key to sides and rear walls. The back to be fully sound deadened with vermin proof bitumastic material.

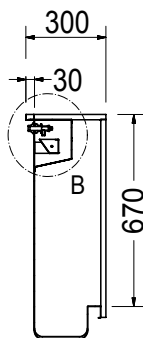
- Manufactured from Grade 304 (18/10) Stainless Steel
- Back of urinal fully sound deadened
- Sides and top complete with tiling key.
- Built-in tipping tank
- 12mm adjustable drip cock (inlet)
- Free standing ends where end plate is exposed
- Left or right outlets (provision for 40mm waste outlet)
- Standard lengths of 610 to 1830mm



TU102 (1 Inlet / Left Hand Outlet)	610mm	<b>2540066-001</b>
TU102 (1 Inlet / Right Hand Outlet)	610mm	<b>2540066</b>
TU102 (1 Inlet / Left Hand Outlet)	915mm	<b>2540067-001</b>
TU102 (1 Inlet / Right Hand Outlet)	915mm	<b>2540067</b>
TU102 (1 Inlet / Left Hand Outlet)	1220mm	<b>2540068-001</b>
TU102 (1 Inlet / Right Hand Outlet)	1220mm	<b>2540068</b>
TU102 (1 Inlet / Left Hand Outlet)	1525mm	<b>2540069-001</b>
TU102 (1 Inlet / Right Hand Outlet)	1525mm	<b>2540069</b>
TU102 (1 Inlet / Left Hand Outlet)	1830mm	<b>2540070-001</b>
TU102 (1 Inlet / Right Hand Outlet)	1830mm	<b>2540070</b>



\* Non Standard sizes available on request  
Fittings not included



# Wash Hand Basins





Public ablutions are subjected to heavy usage and vandalism and yet, they have to look aesthetically pleasing at all times. Franke offer a wide range of basins to suit different applications that range from upmarket shopping centres, to heavy duty industrial applications.

Various Designs for Different Applications:

- Inset or undermount models
- Standard wall mounted
- Single or extended versions (ranges of basins)
- Heavy duty

# Wash Hand Basins

IMAGE	TYPE / MODEL	DIMENSIONS (L X D X H) mm	PRODUCT CODE
-------	--------------	---------------------------	--------------



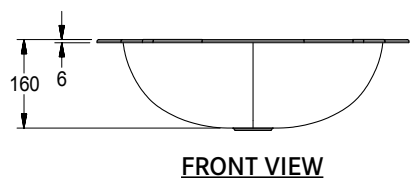
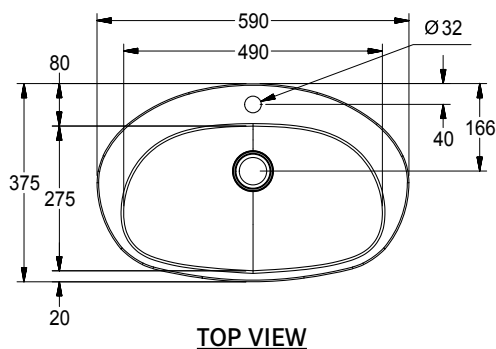
## Oval V - Inset Vanity Basins

Franke Model Oval V inset vanity basin , 590x375x160mm. Unit to be manufactured from a high grade austenitic Stainless Steel, 0,8mm gauge. Bowl size 490x275x160mm deep with 40mm waste outlet and overflow hole, tap ledge including a 32mm tap hole. The underside of the basin to include Stainless Steel lugs for mounting the unit to the worktop.

- Basin one pieced pressed
- Hygienic and vandal resistant
- High grade austenitic Stainless Steel

Oval A	590x375x160	<b>2520030</b>
--------	-------------	----------------

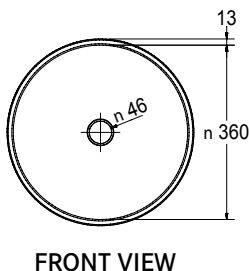
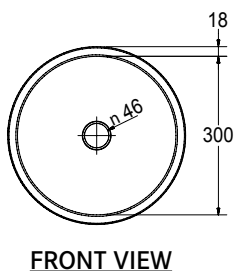
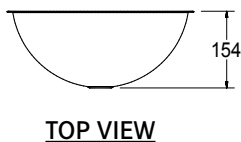
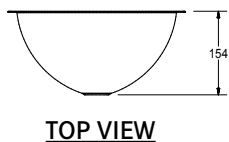
\* TAP & WASTE FITTING NOT INCLUDED



## Rondo 300 & 360 - Inset / Undermount Vanity Basins

Franke Model... (please specify) inset vanity basin. Unit to be manufactured from Grade 304 (18/10) Stainless Steel. Bowl size 300mm diameter x 154mm deep with 18mm flange or... 360mm diameter x 158mm deep with 12.5mm flange. Both with 40mm waste outlet and overflow hole. Basin to be fitted as an inset or undermount (please specify).

- Grade 304 (18/10) polished Stainless Steel
- Basin one pieced pressed
- Hygienic and vandal resistant
- Inset or undermount
- The basin is designed for surface or under mounting installations



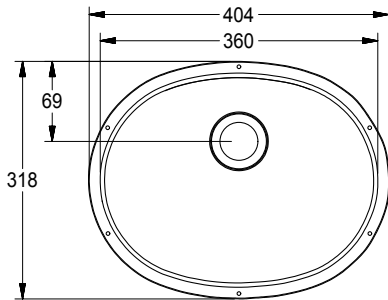
**RONDO 300**

**RONDO 360**

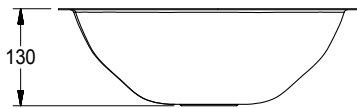
RONDO300 with 40mm waste	300mm ø	<b>2520060</b>
RONDO360 with 40mm waste	360mm ø	<b>2520007</b>

\* TAP & WASTE FITTING NOT INCLUDED

IMAGE	TYPE / MODEL	DIMENSIONS (L X D X H) mm	PRODUCT CODE
-------	--------------	---------------------------	--------------



**TOP VIEW**



**FRONT VIEW**

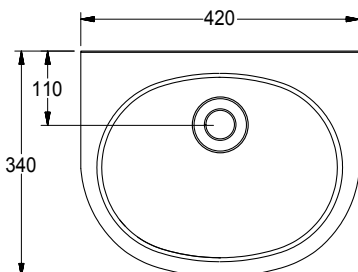
## Undermount Hand Wash Basin

Franke Undermount Wash Hand Basin, 404x318x130mm. Unit to be manufactured from Grade 304 (18/10) Stainless Steel, 1,2mm gauge. Bowl size 360x280x130mm deep with a 22mm flanges all round and 40mm waste outlet.

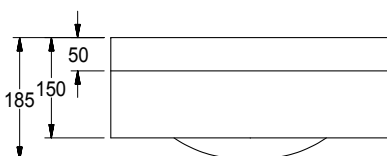
- Grade 304 (18/10) polished Stainless Steel, 1,2mm gauge
- Basin one piece pressed
- Hygienic and vandal resistant
- The basin is designed for under mounting installations

Undermount Hand Wash Basin	404x318x130	<b>2520005</b>
----------------------------	-------------	----------------

\* TAP & WASTE FITTING NOT INCLUDED



**TOP VIEW**



**FRONT VIEW**

## Oval A - Wall Mounted Wash Hand Basin

Franke Model Oval A Wash Hand Basins, 420x340x185mm deep. Unit to be manufactured from Grade 304 (18/10) Stainless Steel, 1,2mm gauge. Unit to include a one piece pressed bowl, 360x280x130mm deep with a 40mm waste outlet, with a 50mm splashback and 100mm radiused apron. Basin to be fixed to the wall with 4 x 6mm anchor bolts (bolts elsewhere measured).

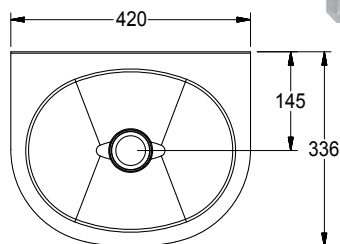
- Grade 304 (18/10) polished Stainless Steel, 1,2mm gauge
- Compact design suitable for wall mounting
- Basin with pressed bowl
- No brackets required, basin supplied with mounting plates
- Hygienic and vandal resistant

Oval A Wall Mounted Wash Hand Basin	420x340x185	<b>2520029</b>
-------------------------------------	-------------	----------------

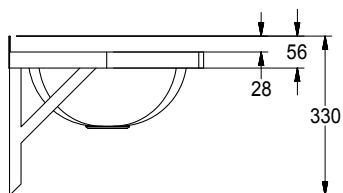
\* TAP & WASTE FITTING NOT INCLUDED

# Wash Hand Basins

IMAGE	TYPE / MODEL	DIMENSIONS (L X D X H) mm	PRODUCT CODE
-------	--------------	---------------------------	--------------



**TOP VIEW**



**FRONT VIEW**

## Oval B - Wall Mounted Wash Hand Basin

Franke Model Oval B Wash Hand Basins, 420x336x168mm deep. Unit to be manufactured from Grade 304 (18/10) Stainless Steel, 1,2mm gauge. Unit to include a one piece pressed bowl, 360x280x130mm deep with a 40mm waste outlet, with a 30mm splash back and 30mm radiused apron. Basin to be supplied with 20x20mm square mild steel (galvanised brackets) or Stainless Steel gallowes brackets (optional, please specify). Basin to be fixed to the wall with 4 x 6mm anchor bolts (bolts elsewhere measured).

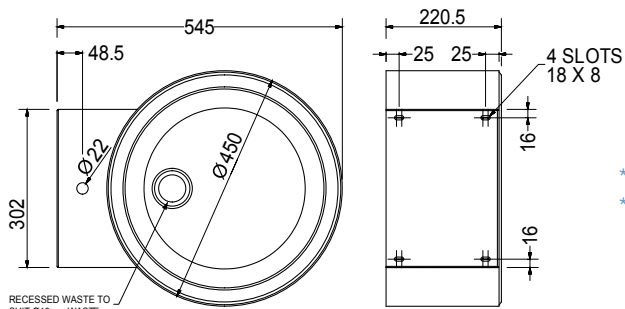
- Grade 304 (18/10) polished Stainless Steel, 1,2mm gauge
- Compact design suitable for wall surface mounting
- Basin with pressed bowl
- Hygienic and vandal resistant

### Optional Extras: (Please Specify)

- One or two tap holes punched
- Brackets in Stainless Steel or mild steel galvanised

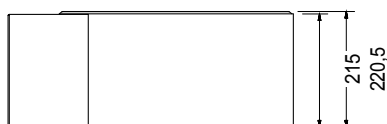
Oval B - Basin only	420x336x168	<b>2520028</b>
Oval B - Basin with mild steel galvanised brackets	420x336x330	<b>2520026</b>
Oval B - Basin with stainless steel brackets	420x336x330	<b>2520027</b>

- \* TAP & WASTE FITTING NOT INCLUDED
- \* TAP HOLES TO BE SPECIFIED



**TOP VIEW**

**SIDE VIEW**



**FRONT VIEW**

## Rondo WM Wall Mounted Wash Hand Basin

Franke Model Rondo WM Wall Mounted Wash Hand Basin 450 x 545 x 220 mm. Manufactured from Grade 304 (18/10) Stainless Steel. 1,2mm gauge back plate and surround. Pressed Bowl size 380 diameter x 160 mm deep with a 40 mm waste outlet. The basin is secured to the wall using 4 x 8mm anchor bolts (elsewhere measured)

The rounded feature is unique and ideally suited for public ablutions where sharp corners should be avoided.

- Grade 304 (18/10) polished Stainless Steel
- Heavy duty construction external surfaces of 1.2mm gauge
- Basin with pressed bowl
- Hygienic and vandal resistant

Rondo Wash Hand Basin	545x450x220.5	<b>2520024</b>
-----------------------	---------------	----------------

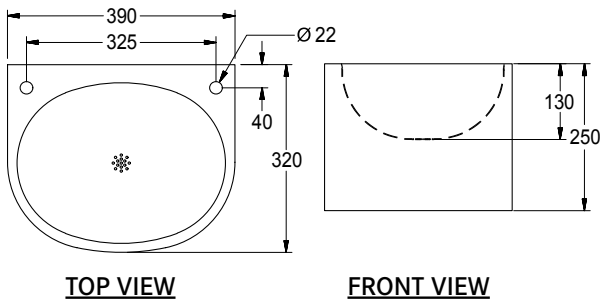
- \* TAP & WASTE FITTING NOT INCLUDED
- \* TAP HOLES TO BE SPECIFIED

IMAGE	TYPE / MODEL	DIMENSIONS (L X D X H) mm	PRODUCT CODE
-------	--------------	---------------------------	--------------



## FSW - Heavy Duty Surround Wall Mounted Wash Hand Basin

Franke Model... (please specify) Surround Wall Mount Basin, available without splashback (Model FSW) 390x320x250mm. Unit to be manufactured from Grade 304 (18/10) Stainless Steel, 1.2mm gauge in a satin finish. Unit to include a pressed bowl 360x320x130 mm deep with a 40mm waste outlet and a polished outer casing with a removable base plate. Basin to be supplied with two 25 x 6mm fixing brackets to secure the basin to the wall. Fixing bracket fixed to the wall with 4 x 6mm anchor bolts (bolts elsewhere measured).



- Grade 304 (18/10) polished Stainless Steel
- Heavy duty construction external surfaces of 1.2mm gauge
- Basin with pressed bowl
- Hygienic and vandal resistant
- 150mm splashback with tap holes (FSWSB Model)
- Provision for secured fixing to wall
- Concealed plumbing with removable base plate

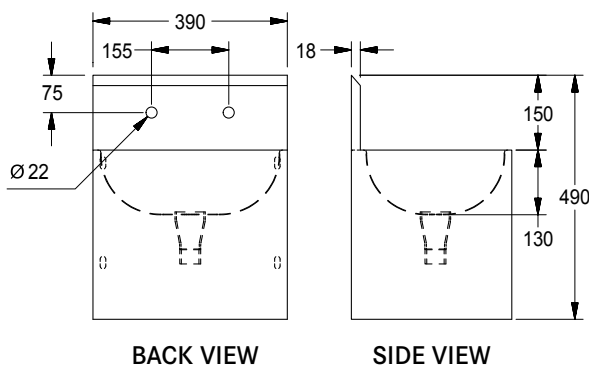
FSW - Basin only	390x322x250	<b>2560009</b>
------------------	-------------	----------------

- \* TAP & WASTE FITTING NOT INCLUDED
- \* TAP HOLES TO BE SPECIFIED



## FSWSB - Heavy Duty Surround Wall Mounted Wash Hand Basin

Franke Model... (please specify) Surround Wall Mount Basin, available with a 150mm splashback (Model FSWSB). Unit to be manufactured from Grade 304 (18/10) Stainless Steel, 1.2mm gauge in a satin finish. Unit to include a pressed bowl 360x320x130 mm deep with a 40mm waste outlet and a polished outer casing with a removable base plate. Basin to be supplied with two 25 x 6mm fixing brackets to secure the basin to the wall. Fixing bracket fixed to the wall with 4 x 6mm anchor bolts (bolts elsewhere measured).



- Grade 304 (18/10) polished Stainless Steel
- Heavy duty construction external surfaces of 1.2mm gauge
- Basin with pressed bowl
- Hygienic and vandal resistant
- 150mm splashback with tap holes (FSWSB Model)
- Provision for secured fixing to wall
- Concealed plumbing with removable base plate

FSWSB - Basin with splash back	390x322x490	<b>2560010</b>
--------------------------------	-------------	----------------

- \* TAP & WASTE FITTING NOT INCLUDED
- \* TAP HOLES TO BE SPECIFIED

# Wash Hand Basins

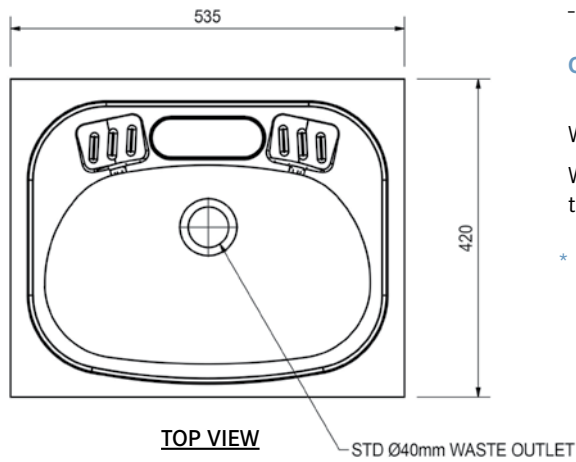
IMAGE	TYPE / MODEL	DIMENSIONS (L X D X H) mm	PRODUCT CODE
-------	--------------	---------------------------	--------------



## WB001 - Wall Mounted Wash Hand Basin

Franke Model WB001 Wash Hand Basin, 535x420x150mm deep. Unit to be manufactured from a high grade austenitic Stainless Steel, 0,8mm gauge. Basin to include a pressed bowl 410x300x140mm deep with a 40mm waste outlet and 32mm apron all round. Unit to be fixed to wall with pair of galvanised mild steel Eagle Brackets (Optional - please specify).

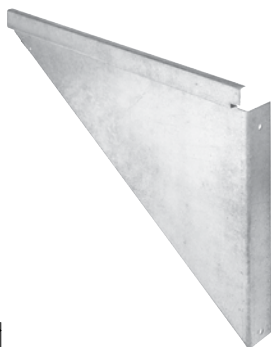
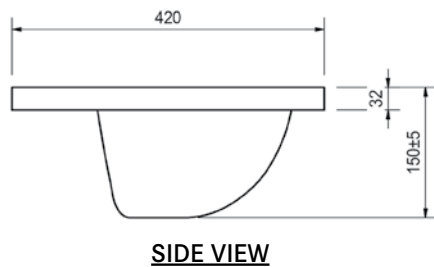
- Basin one pieced pressed
- Hygienic and vandal resistant
- Available with optional tiling key
- High grade austenitic Stainless Steel
- Semi-pierced tap holes and soap recessors



### Optional Tiling Key (please specify)

WB001 - Basin only	535x420x150	<b>2520004</b>
WB001 - Basin with tiling key	535x420x150	<b>2520003</b>

\* TAP & WASTE FITTING NOT INCLUDED



## Eagle Brackets

Franke Model Eagle Brackets 408x319mm to be manufactured from galvanised mild steel with two 6mm holes to secure the unit to the wall. (Bolts elsewhere measured).

Eagle Brackets	408x285	<b>2120008</b>
----------------	---------	----------------

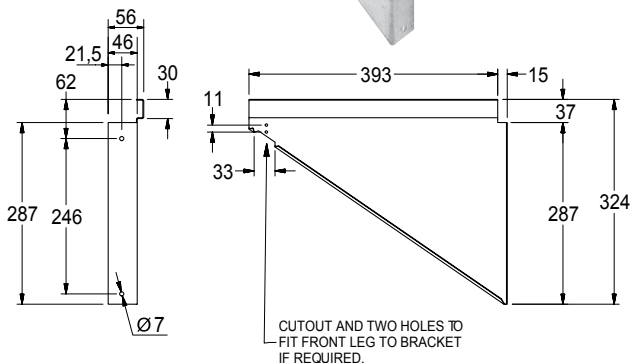


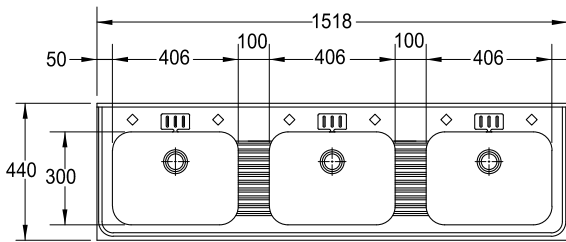


IMAGE	TYPE / MODEL	DIMENSIONS (L X D X H) mm	PRODUCT CODE
-------	--------------	---------------------------	--------------

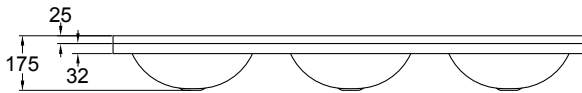


## WB Range - Wall Mounted Wash Hand Basins

Franke Model WB... (please specify) range of wash hand basins. Unit to be manufactured in Grade 304 (18/10) Stainless Steel, 0,9mm gauge with 25mm splashback and tiling key. Unit to include pressed bowls, 406x300x140mm deep with a 40mm waste outlets. Basin to be supplied with gallows brackets **OR** gallows brackets and front legs with adjustable foot piece (optional, please specify). Brackets to be fixed to the wall with anchor bolts (bolts elsewhere measured)



**TOP VIEW**



**FRONT VIEW**

- Grade 304 (18/10) Stainless Steel
- Hygienic and vandal resistant
- With or without splashback and tiling key
- Basin with pressed bowls
- Semi-pierced tap holes and soap recesses

WB002 - 2 Bowl Basin	1012x430x140	<b>2520032</b>
WB003 - 3 Bowl Basin	1517x430x140	<b>2520033</b>
WB004 - 4 Bowl Basin	2024x430x140	<b>2520034</b>
WB005 - 5 Bowl Basin	2530x430x140	<b>2520035</b>

\* TAPS & WASTE FITTINGS NOT INCLUDED

## Fixing Option for WB Range

### Gallows Brackets - Galvanised Mild steel

Gallows brackets to be manufactured from electro-galvanised 25mm square mild steel tubing

### Gallows Brackets - Stainless Steel

Gallows brackets to be manufactured from 25mm square Stainless Steel tubing

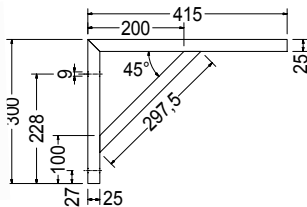
### Gallows Brackets and Front Legs - Galvanised Mild steel

Gallows brackets and front legs to be manufactured from electro-galvanised 25mm square mild steel tubing

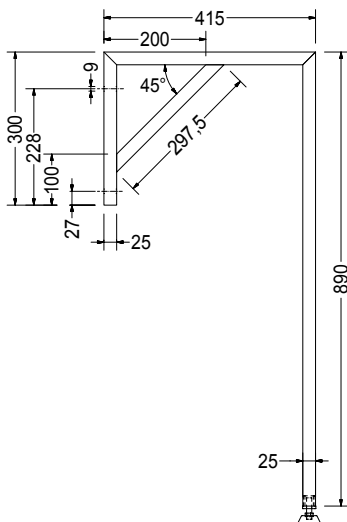
### Gallows Brackets and Front Legs - Stainless Steel

Gallows brackets and front legs to be manufactured from 25mm square Stainless Steel tubing

Gallows Brackets - Galvanised Mild Steel	525x300	<b>2120013</b>
Gallows Brackets - Stainless Steel	525x300	<b>2120010</b>
Gallows Brackets & Front Legs - Galvanised Mild Steel	525x890	<b>2120012</b>
Gallows Brackets & Front Legs - Stainless Steel	525x890	<b>2120011</b>



**GALLOWS BRACKET**



**GALLOWS BRACKET WITH LEGS**

# Wash Hand Basins

IMAGE	TYPE / MODEL	DIMENSIONS (L X D X H) mm	PRODUCT CODE
-------	--------------	---------------------------	--------------

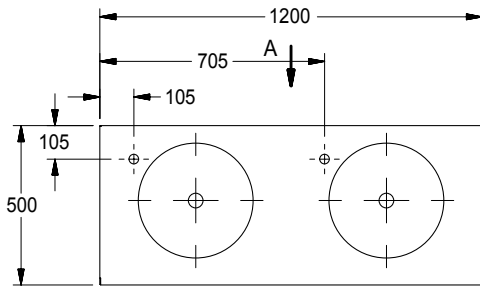


## Chronos - Wall Mounted Wash Hand Basins

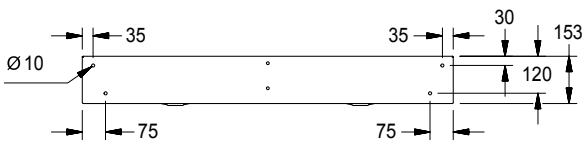
### Designed for Shopping Centres, Filling Stations and Public Ablutions

Franke Model CHR...(please specify) Chronos Ranges of wash Hand Basin. Unit to be manufactured from Grade 304 (18/10) Stainless Steel, 1,6mm gauge (top) and bowls 1,2mm gauge. Size 360mm diameter x 150mm deep with 40mm waste outlets. Unit to include a radius to the front and 100mm apron all round to conceal the bowl and the plumbing. Unit to be fixed to wall using rawl bolts with 3mm Stainless Steel bracket for reinforcement. (Bolts elsewhere measured)

- Grade 304 (18/10) Stainless Steel
- Pressed Bowls
- 3mm mounting bracket for reinforcement.
- Upmarket design
- Satin finish with polished bowls
- Vandal proof and low maintenance



**TOP VIEW**



**FRONT VIEW**

CHR02 range of two	1200x500x150	<b>2520012</b>
CHR03 range of three	1800x491x150	<b>2520020</b>
CHR04 range of four	2400x491x150	<b>2520019</b>

\* TAPS & WASTE FITTINGS NOT INCLUDED

IMAGE	TYPE / MODEL	DIMENSIONS (L X D X H) mm	PRODUCT CODE
-------	--------------	---------------------------	--------------

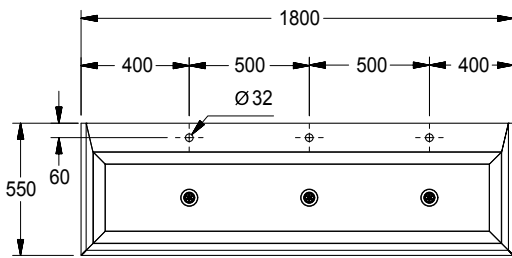


## Flat Bed - Wall Mounted Wash Hand Basins

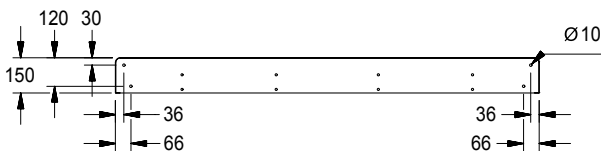
### Designed for Shopping Centres, Filling Stations and Public Ablutions

Franke Model FB...(please specify) Flat Bed Wash Hand Basin. Unit to be manufactured from Grade 304 (18/10) Stainless Steel, 1,6mm gauge. Unit to include a 50mm deep trough like basin with 40mm waste outlets and 150mm apron all round. Basin to include outlets and tap holes evenly spaced and to be fixed to the wall with 3mm Stainless Steel bracket for reinforcement. (Bolts elsewhere measured).

- Grade 304 (18/10) Stainless Steel, 1,6mm gauge
- Shallow trough basin 50mm
- 3mm mounting brackets for reinforcement.
- With 150mm apron all round



TOP VIEW



FRONT VIEW

FB18	1800x550x150	<b>2520013</b>
FB24	2400x550x150	<b>2520031</b>

\* TAPS & WASTE FITTINGS NOT INCLUDED

### GALLOWES BRACKET & FRONT LEG

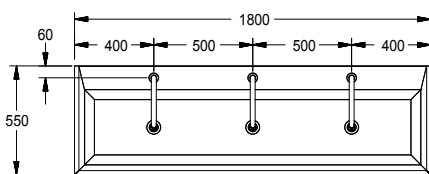


## Custom Made Slab Sink with knee operated valves - Wall & Floor Mounted Wash Hand Basins

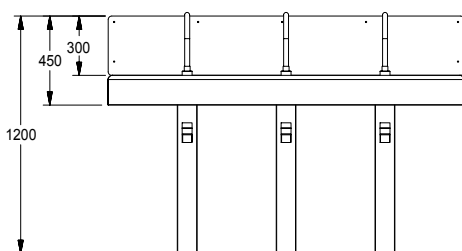
### Designed for the Food Preparation and Manufacturing Industry Application, where hygiene is of the utmost importance.

Franke Model SS...(please specify) Slab Sink. Unit to be manufactured from Grade 304 (18/10) Stainless Steel, 1,6mm thick, with a 300mm splash back. Sink includes a 50mm deep trough like basin with 40mm waste outlets, outlets and a hole for the pillar spout evenly spaced. Unit to be supplied with pedestals and knee operated pedals. Spout and valves optional (please specify), plumbing elsewhere measured. Unit to be fixed to the wall with 3mm Stainless Steel bracket for reinforcement. (Bolts elsewhere measured).

- Grade 304 (18/10) Stainless Steel, 1,6mm gauge
- Shallow trough basin 50mm
- 3mm mounting brackets for reinforcement.
- With 100mm apron all round
- Complete with 300mm Splash Back
- Maximum length must not exceed 2500mm



TOP VIEW



FRONT VIEW

SS18 - 3 spout option	1800x550x50	<b>2520014</b>
SS24 - 4 spout option	2400x550x50	<b>2520018</b>

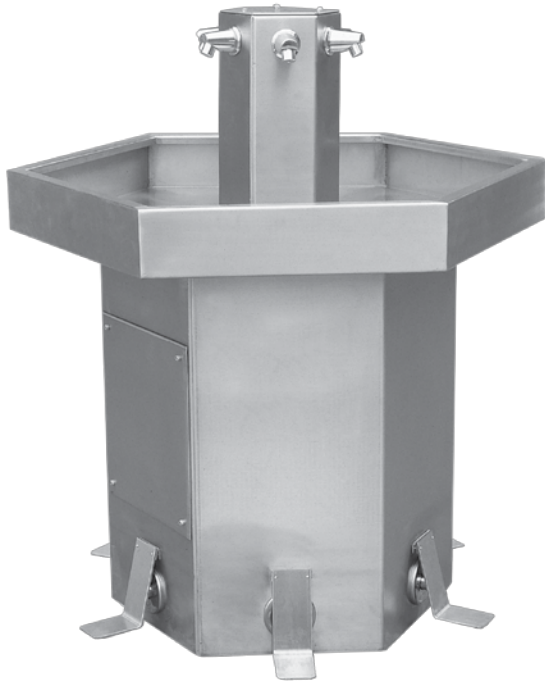
### Supplied with fittings

Slab Sink Knee operated valve Cobra KM1.00	<b>2920006</b>
Slab Sink Pillar Spout Cobra DA-006TUPT210	<b>2920007</b>

\* TAPS & WASTE FITTINGS NOT INCLUDED

# Wash Hand Basins

IMAGE	TYPE / MODEL	DIMENSIONS (L X D X H) mm	PRODUCT CODE
-------	--------------	---------------------------	--------------



## Wash Fountain & Basin - Foot or Hand Operated

### Hot & Cold water installation:

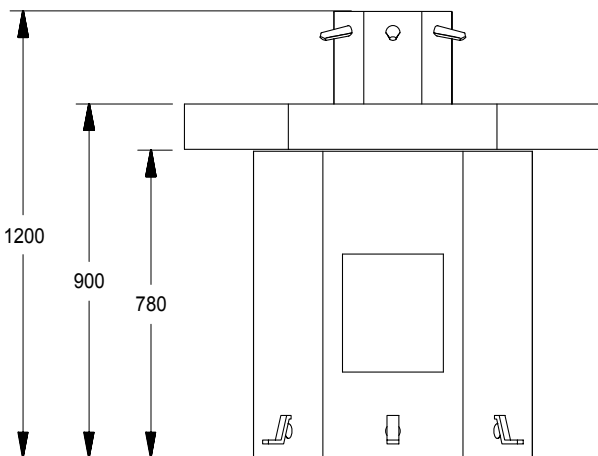
Franke Model WFF6 (foot-operated) or WFH6 (hand-operated) wash fountain and basin, 900x900x1200mm. Unit to be manufactured from Grade 304 (18/10) Stainless Steel, 1.6mm gauge. Unit to be fully plumbed up to 3/4" BSP cold water connection for a thermostatic mixing valve (thermostatic mixing valve elsewhere measured) for hot and cold water. Unit to be supplied with one 40mm C.P. on brass waste outlet connection.

### Cold water installation only:

Franke Model WFF6 (foot-operated) or WFH6 (hand-operated) wash fountain and basin, 900x900x1200mm. Unit to be manufactured from Grade 304 (18/10) Stainless Steel, 1.6mm gauge. Unit to be fully plumbed up to 3/4" BSP cold water connection. Unit to be supplied with one 38mm C.P. on brass waste outlet connection.

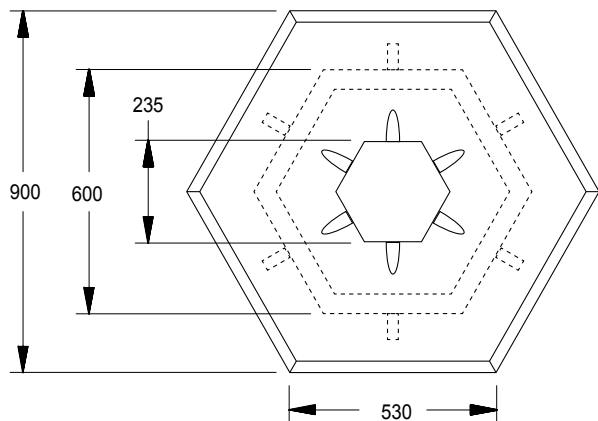
- Manufactured in Grade 304 (18/10) Stainless Steel, 1.6mm gauge
- Individually hand or foot operated metering valves
- Fully plumbed up to single point internal inlet and waste connections
- Single waste outlet only
- Can accommodate up to six people simultaneously
- Highly accessible allowing ample full arm washing
- 120mm high apron to eliminate floor spillage
- Equipped with two easy accessible inspection panels to facilitate maintenance
- Floor fixing through reinforced Stainless Steel flat bar
- Space saving

### FOOT OPERATED



WFF6 - Foot Operated	900x900x1200	<b>2610002</b>
WFH6 - Hand Operated	900x900x1200	<b>2610003</b>

**FRONT VIEW**



**TOP VIEW**







Laundries are subject to heavy usage and a comprehensive range of products are available to meet the criteria of aesthetics, functionality and application.

The range of products cover various sectors of the industry varying from residential to industrial and public facilities.

Most laundry products are externally used and exposed to the elements and sunlight. Stainless Steel is highly resistant to deterioration in these applications.

Various Designs for Different Applications

- Suitable for a variety of environments
- Selection of Washtroughs and laundry products

# Laundry Products

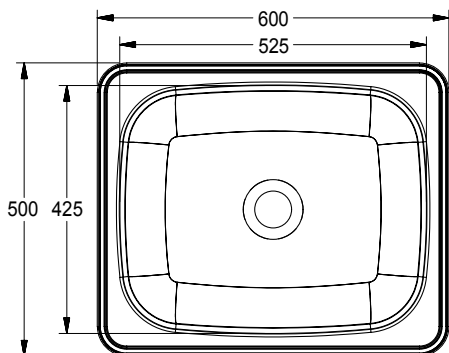
IMAGE	TYPE / MODEL	DIMENSIONS (L X D X H) mm	PRODUCT CODE
-------	--------------	---------------------------	--------------



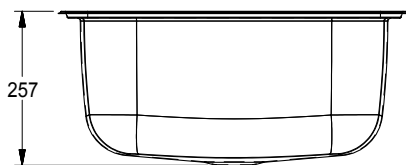
## DLT Luxtub - Inset Washtrough

Franke Model DLT Inset Washtrough 600x500x257mm. Unit to be manufactured from Grade 304 (18/10) Stainless Steel, 0,9mm gauge. Unit to include a pressed bowl 525x425x257mm deep (43 litres) with a 40mm waste outlet. Unit to be fitted into the worktop, cut out size 585x485mm (worktop elsewhere measured).

- Grade 304 (18/10) Stainless Steel, 0,9mm gauge
- Inset type for fitting to worktop
- One piece pressed bowl 43 litres



**TOP VIEW**



**FRONT VIEW**

DLT Luxtub	600x500x257	<b>2560004</b>
------------	-------------	----------------

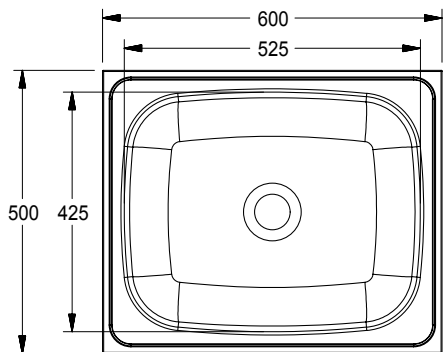
\* WASTE FITTING NOT INCLUDED



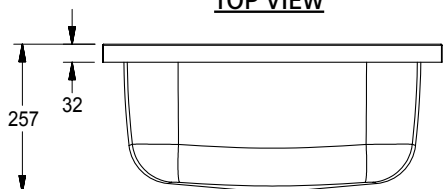
## LDL Luxtub - Wall Mounted or Drop-on Washtrough

Franke Model LDL Drop-on Washtrough 600x500x257mm. Unit to be manufactured from Grade 304 (18/10) Stainless Steel, 0,9mm gauge. Unit to include a pressed bowl 525x425x257mm deep (43 litres) with a 40mm waste outlet. Unit to be fixed to the wall with a pair of galvanised mild steel Falcon Brackets (brackets optional, please specify).

- Grade 304 (18/10) Stainless Steel, 0,9mm gauge
- Trough wall mounted or drop on type
- One piece pressed bowl 43 litres



**TOP VIEW**



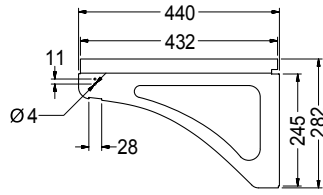
**FRONT VIEW**

LDL Luxtub	600x500x257	<b>2560001</b>
------------	-------------	----------------

\* WASTE FITTING NOT INCLUDED



IMAGE	TYPE / MODEL	DIMENSIONS (L X D X H) mm	PRODUCT CODE
-------	--------------	---------------------------	--------------



## Falcon Bracket for Washtroughs

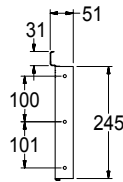
Falcon Brackets (Patent No.95/4163)

Wall fixing brackets 440x280 to be manufactured from galvanised mild steel.

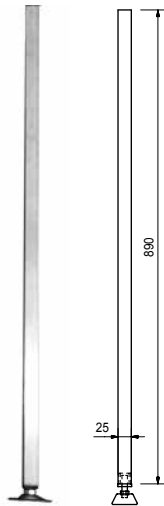
### Optional:

Bolt on leg to be manufactured from electro polished 25mm square mild steel tubing with an adjustable foot and floor fixing flange.

Suitable for LDL Washtrough only



FALCON BRACKET



OPTIONAL FRONT LEG

Falcon Bracket	440x280	<b>2120007</b>
Bolt on Legs	890x25	<b>2120003</b>



## SIRX342 - Inset or Wall Mounted Washtrough

### INSET TYPE

Franke Model SIRX342 Washtrough, 500x450x240mm deep. Unit to be manufactured from Grade 304(18/10) Stainless Steel, 1,2mm gauge. Unit to be fitted into the worktop (worktop elsewhere measured).

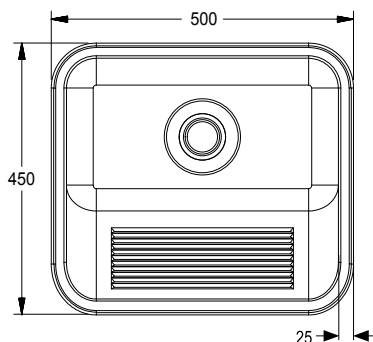
### WALL MOUNTED

Franke Model SIRX342 Washtrough, 500x450x240mm deep. Unit to be manufactured from Grade 304(18/10) Stainless Steel, 1,2mm gauge. Unit to be fixed to the wall with a pair of Stainless Steel wall fixing brackets (brackets optional, please specify).

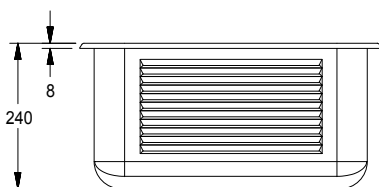
- Grade 304 (18/10) Stainless Steel, 1,2mm gauge
- Inset type for fitting to unit top or suitable for bracket fixing.
- Slanted ribbed front for scrubbing
- Pressed bowl with radiused corners

SIRX Washtrough	500x450x240	<b>2560003</b>
-----------------	-------------	----------------

\* WASTE FITTING NOT INCLUDED



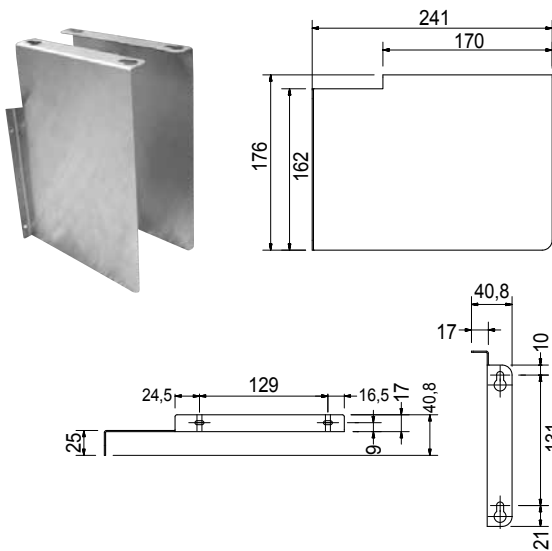
TOP VIEW



FRONT VIEW

# Wash Hand Basins

IMAGE	TYPE / MODEL	DIMENSIONS (L X D X H) mm	PRODUCT CODE
-------	--------------	---------------------------	--------------

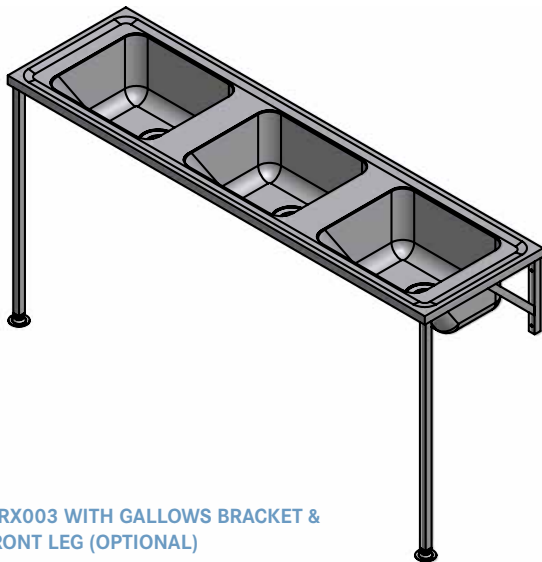


## SIRX Washtrough Wall Fixing Brackets

Wall fixing brackets to be manufactured from Grade 304 (18/10) Stainless Steel, 1,2mm thick.

SIRX Washtrough Fixing Brackets

**2120014**



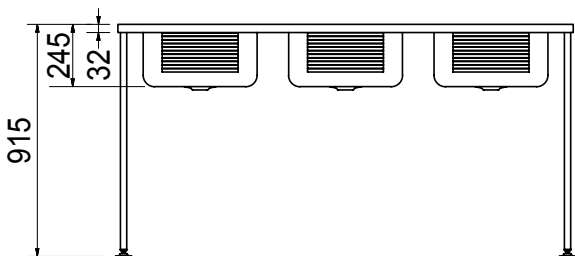
SIRX003 WITH GALLOWS BRACKET & FRONT LEG (OPTIONAL)

## SIRX Washtrough Range

Franke Model SIRX...(please specify) range of Washtroughs. Unit to be manufactured from Grade 304 (18/10) Stainless Steel, 1,2mm gauge. With pressed bowls 450x400x240mm deep (43 litres) with a 40mm waste outlet.

### Unit to be fixed as follows (please specify):

- Fixed to wall on two 25mm square mild steel galvanised or Stainless Steel gallows brackets
- Fixed to wall and floor on two 25mm square mild steel galvanised or Stainless Steel gallows brackets with front legs and adjustable foot piece height 915mm from finished floor level
- Grade 304 (18/10) Stainless Steel, 1,2mm gauge
- Suitable for bracket fixing.
- Slanted ribbed front for scrubbing
- Pressed bowl with radiused corners



SIRX002

- 2 Bowl Washtrough

1200x510x257

**2560015**

SIRX003

- 3 Bowl Washtrough

1800x510x257

**2560014**

\* WASTE FITTING, GALLOW BRACKETS & FRONT LEGS NOT INCLUDED

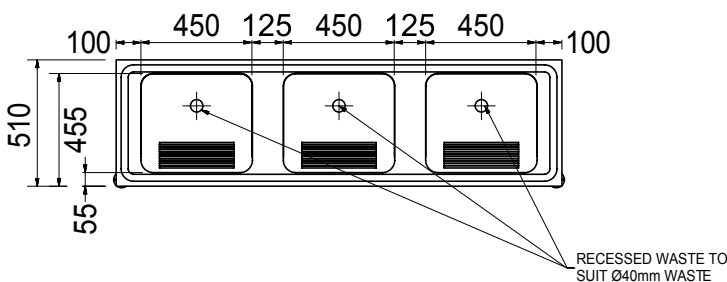
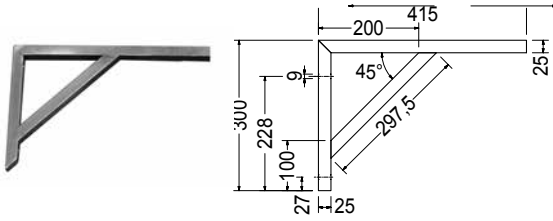


IMAGE	TYPE / MODEL	DIMENSIONS (L X D X H) mm	PRODUCT CODE
-------	--------------	---------------------------	--------------



## Fixing Option for SIRX Ranges

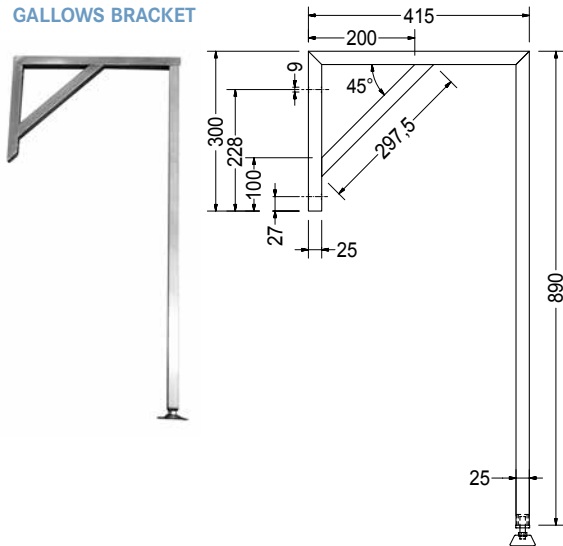
### Gallows Brackets - Galvanised Mild steel

Gallows brackets to be manufactured from electro-galvanised 25mm square mild steel tubing

### Gallows Brackets - Stainless Steel

Gallows brackets to be manufactured from 25mm square Stainless Steel tubing

## GALLOWS BRACKET



### Gallows Brackets and Front Legs - Galvanised Mild steel

Gallows brackets and front legs to be manufactured from electro-galvanised 25mm square mild steel tubing

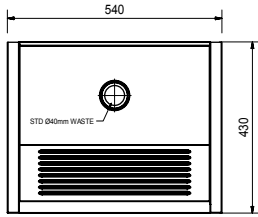
### Gallows Brackets and Front Legs - Stainless Steel

Gallows brackets and front legs to be manufactured from 25mm square Stainless Steel tubing

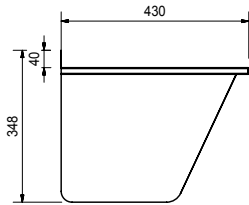
Gallows Brackets - Galvanised Mild Steel	525x300	<b>2120013</b>
Gallows Brackets - Stainless Steel	525x300	<b>2120010</b>
Gallows Brackets & Front Legs - Galvanised Mild Steel	525x890	<b>2120012</b>
Gallows Brackets & Front Legs - Stainless Steel	525x890	<b>2120011</b>

## GALLOWS BRACKET & FRONT LEG

IMAGE	TYPE / MODEL	DIMENSIONS (L X D X H) mm	PRODUCT CODE
-------	--------------	---------------------------	--------------



TOP VIEW



SIDE VIEW

## ET101 Fabricated Single Washtrough

Franke Model ET101 Single Fabricated Economy Type Washtrough, 540x430x348mm deep. Unit to be manufactured from Grade 430 (17/10) Stainless Steel, 0,8mm gauge. Unit to be manufactured with a sloped front, with wash ridges and a 40mm waste outlet. Trough to be supplied with fixing lugs to mount the trough to the wall. (Bolts elsewhere measured)

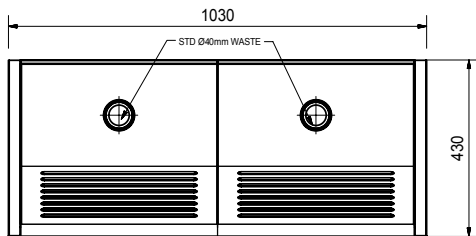
- Manufactured from Grade 430 (17/10) Stainless Steel
- Suitable for light purpose applications
- Supplied with fixing lugs for wall mounting

**\*Note: The economy type Washtroughs are not recommended for coastal, heavy duty or corrosive applications.**

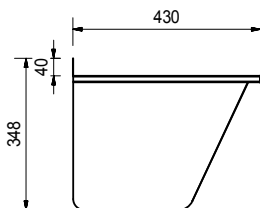
Refer to Luxtub models for these applications.

ET101 Fabricated Single Washtrough	540x430x348	<b>2560006</b>
---------------------------------------	-------------	----------------

\* WASTE FITTING NOT INCLUDED



TOP VIEW



SIDE VIEW

## ET102 Fabricated Double Washtrough

Franke Model ET102 Double Fabricated Economy Type Washtrough, 1030x430x348mm deep. Unit to be manufactured from Grade 430 (17/10) Stainless Steel, 0,8mm gauge. Unit to be manufactured with a sloped front, with wash ridges and a 40mm waste outlet. Trough to be supplied with fixing lugs to mount the trough to the wall. (Bolts elsewhere measured)

- Manufactured from Grade 430 (17/10) Stainless Steel
- Suitable for light purpose applications
- Supplied with fixing lugs for wall mounting

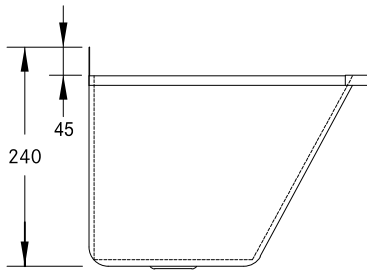
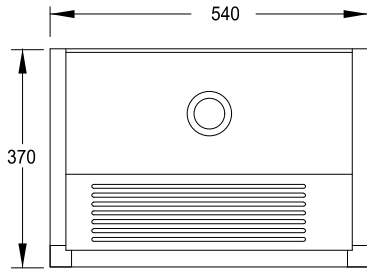
**\*Note: The economy type Washtroughs are not recommended for coastal, heavy duty or corrosive applications.**

Refer to Luxtub models for these applications.

ET102 Fabricated Double Washtrough	1030x430x348	<b>2560005</b>
---------------------------------------	--------------	----------------

\* WASTE FITTING NOT INCLUDED

IMAGE TYPE / MODEL DIMENSIONS (L X D X H) mm PRODUCT CODE



## ET103 Fabricated Mini Washtrough

Suitable for Low Cost Housing Projects

Franke Model ET103 Mini Single Fabricated Economy Type Washtrough, 540x370x240mm deep. Inner bowl dimension, 483x330mm. Unit to be manufactured from Grade 430 (17/10) Stainless Steel, 0,8mm gauge. Unit to be manufactured with a sloped front, with wash ridges and a 40mm waste outlet. Trough to be supplied with fixing lugs to mount the trough to the wall. (Bolts elsewhere measured)

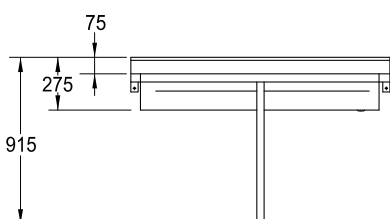
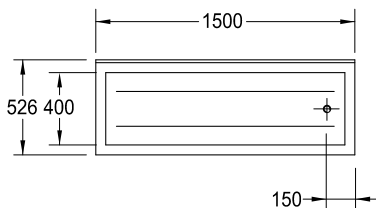
- Manufactured from Grade 430 (17/10) Stainless Steel
- Suitable for light purpose applications
- Suitable for low cost housing projects
- Supplied with fixing lugs for wall mounting

**\*Note: The economy type Washtroughs are not recommended for coastal, heavy duty or corrosive applications.**

Refer to Luxtub models for these applications.

ET 103 Fabricated Mini Washtrough	540x370x240	<b>2560007</b>
-----------------------------------	-------------	----------------

\* WASTE FITTING NOT INCLUDED



## HRT Half Round Washtrough

Designed for Public Ablutions, Schools, Abattoirs and Hostels

Franke Model HRT Half Round Washtrough, length...(please specify) x 510mm. Unit to be manufactured from Grade 304 (18/10) Stainless Steel, 1,2mm gauge. Unit to be supplied with a 75mm high splash back and tiling key to the back and both ends, with one 40mm waste outlet on left or right hand side ...(please specify). Unit to be mounted on 40x40mm galvanised mild steel square tubing framework, with 100x40x30mm galvanised mild steel flat section cleats welded to back and sides for fixing to walls. Unit to be manufactured complete with one front leg with chrome plated adjustable foot piece.

- Manufactured from Grade 304 (18/10) Stainless Steel, 1,2mm gauge
- One 40mm waste outlet minimising plumbing costs
- 75mm high splash back

**\* Please Note**

- \*\* Non Standard sizes available on request
- \*\* Maximum length not to exceed 2500mm
- \*\* Lengths >2500mm to be manufactured as separate units.

HRT - Left Hand Outlet	1500x510x275	<b>2560016</b>
HRT - Right Hand Outlet	1500x510x275	<b>2560016-001</b>
HRT - Left Hand Outlet	1800x510x275	<b>2560017</b>
HRT - Right Hand Outlet	1800x510x275	<b>2560017-001</b>

\* WASTE FITTING NOT INCLUDED



# CERTIFICATE



This is to certify that

## **Franke South Africa**

1194 South Coast Road  
Mobeni  
4060  
Durban  
South Africa

Has implemented and maintains an  
**Integrated Management System**

Scope:  
Designs, manufactures and retail stainless sinks (domestic and industrial) hospital sanitary ware, catering equipment, Zip Hydroboils and also trades in related sourced products

Through an audit, documented in a report, it was verified that the Management System fulfils the requirements of the following standard:

**ISO 9001 : 2008**  
**ISO 14001 : 2004 + Cor 1 : 2009**  
**BS OHSAS 18001 : 2007**

Certificate registration no.	283000
Valid from	2014-07-17
Valid until	2017-07-16
Date of certification	2016-08-23

**DQS GmbH**

Frank Graichen  
Managing Director



Accredited Body: DQS GmbH, August-Schanz-Straße 21, 60433 Frankfurt am Main  
Administrative Office: DQS South Africa, P.O.Box 672, Randburg 2125 - South Africa



FRANKE SOUTH AFRICA

CALL CENTRE

Tel 0861 372 653

Fax 0866 592 073

callcenter.fsa@franke.com

www.franke.co.za

DURBAN

1194 South Coast Road,  
Mobeni, Durban, 4092.

South Africa

Tel +27 31 450 6300

Fax +27 31 450 6304

GAUTENG

77 Roan Crescent,  
Sage Corporate Park North,

Old Johannesburg Road,

Midrand, 1682

South Africa

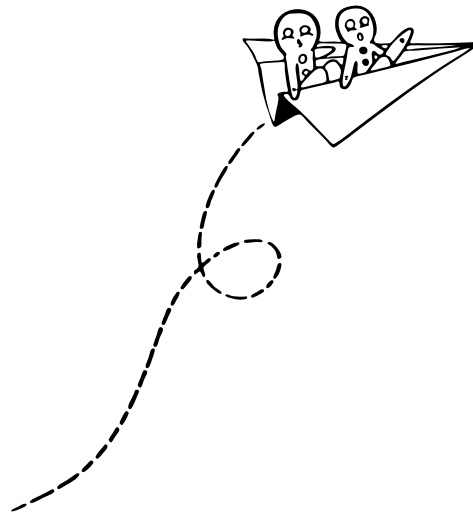
CAPE TOWN

Unit 1, 10 Gold Street,

Northgate Business Park, Northgate Estate,

Cape Town, 7405

South Africa



DISCLAIMER

The information and dates supplied in this brochure are based on the information believed to be reliable, however are not binding and inaccuracies may occur. Franke reserves the right to change Specification and design at any time without notice.

© 2016 by Franke South Africa. All rights reserved under the Copyright Act of 1987 with the amendments. Reproduction of any of the content, full or partial, is allowed only with prior written approval of Franke South Africa. No reasonable requests will be refused provided the conditions as laid out are met.



makeitwonderful.co.za



Make  
it  
Wonderful

FSA1611