

Techstyle[®]
ACOUSTICAL CEILING BY **HunterDouglas**



HunterDouglas

CEILING

Unprecedented Acoustical Performance



Cover : Ravago Plastics nv, Arendonk, Belgium
Architect: Lou Jansen
Panel : 1200 x 1200 mm Swing-down



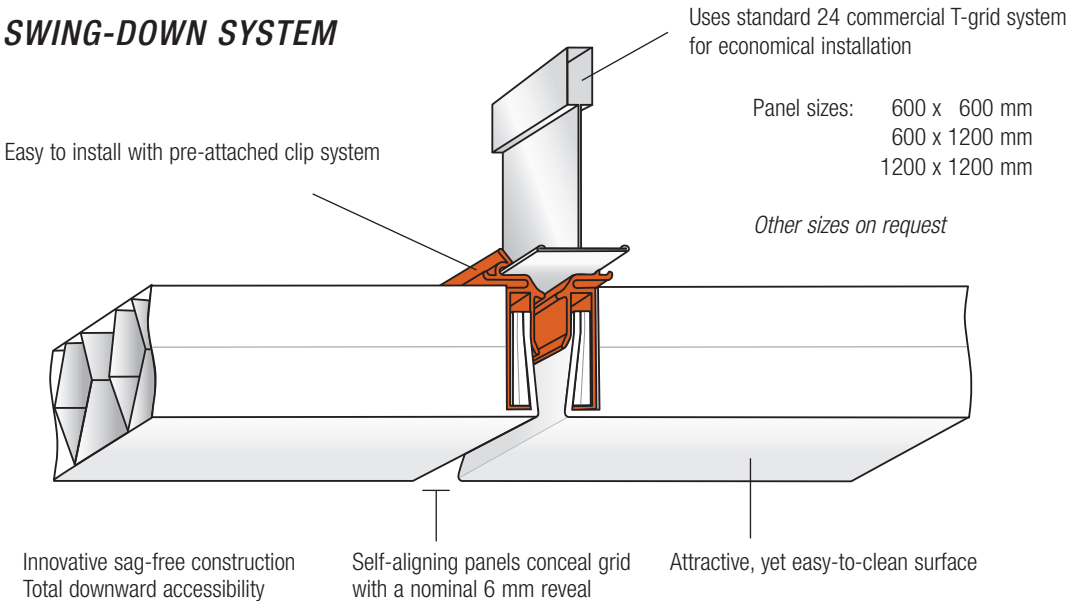
For 50 years, Hunter Douglas has worked with the architecture and design community to set new standards in product design and performance. Continuing this tradition of excellence, Techstyle® Acoustical Ceilings bring unprecedented acoustical performance, aesthetics and accessibility to the industry.

Left : Atlas Arena Sport & Entertainment hall, Lodz, Poland
Architect: ATJ
Panel : 1200 x 1200 mm Swing-down

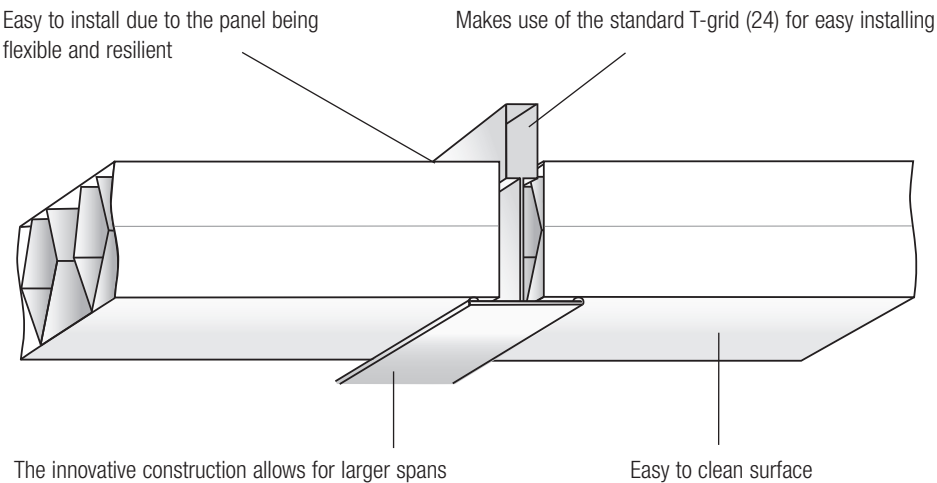
ACOUSTICS	4
SWING-DOWN SYSTEM	6
• Edge Details	8
• Design Flexibility	10
• Air	12
• Lighting	13
LAY-ON SYSTEM	14
COMFORT	18
PRODUCT SPECS	19

Two systems to meet your needs

SWING-DOWN SYSTEM



LAY-ON SYSTEM



GENTLE TEXTURED SURFACE CREATING A WARM AMBIANCE

Bridging the gap between function and form, Techstyle® panels represent a new way of looking at ceilings. The cellular construction provides exceptional acoustical performance in a variety of sizes. Panels come standard in white and offer a multitude in design possibilities.



The strong silent type

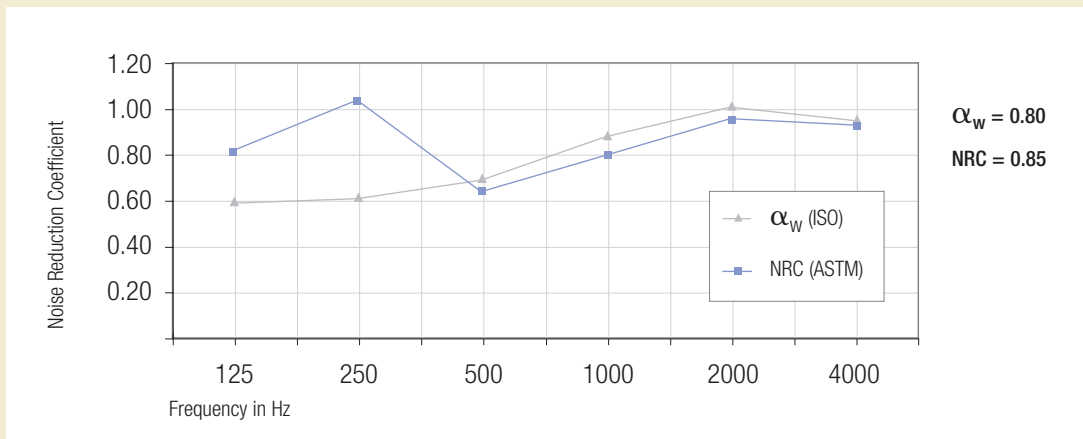
Most acoustical products perform best at higher frequencies. We believe it's important to excel throughout the entire frequency spectrum.

Techstyle® panels' honeycomb design absorbs both high and low frequencies at an impressive level, providing superior acoustical performance, no matter the frequency.

Right : Noorderdok, Almere, the Netherlands
 Architect: DP6 Architectuur Studio BV
 Panel : 1200 x 1200 mm Swing-down



SOUND ABSORPTION (α_w AND NRC)

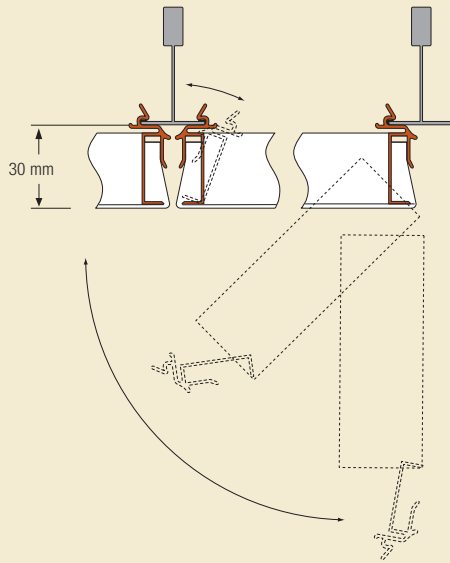


The profile of absorption over the frequencies creates a warm acoustic ambiance.

Left and below: Ravago Plastics nv, Arendonk, Belgium
 Architect: Lou Jansen
 Panel : 1200 x 1200 mm Swing-down

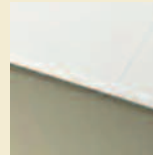
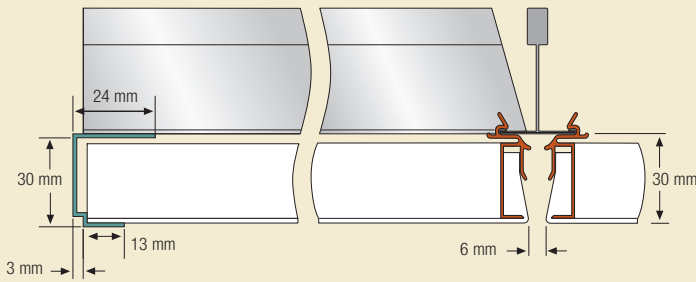


SWING-DOWN SYSTEM



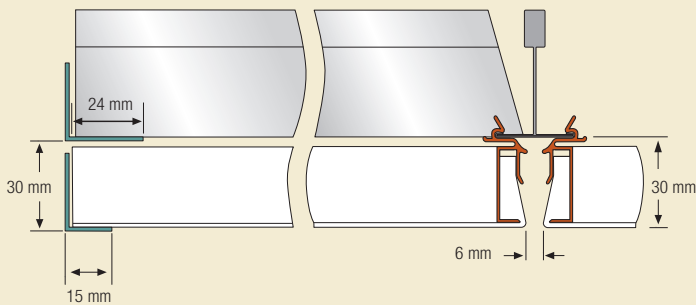
ACCESS

For access, simply apply pressure to either hinge side with the appropriate tool and the panel will swing down, allowing total access to the plenum.



PERIMETER OPTION 1

Using the Reveal Edge Wall Channel creates a 3 mm reveal from the wall to the panel. This channel may be curved to a concave or convex radius of 1200 mm.



PERIMETER OPTION 2

Two wall angles may also be used for a more traditional appearance.

Goodbye to 'lift and shift'

Techstyle® Ceilings offer the easiest access in the industry. Our integrated clip/hinge system leaves panels clean and untouched, allowing them to swing safely away during access. Press inside the reveal and the panel disengages and opens up, allowing total access to the plenum.

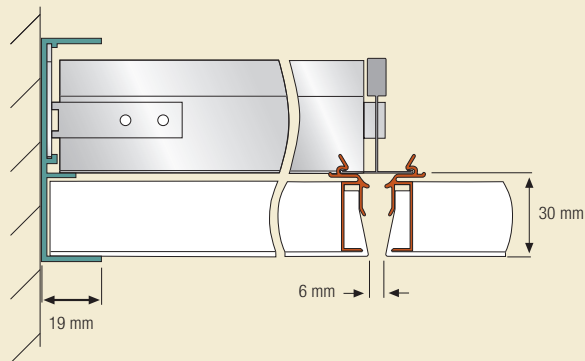
We recommend to use a secondary T-grid system, ensuring the stiffness and squareness of the ceiling grid, for the best esthetical results.

The perfect fit

Techstyle® Acoustical Ceilings self-aligning panels provide a consistently narrow 6 mm reveal, which ensures uniformity throughout a space. Panels line up as they should, creating a clean, monolithic look.

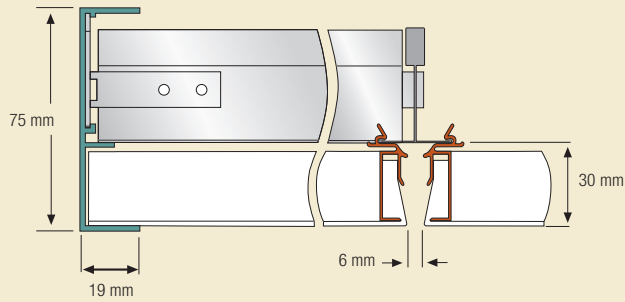
Proper ceiling alignment: It's just one more thing we worry about so you don't have to.

Above : John and Mary Pappajohn, Higher Education Center
Des Moines, USA
Architect: Herbert Lewis, Kruse Blunck Architecture
Panel : 1200 x 1200 mm Swing-down



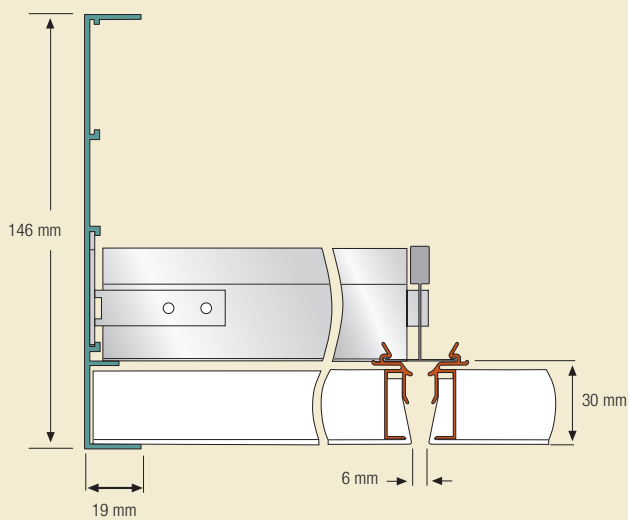
CURVED WALL

Curved wall transitional trim from drywall to suspended ceilings.



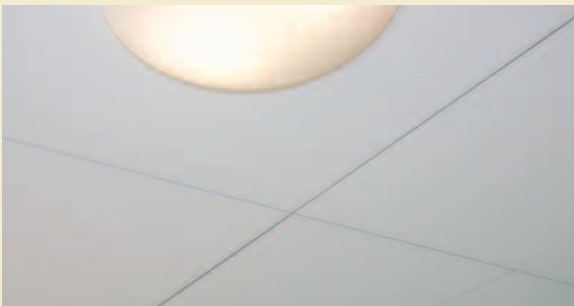
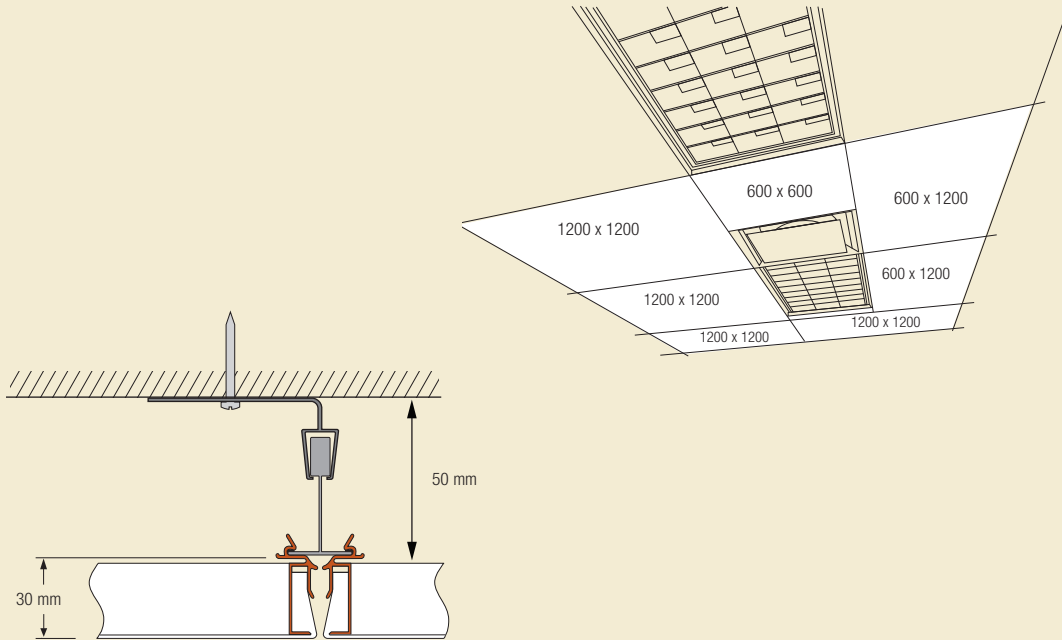
CUSTOM ISLAND 75

Trim to create a 'floating' ceiling using the Floating Perimeter Trim (shown in photo on page 8). This trim may be curved to a concave or convex radius of 1200 mm. All perimeter tiles are fixed.



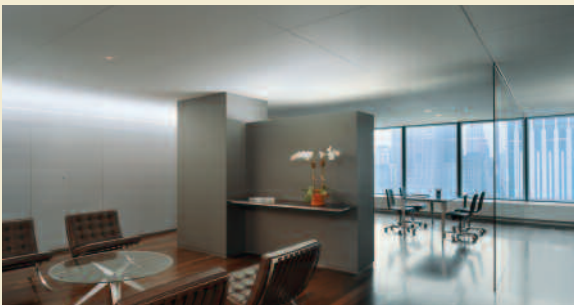
CUSTOM ISLAND 146

Trim to create a 'floating' ceiling using the Floating Perimeter Trim with panels. All perimeter tiles are fixed.



DIRECT MOUNT

Techstyle® Acoustical Ceilings may be direct or surface-mounted to a hard surface (ceiling or wall) to add acoustics to a space. The narrow reveal is maintained in one or both directions by snapping the panels into the direct-mount rail. The overall depth of the system is 78.5 mm.



PANEL SIZE

Panels come in standard sizes from 600 x 600 mm to 1200 x 1200 mm and may be combined to more precisely fit a space.



Go ahead, create

Techstyle® Ceilings bring design flexibility to the forefront with panels that come standard in sizes ranging from 600 x 600 mm to 1200 x 1200 mm. Our modular system lets you mix and match sizes to create distinct looks for a room.

Whether your project uses a T-grid or calls for a direct mount, tiles are easy to field-adjust to fit nearly any application. From islands to curves along a wall, Techstyle® Acoustical Ceilings have got you covered.

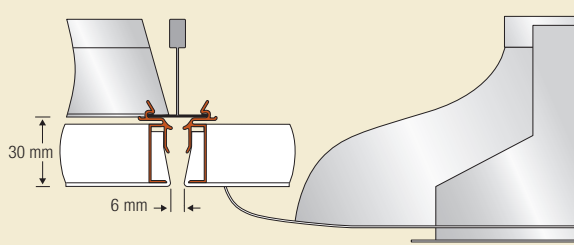
Above : Noorderdok, Almere, the Netherlands
Architect: DP6 Architectuur Studio BV
Panel : 1200 x 1200 mm Swing-down

An air of sophistication



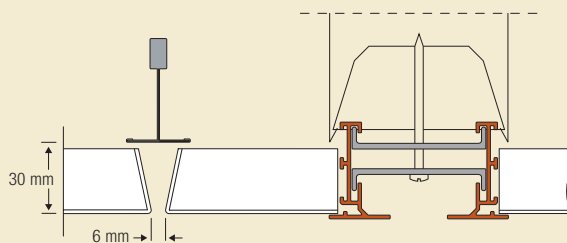
CIRCULAR DIFFUSER

A circular diffuser in the center of 1200 x 1200 mm panel.

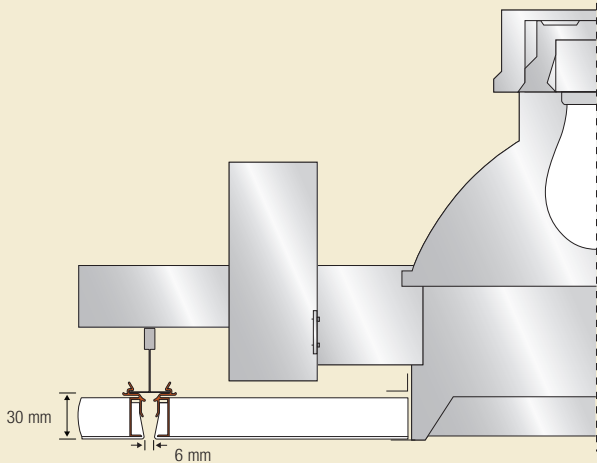


AIR BAR

As shown at right, Techstyle® Ceilings can easily accommodate air bars.

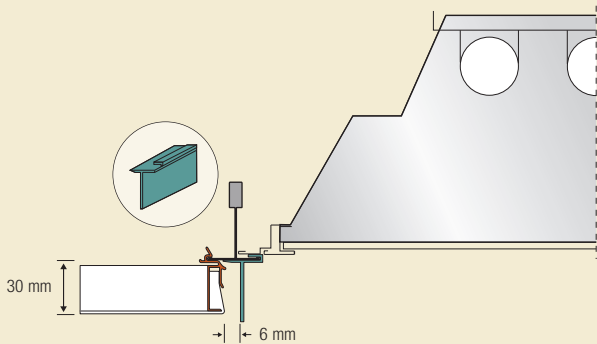


A bright idea



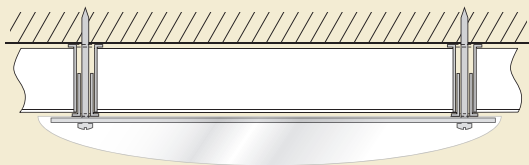
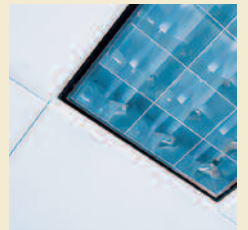
CAN LIGHTING

Common can or down lights integrate easily with Techstyle® Acoustical Ceilings.



RECESSED FLUORESCENT

The Reveal Light Trim creates a subtle reveal between the recessed fixture and the Techstyle® panel. This trim is available in modular kits to fit most common fixture sizes.



FLUSH FLUORESCENT

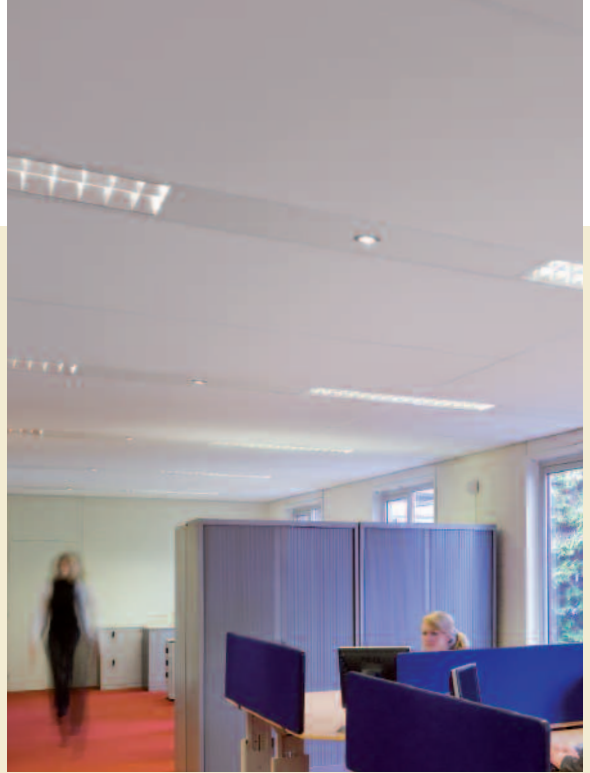
Flush fluorescent light fixtures may be suspended level with the surface of the panels.

Design opportunities

With the Techstyle® XL system, Hunter Douglas is meeting the demand for ceilings with larger panels, improved appearance and better acoustic absorption. This excellent example of contemporary ceiling architecture not only reduces noise but improves personal comfort and productivity.

By using larger panels than normal, the amount of visible suspension is reduced which improves the appearance of the ceiling and the overall feeling of space.

Right : Office, the Netherlands
Architect: S. Letterini
Panel : 1200 x 2400 mm Lay-On



Techstyle[®]
ACOUSTICAL CEILINGS BY **HunterDouglas**

Left and right: 3D presentation, the Netherlands
Architect: Make-it 3D
Panel : 1200 x 2400 mm Lay-On

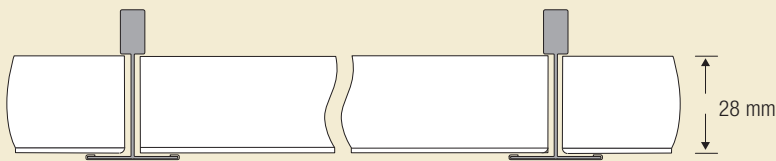


Old grid. New ceiling.



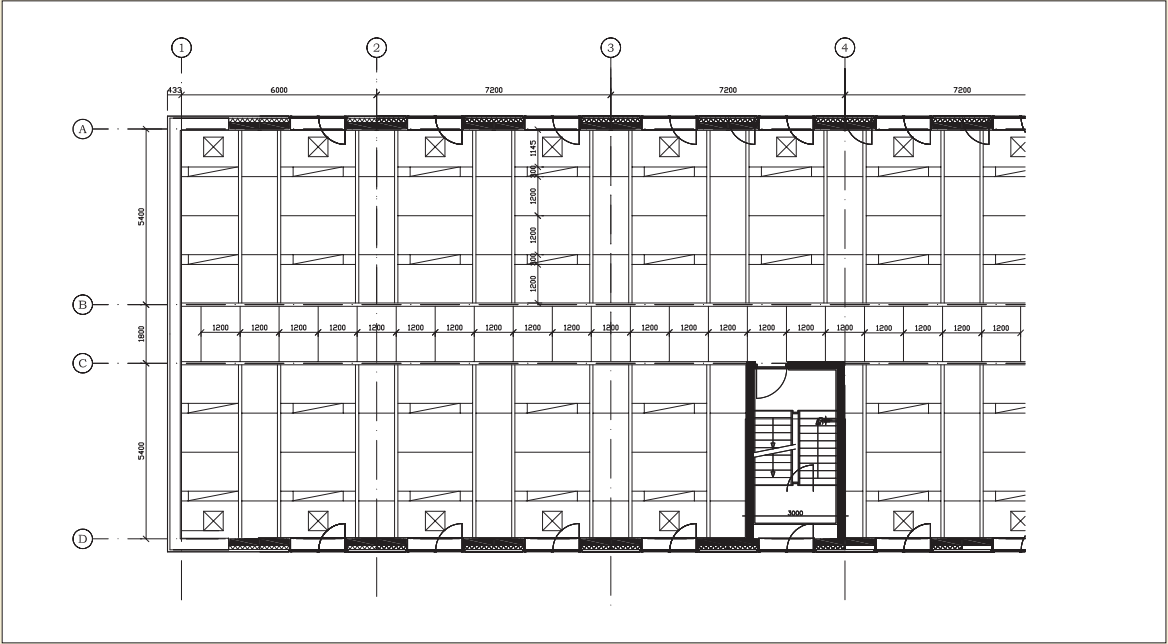
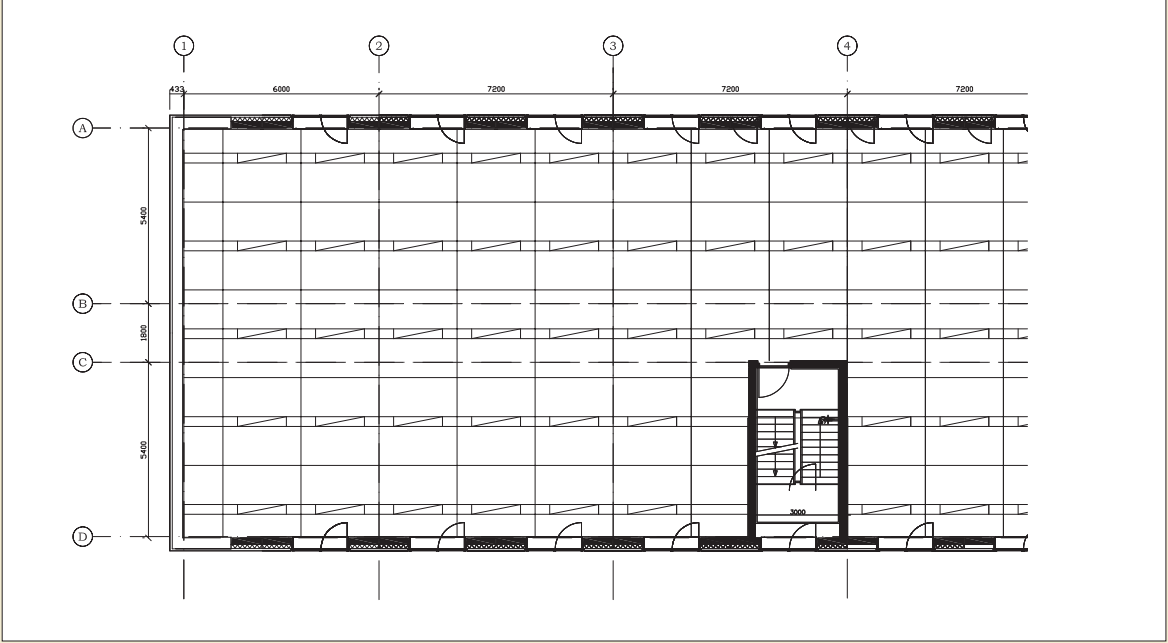
Techstyle® Lay-On tiles offer the same innovative panel as a Swing-Down for a more traditional appearance.

Lay-On tiles work with your existing grid and accommodate all standard features without sacrificing options, acoustical performance or flexibility.



Techstyle® Lay-On panels are installed on a standard butt cut 24 mm exposed T-grid system, either as a new installation or alternatively using a suitable existing grid in a refurbishment project.

The panel size lends itself to designing large, clear span areas with smaller service zones where lighting, heating and ventilation grills and services are fitted. The overall aesthetic result is one of a smooth, expansive finish with services neatly incorporated into their own space. Providing the aesthetic benefits of a monolithic plasterboard surface with the accessible benefits of a demountable ceiling. Two examples are provided below of an optimal ceiling lay-out. We will be pleased to assist you with your design if required.



Acoustic Comfort

'CONVERSATION NOISE HAD A GREATER NEGATIVE IMPACT ON PRODUCTIVITY THAN ACOUSTIC NOISE AT THE SAME LEVEL'



Choosing the right material solution is key to designing healthy and sustainable environments. Emissions from hazardous substances and material selection affect both the natural environment and human health and safety. Poor acoustic comfort can have a negative impact on workers resulting in decreased productivity.

Though productivity is not the major concern in this factory restaurant, comfort by the intelligibility of speech has been created with a Techstyle® ceiling giving a rest to the ears and the strength to go on.

PRODUCT SPECIFICATIONS

Substrate	Acoustic mat		
Colour	Off-white		
Surface finish	Mineral coating		
Panel sizes*	Thickness	28 mm	
	Sizes	SwingDown - series	Lay-On T24
		600 x 600 mm	1200 x 1200 mm
		600 x 1200 mm	1200 x 2400 mm
		1200 x 1200 mm	On Request
			600 x 2400 mm
			600 x 3600 mm
			1200 x 1800 mm
Acoustical Ratings	α_w	0.80 (ISO 11654, plenum depth 200 mm)	
	NRC	0.85 (ASTM C 423, plenum depth 400 mm)	
Light reflection	81% (EN 410)		
Fire resistance surface	B, s2, d0 (EN 13501-1)		
Moisture resistance	Resistant up to 99% relative humidity		
Fungal resistance	Resistant (ASTM C 1338)		
Panel weight	1.3 kg/m ²		
Formaldehyde content	Coatings, binders and fibres are formaldehyde-free		

*Other sizes and test result are available on request.



TECHSTYLE® CEILINGS' ENVIRONMENTAL BENEFITS

No VOC's (Volatile Organic Compounds), preserves IAQ (indoor air quality)

10% recycled content

Durable panels ensure long product lifespan and maximize sustainability

Lightweight product (1.3 kg/m²) means less landfill waste at end of product life 100% recyclable

HUNTER DOUGLAS ARCHITECTURAL PRODUCTS

In the last 50 years, we've been fortunate enough to help turn countless innovative sketches into innovative buildings.



Architects, designers, investors and contractors from around the world have taken advantage of Hunter Douglas' unmatched product development, service and support. Chances are, you've seen more of Hunter Douglas than you think.

With major operation centres in Europe, North America, Latin America, Asia and Australia, we've contributed to thousands of high-profile projects, from retail and commercial facilities to major transit centres and government buildings.

Not only are the world's architects and designers our partners, they're our inspiration. They continue to raise the bar for excellence. We create products that help bring their visions to life: Window Coverings, Ceilings, Sun Control Systems and Façades.



Promoting sustainable
forest management
www.pefc.org



Hunter Douglas products and solutions are designed to improve indoor environmental quality and conserve energy, supporting built environments that are comfortable, healthy, productive, and sustainable.



Sponsored by
HunterDouglas

ARCHITECTURAL SERVICES

We support our business partners with a wide range of technical consulting and support services for architects, developers and installers. We assist architects and developers with recommendations regarding materials, shapes and dimensions and colours and finishes. We also help creating design proposals, visualisations and mounting drawings. Our services to installers range from providing detailed installation drawings and instructions to training installers and advising on the building site.



Techstyle[®]
ACOUSTICAL CEILING BY **HunterDouglas**

HunterDouglas



HUNTER DOUGLAS is a publicly traded company with activities in more than 100 countries with over 150 companies.

The origin of our company goes back to 1919, in Düsseldorf, Germany. Throughout our history, we have introduced innovations that have shaped the industry, from the invention of the continuous aluminium caster, to the creation of the first aluminium Venetian Blinds, to the development of the latest high-quality building products.

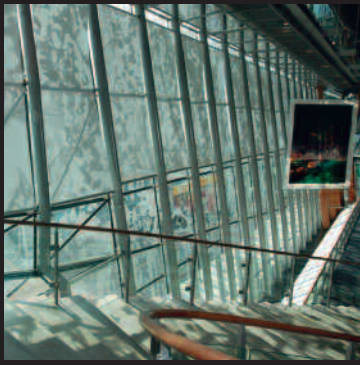
Today we employ more than 16,500 people in our companies with major operation centres in Europe, North America, Latin America, Asia and Australia.

Innovative Products Make Innovative Projects

© Registered trademark - a HunterDouglas® product Pats. & Pats. Pend. - Technical data subject to change without notice. © Copyright Hunter Douglas 2010. No rights can be derived from copy, text pertaining to illustrations or samples. Subject to changes in materials, parts, compositions, designs, versions, colours etc., even without notice. MX612T00

Learn More

- Contact our Sales office
- www.hunterdouglascontract.com



Austria
Belgium
Bulgaria
Croatia / Slovenia
Czechia
Denmark
France
Germany
Greece
Hungary
Ireland
Italy
Kazakhstan
the Netherlands
Norway
Poland
Portugal
Romania
Russia
Serbia
Slovakia
Spain
Sweden
Switzerland
Turkey
Ukraine
United Kingdom
Africa
Middle East

Asia
Australia
Latin America
North America

HUNTER DOUGLAS EUROPE B.V.
2, Piekstraat
P.O. Box 5072 - 3008 AB Rotterdam
The Netherlands
Tel. +31 (0)10 - 486 99 11
Fax +31 (0)10 - 484 79 10
www.hunterdouglascontract.com

HunterDouglas

WINDOW COVERINGS

CEILING

SUN CONTROL

FAÇADES