

T1 toilet partitions framed partition system



ceiling systems

partitioning systems

opening systems

flooring systems



Head Office / Durban
(031) 563 7307
Pietermaritzburg Branch
(033) 345 3701

For export and all other regions
contact our head office or
one of our distributors.

Distributors:

Zululand
Above All Ceiling & Partitioning Systems
(035) 751 1956
Northern KZN
SAIBA Industries (Pty)
(034) 375 6051/2
South Coast
Southgate Ceilings & Partitions
(039) 314 9021
East London & Border Area
Almex East London
(043) 736 6334
Port Elizabeth
Amalgamated
(041) 451 2846
Krugersdorp
Ceiling Dynamix
(011) 660 6584
Northriding, Johannesburg
C+T Ceilings & Partitions Warehouse
(011) 704 6224
Centurion, Pretoria
C+T Ceilings & Partitions warehouse
(012) 653 3531
Alrode, Johannesburg
Supertec Ceilings & Board
(011) 868 4901
Troyeville, Johannesburg
Supertec Ceilings & Board
087 943 4040
Wynberg, Johannesburg
Supertec Ceilings & Board
(011) 440 3712
Hamilton, Bloemfontein
Smart Boards (Pty) Ltd
(051) 430 8123

Visit our website on www.pelican.co.za
Email info@pelican.co.za



creating environments

The T1 system is constructed from various substrates encased in natural anodized aluminium channels and combined with functional accessories making it an aesthetically pleasing and cost effective alternative to brick construction. The cubicles can be used in public facilities such as washrooms, ablutions and change rooms.

They are available in a wide range of panel patterns and colours which are complemented by the slim aluminium framing.

Flexible and adaptable to any toilet cubicle configuration the T1 System also caters for the requirements of the disabled making this partitioning solution the number one choice for many installations. The T1 System, although modular as standard, can be adapted to various custom configurations and requirements.

Features and Benefits:

- Economical and quick to install
- Neat and hygienic
- Laminated both sides
- Aluminium framed edging and receiving channels
- Standard ironmongery
- Variety of colours and shades in Mellawood or Formica
- Functional and reliable

T1 Toilet Cubicle Construction

Infil Panels:

There are two aluminium frame channels available to cater for two different finished thicknesses;
A) Lipped Channel accommodates 16mm chipboard with either mellawood or melamine facing.
B) Un-lipped Channel accommodates 19mm formica clad chipboard. The formica clad chipboard is more durable of the two however it is more expensive.

Framing:

Intermediate and end partitions, doors and pilasters are neatly framed in 22 x 22mm aluminium lipped channel and mitred at corners.

Skirting :

44mm high aluminium skirtings are formed at the base of pilasters by fixing 22 x 22mm inverted channel to the floor before fixing the pilaster in position, this minimises possible water contact with the base of the pilaster.

Transom:

The system is stabilised with the 25mm square aluminium transom.

Junction at Walls:

In order to prevent gaps between uneven tiles, walls and the system, partitions and pilasters are fixed to the walls as follows:
A 26 x 24mm (22 x 22mm I.D.) full height aluminium receiving channel section is fixed vertically to the tiles or plastered brick wall. The intermediate or end partition/ pilaster – all complete with aluminium lipped channel surrounds (22 x 22mm O.D.) are then slotted into the full height receiving channel and fixed plumb.

Ironmongery to Doors:

Each door is supplied with a pair of satin finished hinges, indicator bolt and keep and hat and coat hook with rubber buffer which serves as a door stop. The pilaster frame against which the door strikes is fitted with two rubber buffers to prevent unnecessary metal on metal striking noise.

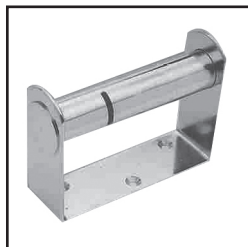
Ironmongery to Partitions:

Intermediate and end partitions are supplied with toilet roll holders.

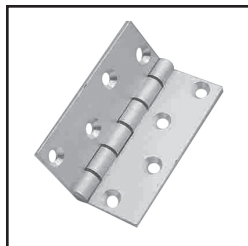
Cleaning Space:

The intermediate and end partitions are fixed 151mm above the finished floor level to allow easy cleaning.

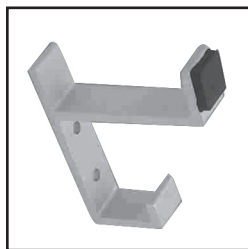
Non standard sizes can be made to measure, and door openings can be adapted for wheelchairs etc.



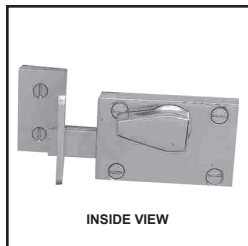
ANTI-THEFT TOILET ROLL HOLDER



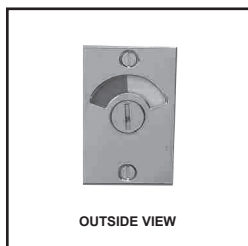
ALLUMINIUM HINGE WITH NYLON BRUSHES



HAT AND COAT HOOK WITH RUBBER BUFFER



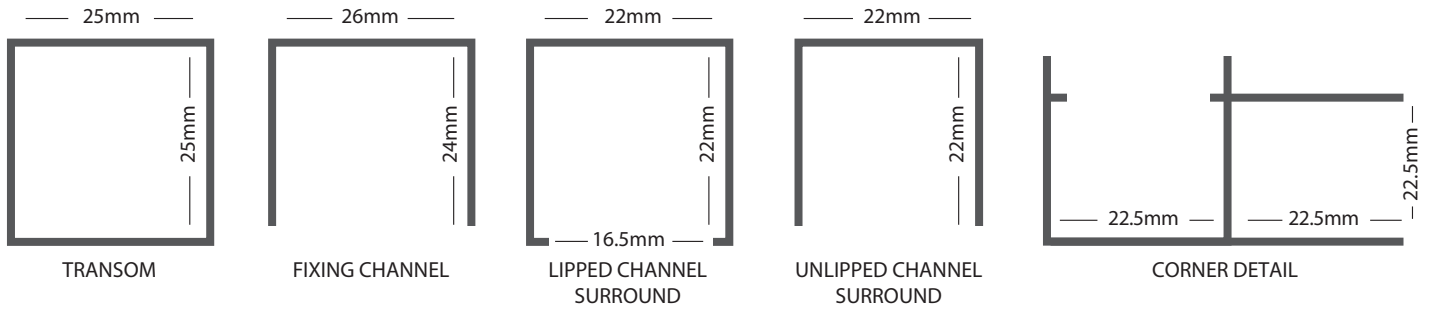
INSIDE VIEW



OUTSIDE VIEW

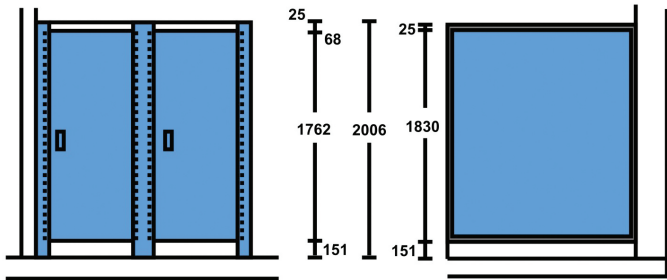
SATIN CHROME INDICATOR BOLT AND SPECIAL KEEP

ALUMINIUM CHANNELS

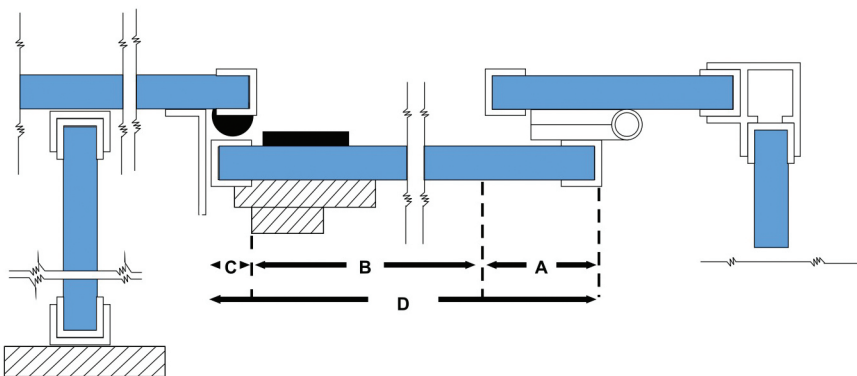
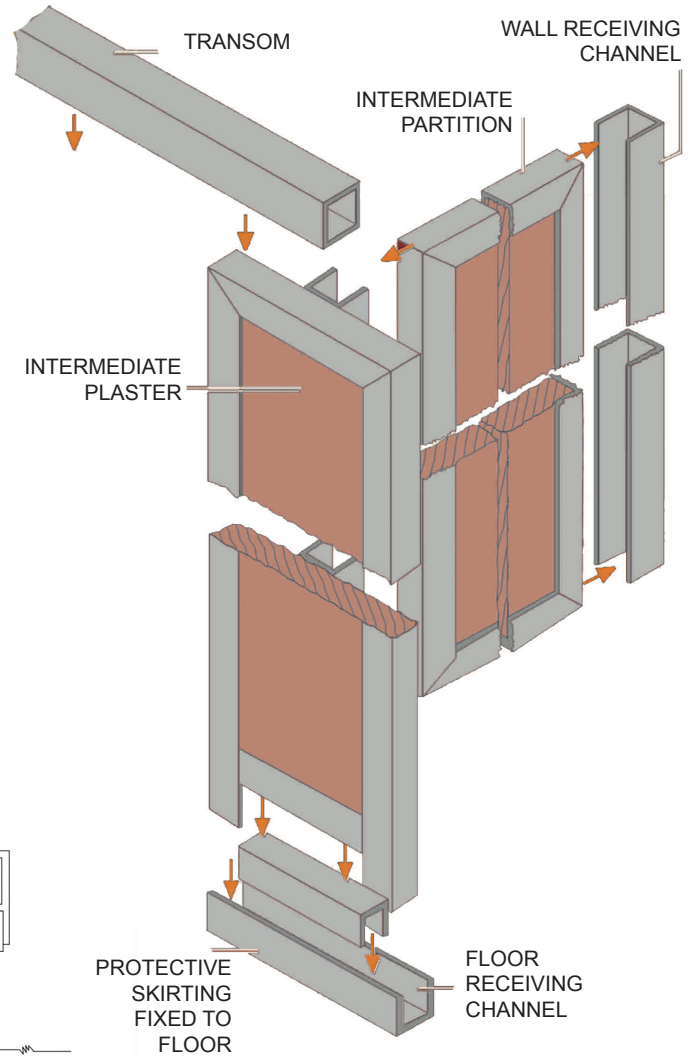
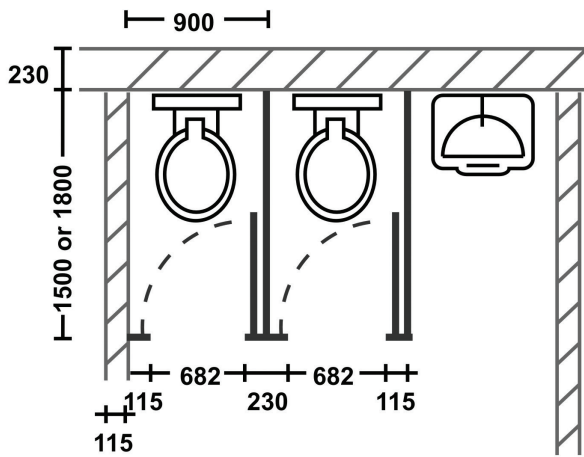


FRONT ELEVATION

END ELEVATION



PLAN



- D = DOOR SIZE
- A = 58mm (HINGE OVERLAP)
- C = 22mm (CLOSING OVERLAP)
- B = DOOR OPENING
- D = B (VARIES) + A(58 mm) + C (22mm)

Bill of quantity specification:

Supply and install Pelican Systems T1 Toilet Partition System comprising of 16mm thick particle board panels, laminated both sides with Melawood or Formica (specify colour), edged all round with 22 x 22mm lipped channel and fixed into position by means of full height vertical aluminium receiving channels fixed to the abutting wall, floor or pilaster. Pilasters and end partitions are stabilized by a continuous 25 x 25mm aluminium transom section over doors and supplied with a complete set of standard ironmongery comprising of indicator bolts, hat and coat hooks, door stops, toilet roll holders and rubber buffers. Aluminium surrounds, receiving channels and transom sections shall be (specify colour – natural anodised / colour anodised / colour powder coated).

*Note: Size variations are accommodated by adjusting the width of the doors